



HUNAN HANDA
VALVE CO., LTD
湖南翰达阀门有限公司



· 致力于为流体控制产业提供性能可靠、品质卓越的
阀门及相关流体控制产品和服务。

· Dedicated to providing valves of reliable performance and excellent quality and
related fluid control products and services for the fluid control industry.



湖南翰达
阀门有限公司

地址
湖南省澧县经济开发区
创新创业园10号楼1-2层

电话：0736-3249799
网址：www.handavalve.com
邮箱：info@handavalve.com

HUNAN HANDA
VALVE CO., LTD

Add:
1st-2nd Floor, No. 10 Pioneering Innovation Building,
economic development Zone, Li County, Hunan Province

Tel: +86 736-3249799
www.handavalve.com
info@handavalve.com



www.handavalve.com



服务热线 Service Hotline
1360-6072-028



扫一扫关注了解更多



个人咨询售后服务号

Gate Valves Series
闸阀系列

International Quality, Precise Control

HUNAN HANDA VALVE CO., LTD. is a professional high-tech manufacturer of valves and automatic control equipment integrating research, development, design, production, sale and service. With a land area of 26,800m², a construction area of 40000m², and 286 employees including 58 senior and intermediate technicians, our company has CAD and CAM research, development, design and manufacturing system and ERP enterprise resource planning system. With a registered capital of RMB 58.88 million Yuan, our company has 68 sets of machining centers, CNC machine tools and metal cutting and machining equipment, as well as physical and chemical testing equipment, nondestructive inspectors, spectrum analyzers, three-dimensional measuring machines and valve comprehensive performance testing equipment, with 25 sets for each type of equipment. Our company has obtained the ISO9001 international quality system certificate, API-6D, API607 and API6FA certificates, CE certificate, special equipment production license (TS) issued by the State Technical Supervision Bureau and network access certificates in relevant industries.

The high performance Triple-eccentric and double-eccentric butterfly valves are independently researched, developed and designed by our company and have been granted more than 7 national patents. Our company mainly produces 8 series of products totaling more than 1,500 varieties and specifications including ball valves, butterfly valves and etc. that are anti-wear and anti-corrosive working under high temperature, high pressure and high vacuum with high performances for petroleum, chemical industry, metallurgy, mine, biology, medicine, cryogenic industry, air separation, nuclear power, thermal power, hydropower, machinery, water supply, gas, and oil and gas transportation pipeline and long transportation pipeline and other projects. Nominal diameter DN15-3000mm(1/2" -120"), nominal pressure 1.6Mpa-42Mpa (150LB-2500LB), working temperature -196℃~750℃, valve materials: carbon steel, stainless steel, heat resistant alloy steel, Monel, cryogenic steel and other special steel. Driving modes include manual, electric, pneumatic, gear transmission, worm gear and worm transmission, pneumatic and hydraulic linkage, electric and hydraulic linkage, and computer automatic control system. The products are sold well throughout China and are exported to USA, Europe and other places in the world.



Zero Defect Process Is The Guarantee Of Reliable Performances Of Handa Products.

Strict supervision is the guarantee to product quality. It is our tenet to avoid the occurrence of any defect and prevent quality problem from damaging our brand. We have established a complete set of reasonable and orderly inspection procedures. Guided by the thoughts of "pursuing zero failure", we will never sell one unqualified product to clients. We believe that it not only means the responsibility for customers, but also for ourselves.



Gate Valves Series

闸阀系列

成套系统解决方案 Whole-set system solution

- 阀门驱动装置及配件可配套安装，统一提供。
- 可配套提供电动装置，蜗轮装置，双作用气动装置或弹簧回座气动装置，以及各种附件，包括限位装置，电磁阀和定位器。
- The valve actuator and accessories can be offered and installed.
- Electric actuator, worm gear actuator, dual action pneumatic actuator or spring return pneumatic actuator and various accessories including limit device, solenoid valve and positioner can be offered.



法兰闸阀
Flanged gate valve



国标闸阀
National standard gate valve



国标低温闸阀
National standard cryogenic gate valve



美标压力自密封楔式闸阀
American standard pressure self-sealing wedge gate valve



日标楔式闸阀
Japanese standard wedge gate valve



美标楔式闸阀
American standard wedge gate valve

HUNAN HANDA
VALVE CO., LTD

湖南翰达阀门有限公司



Devoted to providing valves of reliable performances and excellent quality and related fluid control products and services for the fluid control industry.

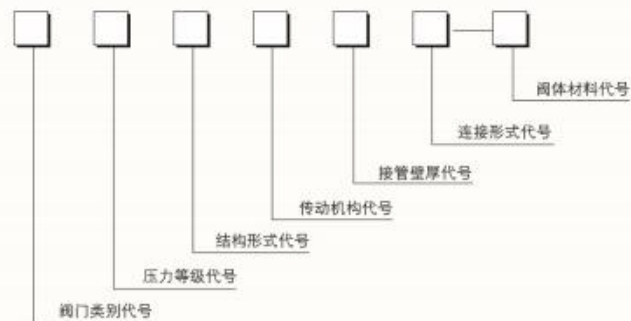
致力于为
流体控制产业
提供性能可靠、
品质卓越的阀门
及相关流体控制
产品和服务

CONTENTS

01	Cast steel gate valve model schedule illustration 闸阀型号编制说明
03	Flanged ends gb cast Steel gate valve 法兰连接 GB铸钢闸阀
12	Flanged & butt-welding ends api cast steel gate valve 法兰及对焊连接 API铸钢闸阀
13	Bolted bonnet api cast steel gate valve 栓盖结构 API铸钢闸阀
18	Pressure sealed api cast steel gate valve 压力密封结构 API铸钢闸阀
22	Cast steel ring joint gate valve 铸钢 钢圈闸阀
25	Forged steel gate valve 锻钢闸阀
29	Raised face integral steel pipe flange 凸面整体钢制管法兰
31	Male-female face integral steel pipe flange 凹凸面整体铸钢管法兰
33	Flat & raised face integral steel pipe flange 平面、凸面整体钢制管法兰
36	Integral steel pipe flange 整体钢制管法兰
38	Tables 附表
39	Butt-welding ends 对接焊端

Cast steel gate valve model schedule illustration

闸阀型号编制说明



★ 阀门类别代号 Z - 闸阀

★ 压力等级代号	2 - Class150 2a - 1.6MPa	3 - Class300 3a - 2.5MPa	4 - Class600 4a - 4.0MPa	5 - Class900 5a - 6.4MPa	6 - Class1500 6a - 10.0MPa	7 - Class2500 7a - 16.0MPa	8 - Class3000 8a - 25.0MPa
----------	-----------------------------	-----------------------------	-----------------------------	-----------------------------	-------------------------------	-------------------------------	-------------------------------

★ 结构形式代号	6 - BB-BG-Q56Y (螺栓连接阀盖, 螺栓连接压盖, 明杆支架式) 6R - BB-R-BG-Q56Y (螺栓连接阀盖, 环连接, 螺栓连接压盖, 明杆支架式) 8 - PS-BG-Q56Y (压力密封阀盖, 螺栓连接压盖, 明杆支架式)	1A - PS-SWING (Pressure bonnet/Swing type) 3 - WAFER-SWING (Wafer & Swing type)
----------	--	--

★ 传动机构代号	A - 电动	B - 气动	C - 伞齿轮传动 (手动略)
----------	--------	--------	-----------------

★ 接管壁厚代号

代号	壁厚	代号	壁厚	代号	壁厚
S1	SCH10	S4	SCH40	S7	SCH120
S2	SCH20	S5	SCH60	S8	SCH140
S3	SCH30	S6	SCH80	S9	SCH160

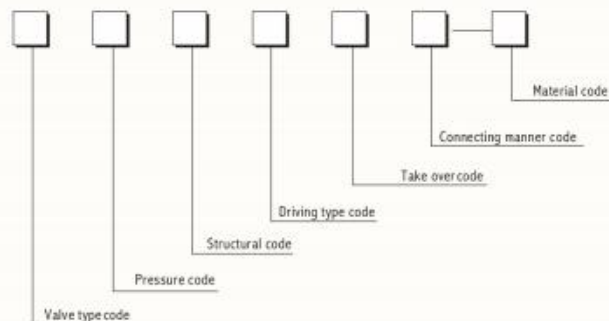
★ 连接形式代号	R - RF (凸面法兰连接)	J - RJ (环槽面法兰连接)	F - MF (凹凸面连接)	W - BW (对焊连接)
----------	-----------------	------------------	----------------	---------------

★ 阀体材料代号(国标材料代号与下列相应材料代号等同)

1) 铸造碳钢	CC10 - ASTM A216-WCB		
2) 铸造合金钢	CA20 - ASTM A217-WC1 CA23 - ASTM A217-C5	CA21 - ASTM A351-CF8M CA24 - ASTM A217-C12	CA22 - ASTM A217-WC9
3) 铸造不锈钢	CS30 - ASTM A351-CF8 CS33 - ASTM A351-CF3	CS31 - ASTM A351-CF8M CS34 - ASTM A351-CF3M	CS32 - ASTM A351-CF8C

Cast steel gate valve model schedule illustration

闸阀型号编制说明



★ Valve type code Z - Gate valve

★ Pressure code	2 - Class150 2a - 1.6MPa	3 - Class300 3a - 2.5MPa	4 - Class600 4a - 4.0MPa	5 - Class900 5a - 6.4MPa	6 - Class1500 6a - 10.0MPa	7 - Class2500 7a - 16.0MPa	8 - Class3000 8a - 25.0MPa
-----------------	-----------------------------	-----------------------------	-----------------------------	-----------------------------	-------------------------------	-------------------------------	-------------------------------

★ Structural code	6 - BB-BG-Q56Y (Bolted bonnet, Bolted gland, OS&Y) 6R - BB-R-BG-Q56Y (Bolted bonnet (Ring joint), Bolted gland, OS&Y) 8 - PS-BG-Q56Y (Pressure bonnet, Bolted gland, OS&Y)	1A - PS-SWING (Pressure bonnet/Swing type) 3 - WAFER-SWING (Wafer & Swing type)
-------------------	--	--

★ Driving type code	A - Electric driving	B - Air motor driving	C - Gear driving
---------------------	----------------------	-----------------------	------------------

★ Take over code

Code	Thickness	Code	Thickness	Code	Thickness
S1	SCH10	S4	SCH40	S7	SCH120
S2	SCH20	S5	SCH60	S8	SCH140
S3	SCH30	S6	SCH80	S9	SCH160

★ Connecting manner code	R - RF (Raised face)	J - RJ (Ring joint)	F - MF (Male-female face)	W - BW (Butt welded)
--------------------------	----------------------	---------------------	---------------------------	----------------------

★ Body material code

1) Cast carbon steel	CC10 - ASTM A216-WCB		
2) Cast alloy steel	CA20 - ASTM A217-WC1 CA23 - ASTM A217-C5	CA21 - ASTM A351-CF8M CA24 - ASTM A217-C12	CA22 - ASTM A217-WC9
3) Cast stainless steel	CS30 - ASTM A351-CF8 CS33 - ASTM A351-CF3	CS31 - ASTM A351-CF8M CS34 - ASTM A351-CF3M	CS32 - ASTM A351-CF8C

Flanged ends gb cast Steel gate valve

法兰连接 GB铸钢闸阀

产品结构特征

法兰连接铸钢闸阀适用于公称压力PN1.6~25.0MPa, 工作温度-46~600℃的石油、化工、火力电站等各种工况的管路上, 切断或接通管路介质。

其主要结构特点有:

1. 产品结构合理, 密封可靠, 性能优良, 造型美观。
2. 密封面堆焊Co基硬质合金, 耐磨、耐蚀、抗擦伤性能好、使用寿命长。
3. 阀杆经调质及表面氮化处理, 有良好的抗腐蚀性及抗擦伤性。
4. 阀门设有倒密封结构, 密封可靠。
5. 零件材质及法兰、对焊端尺寸可根据实际工况或用户要求合理选配, 满足各种工程需要。

Products design features

Flanged ends cast steel gate valve are used to cut or connect the pipe media under nominal pressure between PN 1.6-16.0MPa, working temperatures between -46-600 °C. In oil industry, chemical industry, fossil-fired power plants.

The main structure features include:

1. sensible products structure, reliable sealing, Excellent performance and good looking.
2. Co hard alloy welded sealing surface, which is wearing resistant, erosion proof, abrasion proof and long-lived.
3. The surface and the adjusting media of the valve shaft are nitrogenized so that it is erosion and abrasion resistant.
4. There is no backward sealing structure in the valve, so the sealing is reliable.
5. The material of the filling and the flange size can be chosen and matched according to the applications and the requirements of the use's. That can satisfies all kinds of working requirements.

产品规格 Products specification

型号 Model	压力 Pressure(MPa)	传动方式 Driving manner	公称通径范围 The Nominal size range(mm)
Z2aR	1.6	手动 (Hand operated)	DN15~1500
Z3aR	2.5	手动 (Hand operated)	DN15~1500
Z4aF	4.0	手动 (Hand operated)	DN15~800
Z5aF	6.4	手动 (Hand operated)	DN15~600
Z6aF	10.0	手动 (Hand operated)	DN40~500
Z7a(8)J	16.0	手动 (Hand operated)	DN40~300
Z8a(8)J	25.0	手动 (Hand operated)	DN50~250
Z2a6AR	1.6	电动 (Electric Driving)	DN40~1500
Z3a6AR	2.5	电动 (Electric Driving)	DN40~1500
Z4a6AF	4.0	电动 (Electric Driving)	DN40~800
Z5a6AF	6.0	电动 (Electric Driving)	DN40~600
Z6a6AF	10.0	电动 (Electric Driving)	DN40~500
Z7a6(8)AJ	16.0	电动 (Electric Driving)	DN40~300
Z8a6(8)AJ	25.0	电动 (Electric Driving)	DN50~250

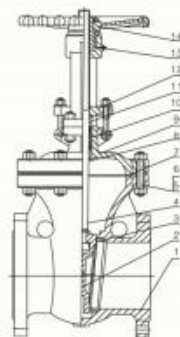
产品性能规范 Products performance specification

公称压力 (MPa) Nominal pressure	壳体试验压力 (MPa) Intensity test pressure	密封试验 (MPa) Sealing test	上密封试验 (MPa) Back seal test	气密封试验 (MPa) Air test pressure	温度 Temperature	适用介质 Medium
1.6	1.5 × PN	1.1 × PN	1.1 × PN	0.4~0.7MPa	≤600℃	石油、天然气、水、蒸汽、酸、碱、海水、盐水、以及腐蚀性介质。
2.5	1.5 × PN	1.1 × PN	1.1 × PN	0.4~0.7MPa	≤600℃	石油、天然气、水、蒸汽、酸、碱、海水、盐水、以及腐蚀性介质。
4.0	1.5 × PN	1.1 × PN	1.1 × PN	0.4~0.7MPa	≤600℃	石油、天然气、水、蒸汽、酸、碱、海水、盐水、以及腐蚀性介质。
6.4	1.5 × PN	1.1 × PN	1.1 × PN	0.4~0.7MPa	≤600℃	石油、天然气、水、蒸汽、酸、碱、海水、盐水、以及腐蚀性介质。
10.0	1.5 × PN	1.1 × PN	1.1 × PN	0.4~0.7MPa	≤600℃	石油、天然气、水、蒸汽、酸、碱、海水、盐水、以及腐蚀性介质。
16.0	1.5 × PN	1.1 × PN	1.1 × PN	0.4~0.7MPa	≤600℃	石油、天然气、水、蒸汽、酸、碱、海水、盐水、以及腐蚀性介质。
25.0	1.5 × PN	1.1 × PN	1.1 × PN	0.4~0.7MPa	≤600℃	石油、天然气、水、蒸汽、酸、碱、海水、盐水、以及腐蚀性介质。

注: PN为壳体材料在38℃时允许的额定工作压力
Note: PN is requested pressure for the body material under the 38°C.

Flanged ends gb cast Steel gate valve

法兰连接 GB铸钢闸阀



技术规范 Technical specification

结构形式 Structural formation	BB-BG-056V
驱动方式 Driving	手动、齿轮传动、电动 Hand-operated、Gear driving、Electric driving
设计标准 Design standard	GB/T 12234
结构长度 Face to face	GB/T 12221
连接法兰 Flanged ends	GB/T 9113、JB/T 79、HG 20592
试验和检验 Test & inspection	JB/T 9092、GB/T 13927

主要零件材质 Form of major parts materials

序号 No.	零件名称 Part name	材质 Material
1	阀体 Body	WCB, WC1, WC6, WC9, C508, CF8M, CF8C, CF3, CF3M
2	阀板 Wedge	WCB, WC1, WC6, WC9, C508, CF8M, CF8C, CF3, CF3M
3	阀座 Seat	25, 304, 105Mo 12G1Mo1V, 304
4	阀杆 Stem	1Cr13, 2Cr13, 1Cr18Ni9Ti, 0Cr18Ni12Mo2Ti, 20Cr1Mo1V, 25Cr2MoV
5	双头螺栓 Bolt	35CrMoA, 0Cr18Ni9, 0Cr17Ni12Mo2, 25Cr2MoV
6	螺母 Nut	45, 35CrMoA, 25Cr2MoV, 0Cr18Ni9, 0Cr17Ni12Mo2
7	垫片 Gasket	柔性石墨 Flexible Graphite & stainless steel
8	上密封座 Back seat	1Cr13, 2Cr13, 1Cr18Ni9Ti, 0Cr18Ni12Mo2Ti, 20Cr1Mo1V, 25Cr2MoV
9	阀盖 Bonnet	WCB, WC1, WC6, WC9, C508, CF8M, CF8C, CF3, CF3M
10	填料 Packing	柔性石墨 Flexible Graphite
11	填料压盖 Gland	1Cr13, 2Cr13, 1Cr18Ni9Ti, 0Cr18Ni12Mo2Ti
12	填料压盖 Gland flange	WCB, CF8, CF8M, CF8C, CF3, CF3M
13	阀杆螺母 Stem nut	铜合金 Copper alloy
14	手轮 Hand wheel	KTH330, QT400-17

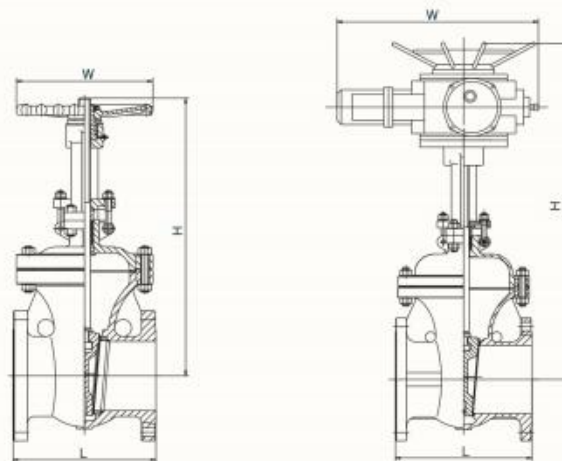
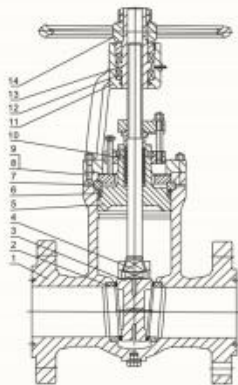
Flanged ends gb cast steel gate valve

法兰连接 GB铸钢闸阀



Flanged ends gb cast steel gate valve

法兰连接 GB铸钢闸阀



技术规范 Technical specification

结构形式 Structural formation	P5-BG-05BY
驱动方式 Driving	手动、齿轮传动、电动 Hand-operated, Gear driving, Electric driving
设计标准 Design standard	GB/T 12234
结构长度 Face to face	GB/T 12221
连接法兰 Flanged ends	GB/T 9113, JB/T 79, HG 20596
试验和检验 Test & inspection	JB/T 9092, GT/T 13927

*注：系列阀门连接法兰尺寸可根据用户要求设计制造。
Notes: The sizes of serial valve connecting flange can be designed according to customers' requirement.

主要零件材质 Form of major parts materials

序号 No.	零件名称 Part name	材质 Material
1	阀体 Body	WCB, WC1, WC6, WC9, CS, CF8, CF8M, CF8C, CF3, CF3M
2	阀座 Seat	Z5, 304, 1G5Mo, 12Cr1MoV, 304
3	闸板 Wedge	WCB, WC1, WC6, WC9, CS, CF8, CF8M, CF8C, CF3, CF3M
4	闸杆 Stem	1Cr13, 2Cr13, 1Cr18Ni9Ti, 0Cr18Ni12Mo2Ti, 20Cr1Mo1V, 25Cr2MoV
5	阀盖 Bonnet	WCB, WC1, WC6, WC9, CS, CF8, CF8M, CF8C, CF3, CF3M
6	密封圈 Seal ring	柔性石墨 Flexible Graphite
7	四合环 Tetra-cyclic ring	1Cr13, 2Cr13, 38CrMoAl
8	双头螺栓 Bolt	35CrMoA, 0Cr18Ni9, 0Cr17Ni12Mo2, 25Cr2MoV
9	螺母 Nut	45, 35CrMoA, 25Cr2MoV, 0Cr18Ni9, 0Cr17Ni12Mo2
10	填料 Packing	柔性石墨 Flexible Graphite
11	支架 Yoke	WCB, CF8, CF8M, CF8C, CF3, CF3M
12	轴承 Bearing	组合件 Assembled
13	闸杆螺母 Stem nut	铜合金 Copper alloy
14	手轮 Hand wheel	KTH330, QT400-17

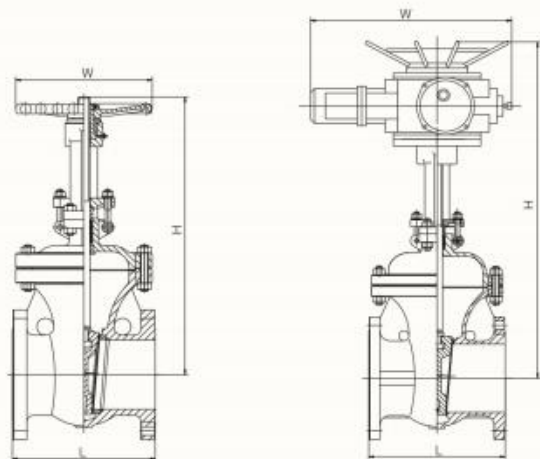
尺寸及重量 Size & weight

PN1.6MPa

型号 Model	Z2a6(A)R-CC10, Z2a6(A)R-CA20, Z2a6(A)R-CS30				重量 Weight	L	H	W	重量 Weight
	手动 Hand Operated		电动 Electric Driving						
口径 Size	L	H	W	重量 Weight	L	H	W	重量 Weight	
15	108	170	120	5	-	-	-	-	-
20	117	190	140	6.5	-	-	-	-	-
25	127	205	160	9	-	-	-	-	-
32	140	270	180	12	-	-	-	-	-
40	240	310	200	26.5	240	630	590	02W10A	87.5
50	250	358	240	29	250	678	590	02W10A	90
65	270	373	240	33	270	693	590	02W15A	96
80	280	435	280	45	280	755	590	02W20A	108
100	300	500	300	62	300	820	590	02W20A	126
125	325	614	320	106	325	934	590	02W30A	173
150	350	674	360	135	350	994	590	02W30A	199
200	400	818	400	193	400	1138	590	02W30A	254
250	450	969	450	273	450	1409	810	02W45A	310
300	500	1145	500	380	500	1588	810	02W60A	391
350	550	1280	550	590	550	1755	830	02W90	729
400	600	1452	600	850	600	1902	830	02W120	952
450	650	1541	650	910	650	2141	870	02W180	1168
500	700	1676	700	960	700	2276	870	02W250	1222
600	800	1874	800	1115	800	2474	870	02W250	1376
700	-	-	-	-	900	3046	1170	02W350	-
800	-	-	-	-	1000	3250	1170	02W500	-
900	-	-	-	-	1100	3509	1060	02W800	-
1000	-	-	-	-	1200	3873	1060	02W1000	-
1200	-	-	-	-	1500	4229	1060	02W1000	-
1500	-	-	-	-	1900	5501	1060	02W1000	-

Flanged ends gb cast steel gate valve

法兰连接 GB铸钢闸阀



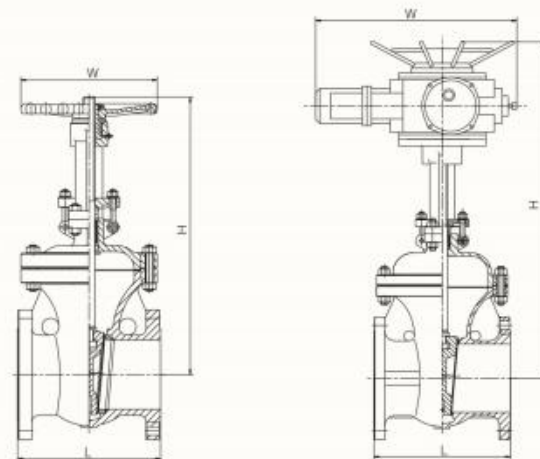
尺寸及重量 Size & weight

PN2.5MPa

型号 Model	Z3a6(A)R-CC10、Z3a6(A)R-CA20、Z3a6(A)R-CS30								
	手动 Hand Operated			电动 Electric Driving					重量 Weight
口径 Size	L	H	W	重量 Weight	L	H	W	电动装置 Electric Drive Device	
15	140	170	120	5.5	—	—	—	—	—
20	152	190	140	7	—	—	—	—	—
25	165	205	160	11	—	—	—	—	—
32	178	270	180	14	—	—	—	—	—
40	240	310	200	30	240	630	590	DZW10A	91
50	250	358	240	34	250	678	590	DZW10A	95
65	270	373	240	36	270	693	590	DZW15A	99
80	280	435	280	50	280	755	590	DZW20A	113
100	300	500	300	69	300	820	590	DZW20A	132
125	325	614	320	116	325	934	590	DZW30A	181
150	350	674	350	141	350	994	590	DZW30A	206
200	400	818	400	192	400	1138	590	DZW30A	257
250	450	969	450	207	450	1409	810	DZW45A	317
300	500	1145	500	400	500	1586	810	DZW60A	412
350	550	1280	550	631	550	1755	830	DZW90	750
400	600	1452	600	900	600	1902	830	DZW120	1042
450	650	1541	650	1013	650	2141	870	DZW180	1274
500	700	1676	700	1166	700	2276	870	DZW250	1420
600	800	1874	800	1258	800	2474	870	DZW250	1522
700	—	—	—	—	900	3046	1170	DZW350	—
800	—	—	—	—	1000	3250	1170	DZW500	—
900	—	—	—	—	1100	3509	1060	DZW800	—
1000	—	—	—	—	1200	3873	1060	DZW1000	—
1200	—	—	—	—	1500	4229	1060	DZW1000	—
1500	—	—	—	—	1900	5501	1060	DZW1000	—

Flanged ends gb cast steel gate valve

法兰连接 GB铸钢闸阀



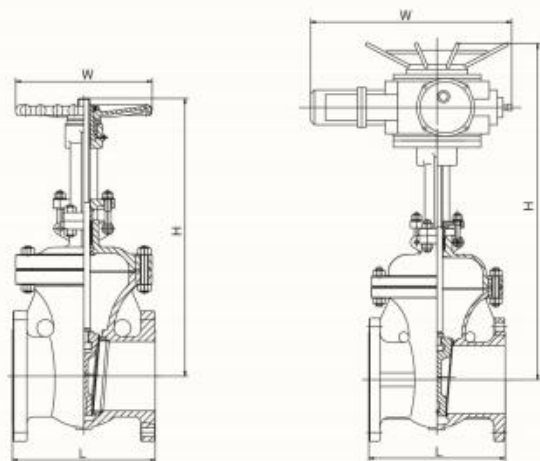
尺寸及重量 Size & weight

PN4.0MPa

型号 Model	Z4a6(A)F-CC10、Z4a6(A)F-CA20、Z4a6(A)F-CS30								
	手动 Hand Operated			电动 Electric Driving					重量 Weight
口径 Size	L	H	W	重量 Weight	L	H	W	电动装置 Electric Drive Device	
15	140	135	120	6	—	—	—	—	—
20	152	190	140	8	—	—	—	—	—
25	165	205	160	12	—	—	—	—	—
32	178	270	180	15	—	—	—	—	—
40	240	310	200	31	240	630	590	DZW10A	92
50	250	371	280	34	250	670	590	DZW10A	95
65	280	391	280	39	280	712	590	DZW15A	102
80	310	455	320	52	310	775	590	DZW20A	115
100	350	551	360	80	350	875	590	DZW20A	163
125	400	628	400	127	400	948	590	DZW20A	190
150	450	708	400	154	450	1030	590	DZW30A	219
200	550	885	460	263	550	1325	590	DZW45A	373
250	650	906	500	368	650	1400	810	DZW60A	480
300	750	1203	640	547	750	1655	830	DZW90	686
350	850	1341	640	679	850	1795	830	DZW120	821
400	950	1492	720	953	950	2093	870	DZW180	1214
500	—	—	—	—	1150	2645	870	DZW250	2150
600	—	—	—	—	1350	2865	1170	DZW350	—
700	—	—	—	—	1450	3450	1170	DZW500	—
800	—	—	—	—	1650	3920	1060	DZW800	—

Flanged ends gb cast steel gate valve

法兰连接 GB铸钢闸阀



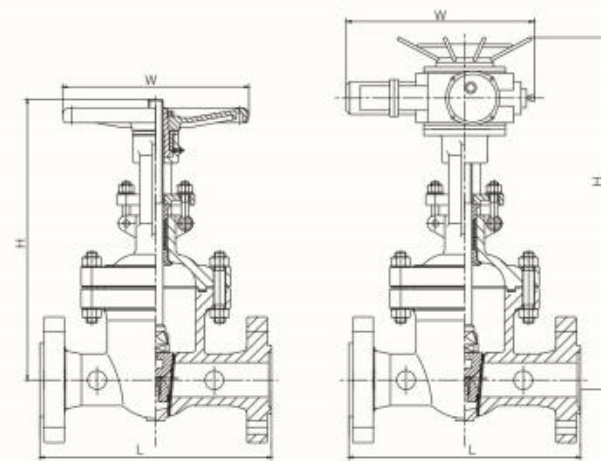
尺寸及重量 Size & weight

PN6.4MPa

型号 Model	Z5a6(A)F-CC10、Z5a6(A)F-CA20、Z5a6(A)F-CS30								
	手动 Hand Operated				电动 Electric Driving				
	口径 Size	L	H	重量 Weight	L	H	W	电动装置 Electric motor device	重量 Weight
15	140	140	100	7	-	-	-	-	-
20	152	140	100	9	-	-	-	-	-
25	165	215	180	12	-	-	-	-	-
32	178	270	180	16	-	-	-	-	-
40	240	345	200	32	240	665	590	DZW10A	93
50	250	470	200	39	250	790	590	DZW15A	102
65	280	520	250	43	280	840	590	DZW20A	106
80	310	570	300	60	310	890	590	DZW20A	123
100	350	700	300	89	350	1020	590	DZW30A	154
125	400	780	350	140	400	1100	590	DZW30A	205
150	450	850	350	207	450	1290	590	DZW45A	317
200	550	1035	400	325	550	1475	810	DZW60A	437
250	650	1050	560	467	650	1500	830	DZW90	606
300	750	1470	640	590	750	1820	830	DZW120	732
350	-	-	-	-	850	2216	870	DZW180	1110
400	-	-	-	-	950	2838	870	DZW250	1540
500	-	-	-	-	1150	3320	1170	DZW350	-
600	-	-	-	-	1350	3684	1170	DZW500	-

Flanged ends gb cast steel gate valve

法兰连接 GB铸钢闸阀



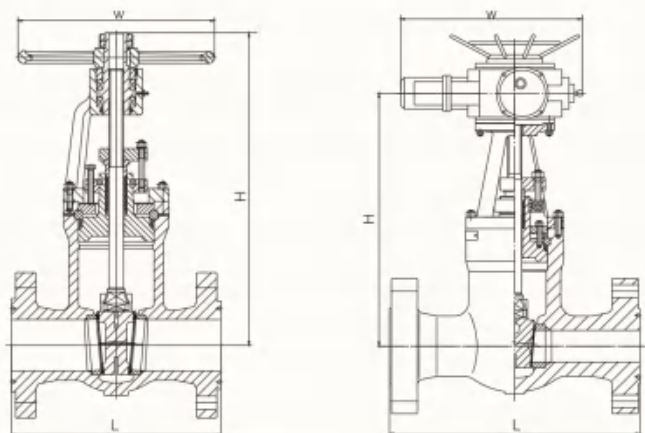
尺寸及重量 Size & weight

PN10.0MPa

型号 Model	Z6a6(A)F-CC10、Z6a6(A)F-CA20、Z6a6(A)F-CS30									
	手动 Hand Operated					电动 Electric Driving				
	口径 Size	L	H	W	重量 Weight	L	H	W	电动装置 Electric motor device	重量 Weight
40	240	360	320	50	240	680	590	DZW15A	113	
50	250	490	360	60	250	810	590	DZW20A	123	
65	280	540	400	70	280	860	590	DZW20A	133	
80	310	572	400	100	310	896	590	DZW30A	165	
100	350	573	400	110	350	1013	590	DZW45A	220	
125	400	744	560	180	400	1184	810	DZW60A	292	
150	450	800	560	250	450	1250	830	DZW90	389	
200	550	800	560	360	550	1250	830	DZW120	502	
250	650	1050	600	420	650	1650	870	DZW180	790	
300	750	1200	640	530	750	1800	870	DZW250	910	
350	-	-	-	-	850	2030	1170	DZW350	1610	
400	-	-	-	-	950	2250	1170	DZW500	2512	
500	-	-	-	-	1150	2550	1060	DZ800	3200	

Flanged ends gb cast steel gate valve

法兰连接 GB铸钢闸阀



尺寸及重量 Size & weight

PN16.0MPa

型号 Model	Z7aBJ-CC10, CA20, CS30				Z7aBJ-CC10, CA20, CS30				Z7aBAJ-CC10, CA20, CS30			
	L	H	W	重量 Weight	L	H	W	重量 Weight	L	H	W	重量 Weight
40	260	395	320	26	260	670	590	DZW15A	118			
50	300	612	360	73	300	832	590	DZW20A	136			
65	340	677	360	110	340	880	590	DZW30A	175			
80	390	686	400	141	390	905	590	DZW30A	206			
100	450	751	450	185	450	1071	590	DZW45A	295			
125	525	868	560	320	525	1163	810	DZW60A	432			
150	600	997	640	462	600	1170	830	DZW90	601			
200	750	1224	720	711	750	1440	830	DZW120	853			
250	-	-	-	-	850	1760	870	DZW180	1300			
300	-	-	-	-	950	2230	870	DZW250	1750			

尺寸及重量 Size & weight

PN25.0MPa

型号 Model	Z8aBJ-CC10, CA20, CS30				Z8aBJ-CC10, CA20, CS30				Z8aBAJ-CC10, CA20, CS30			
	L	H	W	重量 Weight	L	H	W	重量 Weight	L	H	W	重量 Weight
50	350	350	360	69	350	813	590	DZW30A	129			
65	410	410	400	90	410	855	590	DZW30A	154			
80	470	470	400	133	470	1016	590	DZW45A	233			
100	550	550	560	246	550	1099	810	DZW60A	348			
125	650	650	560	480	650	1160	830	DZW90	610			
150	750	750	640	700	750	1240	830	DZW120	840			
200	832	832	720	1075	832	1520	870	DZW180	1225			
250	991	991	800	1980	991	1680	870	DZW250	2130			

Flanged & butt-welding ends api cast steel gate valve

法兰及对焊连接 API铸钢闸阀



产品结构特征

API系列铸钢闸阀适用于Class150-2500,工作温度≤600°C的石油、化工、火力电站等各种工况的管路上,切断或接通管路介质。

其主要结构特点有:

1. 产品设计制造按API 600标准,结构合理,密封可靠,性能优良,造型美观。
2. 压力≥Class 600密封面堆焊Co基硬合金,耐磨、耐蚀、抗擦伤性能好,使用寿命长。
3. 阀杆经调质及表面氮化处理,有良好的抗腐蚀性及抗擦伤性。
4. 压力≥Class 900中腔采用自紧式密封结构,密封性随内压升高而升高,保证了密封的可靠性。
5. 阀门设有倒密封结构,密封可靠。
6. 零件材质及法兰、对焊端尺寸可根据实际工况或用户要求合理选配,满足各种工程需要。

Products design features

API cast steel gate valves are used to cut or connect the pipe media in Class 150-2500 and working temperatures ≤600°C, in oil industry, chemical industry, loss-fired power plants.

1. The products designs are in accordance with the API600 or API6D, with rational structure, reliable seal, excellent performance, and pretty appearance.
2. Co hard alloy welded sealing surface, with pressures ≥ Class600 which is wearing resistant, erosion proof, abrasion proof and long-lived.
3. The surface and the adjusting media of the valve shaft are nitrogenized so that it is erosion and abrasion resistant.
4. The central cavity with pressures ≥ Class900 adopts self-tightening sealing structure, which means that the sealing will rise with the intracavity pressure, and the sealing is highly reliable.
5. There is backseal sealing structure in the valve, so the sealing is reliable.
6. The material of the filling and the size of the flanged ends/butt-welding ends can be chosen and matched according to the applications and the requirements of the users. That can satisfy all kinds of working requirements.

产品规格 Products specification

型号 Model	压力等级 Class	传动方式&结构形式 Driving manner & structural Type	连接形式 Connecting Type	公称口径 Nominal size
Z2GRFS	150	手动、栓盖结构 Hand-operated & Bolted bonnet	法兰连接 Flanged ends	2"-36"
Z3GRFS	300			2"-24"
Z5GRFS	600			2"-24"
Z7LF5	900			2"-12"
Z2GRFS	150	电动、齿轮传动、栓盖结构 Electric or Gear driving & Bolted bonnet	法兰连接 Flanged ends	14"-48"
Z3GRFS	300			14"-48"
Z5A(C)RFS	600			6"-48"
Z7A(C)RFS	900			3"-18"
Z8A(C)RFS	1500			3"-16"
Z78IP5	900	手动、压力密封结构 Hand-operated & Pressure bonnet	法兰连接 Flanged ends	2"-6"
Z88IP5	1500			2"-4"
Z98IP5	2500			2"-4"
Z785(7)WPS	900	手动、压力密封结构 Hand-operated & Pressure bonnet	对焊连接 Butt-welding ends	2"-6"
Z885(7)WPS	1500			2"-4"
Z985WPS	2500			2"-4"
Z78A(C)RFS	900			
Z88A(C)RFS	1500	电动、齿轮传动、压力密封结构 Electric or Gear driving & Pressure bonnet	法兰连接 Flanged ends	3"-20"
Z98A(C)RFS	2500			6"-8"
Z78A(C)S7(1)WPS	900	电动、齿轮传动、压力密封结构 Electric or Gear driving & Pressure bonnet	对焊连接 Butt-welding ends	3"-20"
Z88A(C)S9(7)WPS	1500			3"-20"
Z98A(C)S9WPS	2500			6"-8"

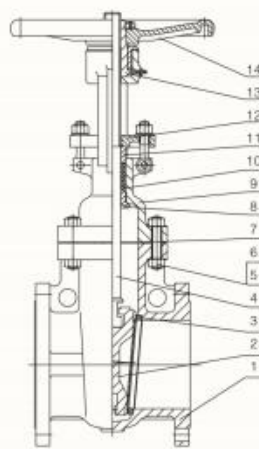
产品性能规范 Products performance specification

压力等级 Class	壳体试验压力 MPa Intensity test pressure	密封试验压力 MPa Sealing test pressure	上密封试验(MPa) Back seal test	气密封试验(MPa) Air test pressure	温度 Temperature	适用介质 Medium
150	1.5 × PN	1.1 × PN	1.1 × PN	0.4-0.7MPa	≤600°C	石油、天然气、水、蒸汽、空气、氨、酸、碱、有机溶剂、无机溶剂
300	1.5 × PN	1.1 × PN	1.1 × PN	0.4-0.7MPa	≤600°C	石油、天然气、水、蒸汽、空气、氨、酸、碱、有机溶剂、无机溶剂
600	1.5 × PN	1.1 × PN	1.1 × PN	0.4-0.7MPa	≤600°C	石油、天然气、水、蒸汽、空气、氨、酸、碱、有机溶剂、无机溶剂
900	1.5 × PN	1.1 × PN	1.1 × PN	0.4-0.7MPa	≤600°C	石油、天然气、水、蒸汽、空气、氨、酸、碱、有机溶剂、无机溶剂
1500	1.5 × PN	1.1 × PN	1.1 × PN	0.4-0.7MPa	≤600°C	石油、天然气、水、蒸汽、空气、氨、酸、碱、有机溶剂、无机溶剂
2500	1.5 × PN	1.1 × PN	1.1 × PN	0.4-0.7MPa	≤600°C	石油、天然气、水、蒸汽、空气、氨、酸、碱、有机溶剂、无机溶剂

注: PN为主体材料在38°C时允许的额定工作压力
Note: PN is requested pressure for the body material under the 38°C.

Bolted bonnet api cast steel gate valve

栓盖结构 API铸钢闸阀



技术规范 Technical specification

结构形式 Structural formation	BE-BG-D56Y
驱动方式 Driving	手动、齿轮传动、电动 Hand-operated、Gear driving、Electric driving
设计标准 Design standard	API 600
结构长度 Face to face	ASME B16.10、MS-SP-44
连接法兰 Flanged ends	ASME B16.5、ASME B16.47
试验和检验 Test & inspection	API 600、API 598、ISO 5208

*注：系列闸门连接法兰尺寸可根据用户要求设计制造。
Notes: The sizes of serial valve connecting flange can be designed according to customers' requirement.

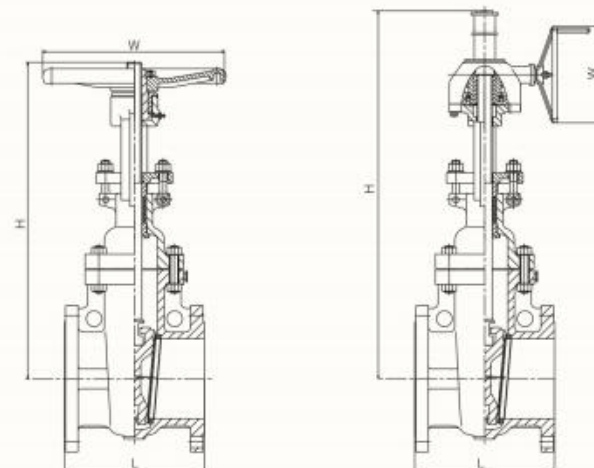
主要零件材质 Form of major parts materials

序号 No.	零件名称 Part name	材质 Material
1	阀体 Body	ASTM A216-WCB、ASTM A352-LCB、ASTM A217-WC1、WC6、WC9、CSASTM A351-CF8、CF8M、CF8C、CF3、CF3M
2	闸板 Wedge	ASTM A216-WCB、ASTM A352-LCB、ASTM A217-WC1、WC6、WC9、CS、ASTM A351-CF8、CF8M、CF8C、CF3、CF3M
3	闸盘 Seat	ASTM A105、ASTM A350-LF2、ASTM A182-F11、F22、F5、F9
4	闸杆 Stem	ASTM A182-F6a、ASTM A182-F22、ASTM A182-F304、F316、F321、F304L、F316L
5	双头螺栓 Bolt	ASTM A193-B7、A320-B8、A193-B8M、A193-L7
6	螺母 Nut	ASTM A194-2H、A194-8、A194-8M、A193-4
7	垫片 Gasket	柔性石墨+不锈钢 Graphite & stainless steel
8	上密封座 Back seat	ASTM A182-F6a、ASTM A182-F22、ASTM A182-F304、F316、F321、F304L、F316L
9	闸盖 Bonnet	ASTM A216-WCB、ASTM A352-LCB、ASTM A217-WC1、WC6、WC9、CS、ASTM A351-CF8、CF8M、CF8C、CF3、CF3M
10	填料 Packing	柔性石墨 Flexible Graphite
11	填料压套 Gland	ASTM A276-410、ASTM A276-304、316、321、304L、316L
12	填料压盖 Gland flange	ASTM A216-WCB、ASTM A351-CF8、CF8M、CF8C、CF3、CF3M
13	闸杆螺母 Stem nut	ASTM A429-D2C
14	手轮 Hand wheel	ASTM A47-32510



Bolted bonnet api cast steel gate valve

栓盖结构 API铸钢闸阀

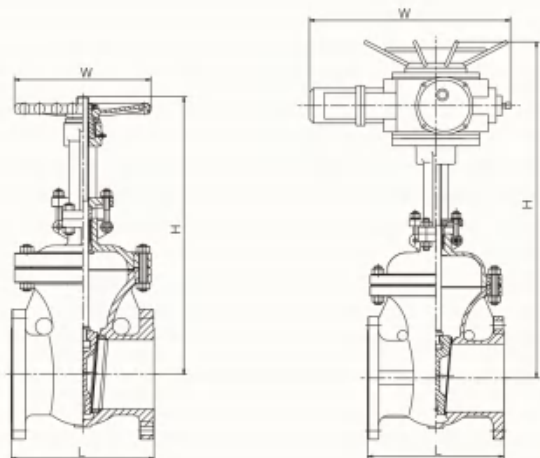


尺寸及重量 Size & weight

Class 150

型号 Model	Z26(C)R-CC10、CA20、CS30								
	手动 Hand Operated				传动 Gear Driving				
口径 Size	L	H	W	重量 Weight	L	H	W	传动装置 Gear device	重量 Weight
2	178	360	200	22	-	-	-	-	-
2 1/2	190	410	200	31	-	-	-	-	-
3	203	440	250	45	-	-	-	-	-
4	229	500	250	61	-	-	-	-	-
5	254	580	300	89	-	-	-	-	-
6	267	660	300	121	-	-	-	-	-
8	292	775	350	134	-	-	-	-	-
10	330	925	450	280	-	-	-	-	-
12	356	1100	500	321	-	-	-	-	-
14	381	1295	600	450	381	1651	310	BA-0	455
16	406	1435	600	605	406	1879	460	BA-1	645
18	432	1626	650	810	432	2184	460	BA-1	850
20	457	1829	650	880	457	2431	610	BA-2	950
24	508	2175	700	1490	508	2873	610	BA-2	1460
26	559	2235	750	1750	559	3086	610	BA-2	1830
28	610	2310	750	2010	610	3327	610	BA-2	2080
30	610	2695	800	2268	610	3606	610	BAA-3	2565
32	-	-	-	-	660	3708	610	BAA-3	3100
36	-	-	-	-	711	3924	610	BAA-3	3950
40	-	-	-	-	762	4318	610	BAA-3	4650
42	-	-	-	-	813	4546	610	BAA-3	5100
48	-	-	-	-	864	5181	610	BAA-3	6500
54	-	-	-	-	1016	5501	610	BAA-3	7900
60	-	-	-	-	1067	6066	610	BAA-3	9300

Bolted bonnet api
cast steel gate valve
栓盖结构 API铸钢闸阀

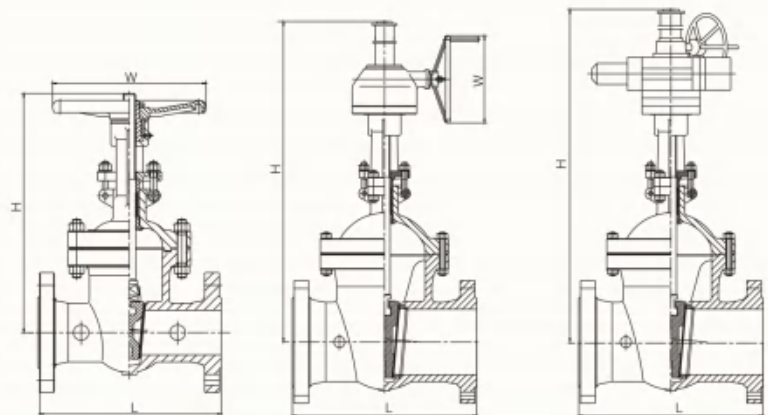


尺寸及重量 Size & weight

Class 300

型号 Model	Z36(C)R-CC10、CA20、CS30									
	手动 Hand Operated				齿动 Gear Driving					
口径 Size	L	H	W	重量 Weight	L	H	W	齿动装置 Gear Device	重量 Weight	
2	216	380	200	24	-	-	-	-	-	-
2 1/2	241	410	250	34	-	-	-	-	-	-
3	282	450	250	49	-	-	-	-	-	-
4	305	530	300	70	-	-	-	-	-	-
5	381	700	300	115	-	-	-	-	-	-
6	403	730	350	133	-	-	-	-	-	-
8	419	820	450	231	-	-	-	-	-	-
10	457	1010	500	329	-	-	-	-	-	-
12	502	1130	560	530	-	-	-	-	-	-
14	762	1489	600	730	762	1790	460	BA-1	850	
16	838	1580	650	930	838	1968	460	BA-1	1105	
18	914	2017	700	1250	914	2273	610	BA-2	1300	
20	991	2228	700	1520	991	2482	610	BA-2	1625	
24	1143	2650	750	2340	1143	3054	610	BA-2	2800	
26	-	-	-	-	1245	3219	610	BA-2	3100	
28	-	-	-	-	1346	3378	610	BAA-3	3600	
30	-	-	-	-	1397	3530	610	BAA-3	4200	
32	-	-	-	-	1524	3695	610	BAA-3	4850	
36	-	-	-	-	1727	3987	610	BAA-3	5900	
40	-	-	-	-	1955	4445	610	BAA-3	8100	
42	-	-	-	-	2032	4699	610	BAA-3	9750	
48	-	-	-	-	2966	5435	610	BAA-3	13050	

Bolted bonnet api
cast steel gate valve
栓盖结构 API铸钢闸阀

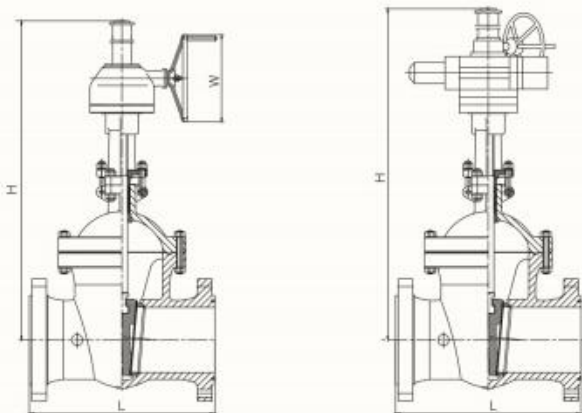


尺寸及重量 Size & weight

Class 600

型号 Model	Z56(A、C)R-CC10、CA20、CS30												
	手动 Hand Operated				齿动 Gear Driving					电动 Electric Driving			
口径 Size	L	H	W	重量 Weight	L	H	W	齿动装置 Gear Device	重量 Weight	L	H	额定扭矩 Torque	重量 Weight
2	292	425	250	42	-	-	-	-	-	292	550	200	112
2 1/2	330	485	300	62	-	-	-	-	-	330	600	200	135
3	356	510	300	85	-	-	-	-	-	356	660	300	194
4	432	610	400	120	-	-	-	-	-	432	780	300	223
5	508	700	450	176	-	-	-	-	-	508	850	400	296
6	559	820	500	230	559	840	310	BA-0	255	559	990	600	385
8	660	920	600	390	660	930	310	BA-0	418	660	1130	900	541
10	787	1080	600	620	787	1105	460	BA-1	674	787	1360	1200	816
12	838	1220	650	880	838	1220	460	BA-1	935	838	1520	1800	1090
14	889	1473	700	1350	889	1380	610	BA-2	1440	889	1730	2500	1560
16	991	1651	800	1700	991	1435	610	BA-2	1790	991	1840	3500	1950
18	1092	1727	800	2140	1092	1915	610	BA-2	2230	1092	2370	5000	2390
20	1194	2019	800	2450	1194	2095	610	BAA-3	2540	1194	2600	8000	2580
24	-	-	-	-	1397	2155	610	BAA-3	4550	1397	3160	12000	4580
26	-	-	-	-	1448	2271	610	BAA-3	5260	-	-	-	-
28	-	-	-	-	1549	2436	610	BAA-3	5960	-	-	-	-
30	-	-	-	-	1651	2577	610	BAA-3	6700	-	-	-	-
32	-	-	-	-	1778	2781	610	BAA-3	8312	-	-	-	-
36	-	-	-	-	2083	3113	610	BAA-3	10125	-	-	-	-
40	-	-	-	-	2149	3241	610	BAA-3	14300	-	-	-	-
42	-	-	-	-	2260	3572	610	BAA-3	16460	-	-	-	-
48	-	-	-	-	2667	4261	610	BAA-3	22900	-	-	-	-

Bolted bonnet api cast steel gate valve 栓盖结构 API铸钢闸阀



尺寸及重量 Size & weight

Class 900

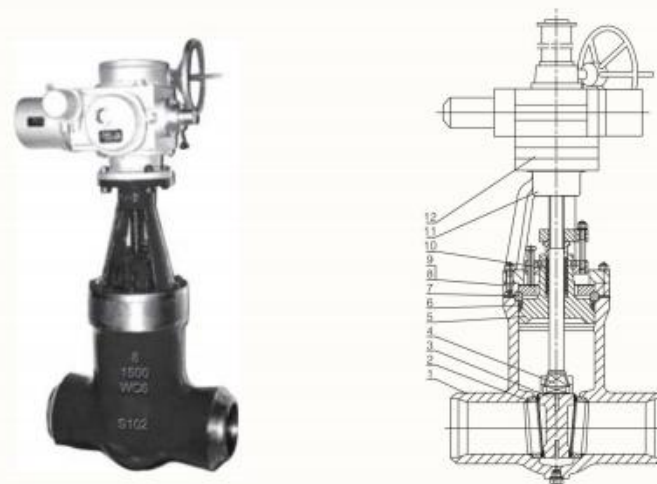
型号 Model	Z70(A, C)J-CC10, CA20, CS30												
	手动 Hand Operated			传动 Gear Driving				电动 Electric Driving					
口径 Size	L	H	W	重量 Weight	L	H	W	传动装置 Gear device	重量 Weight	L	H	转矩(N.m) Torque	重量 Weight
2	368	540	300	65	-	-	-	-	-	-	-	-	-
2 1/2	419	555	350	83	-	-	-	-	-	-	-	-	-
3	381	625	350	115	-	-	-	-	-	384	910	300	300
4	457	730	400	195	-	-	-	-	-	460	1020	450	325
6	610	860	600	410	610	895	460	BA-1	440	613	1060	900	570
8	737	930	600	720	737	1070	460	BA-1	720	740	1150	1200	885
10	838	1090	650	1090	838	1290	610	BA-2	1140	841	1320	1800	1300
12	965	1245	700	1625	965	1540	610	BA-2	1720	968	1580	2500	1870
14	-	-	-	-	1029	1620	610	BAA-3	2400	1038	1660	3500	2370
16	-	-	-	-	1130	1730	610	BAA-3	3040	1140	1780	5000	3010

尺寸及重量 Size & weight

Class 1500

型号 Model	Z80A(C)J-CC10, CA20, CS30									
	传动 Gear Driving				电动 Electric Driving					
口径 Size	L	H	W	传动装置 Gear device	重量 Weight	L	H	转矩(N.m) Torque	重量 Weight	
3	-	-	-	-	-	473	960	450	335	
4	-	-	-	-	-	549	1040	450	445	
6	705	1250	460	BA-1	640	711	1250	1800	785	
8	832	1600	460	BA-1	990	841	1600	1800	1140	
10	-	-	-	-	-	1000	1860	1800	1790	
12	-	-	-	-	-	1146	2150	2500	2810	
14	-	-	-	-	-	1276	2380	8000	4190	
16	-	-	-	-	-	1407	2580	12000	4970	

Pressure sealed api cast steel gate valve 压力密封结构 API铸钢闸阀



技术规范 Technical specification

结构形式 Structural formation	86-BG-050F
驱动方式 Driving	手动、齿轮传动、电动 Hand-operated, Gear driving, Electric driving
设计标准 Design standard	API 600
结构长度 Face to face	ASME B16.10
连接法兰 Flanged ends	ASME B16.5, MSS-SP-44
对焊缝 Buti-welding ends	ASME B16.25
试验和检验 Test & inspection	API 600, API 598, ISO 5208

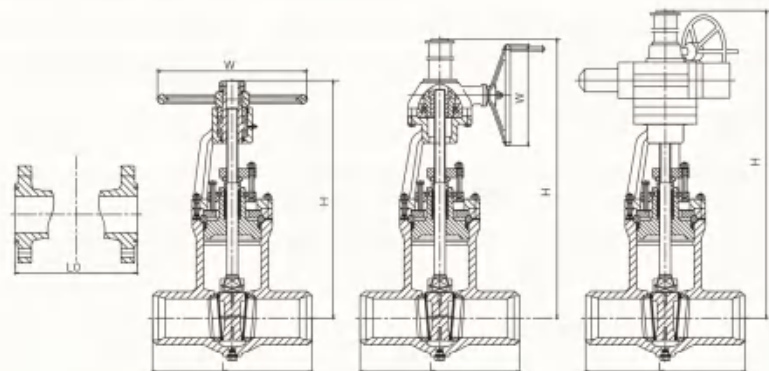
*注：系列阀门连接法兰尺寸可根据用户要求设计制造。
Notes: The sizes of serial valve connecting flange can be designed according to customers' requirement.

主要零件材质 Form of major parts materials

序号 No.	零件名称 Part name	材质 Material
1	阀体 Body	ASTM A216-WCB, ASTM A352-LCB, ASTM A217-WC1, WCB, WC9, C5, ASTM A351-F8, CF8M, CF8C, CF3, CF3M
2	阀座 Seat	ASTM A105, ASTM A350-LF2, ASTM A182-F11, F22, F5, F9
3	闸板 Wedge	ASTM A216-WCB, ASTM, ASTM A217-WC1, WCB, WC9, C5, ASTM A351-F8, CF8M, CF8C, CF3, CF3M
4	闸杆 Stem	ASTM A182-F6a, ASTM A182-F22, ASTM A182-F304, F316, F321, F304L, F316L
5	阀盖 Bonnet	ASTM A216-WCB, ASTM A352-LCB, ASTM A217-WC1, WCB, WC9, C5, ASTM A351-F8, CF8M, CF8C, CF3, CF3M
6	密封圈 Sealing ring	柔性石墨 Flexible Graphite
7	四合球 Tetraocyclic ring	ASTM A182-F6a, ASTM A182-F22
8	双头螺栓 Bolt	ASTM A193-B7, A320-B8, A193-B8M
9	螺母 Nut	ASTM A194-2H, A194-8, A194-8M
10	填料 Packing	柔性石墨 Flexible Graphite
11	支架 Yoke	ASTM A216-WCB, ASTM A351-F8, CF8M, CF8C, CF3, CF3M
12	驱动装置 Driving device	电动 Electric driving

Pressure sealed api cast steel gate valve

压力密封结构 API铸钢闸阀



尺寸及重量 Size & weight Class 900

型号 Model	Z78(A, C)J-CC10, CA20, CS30												
	法兰连接(Flanged ends) (RTJ)												
	手动 Hand Operated				齿轮 Gear Driving				电动 Electric Driving				
口径 Size	L0	H	W	重量 Weight	L0	H	W	重量 Weight	L	H	重量 Weight	重量 Weight	
2	371	550	250	88	-	-	-	-	-	-	-	-	-
3	384	605	350	105	-	-	-	-	384	975	300	142	-
4	460	750	400	140	-	-	-	-	460	1200	450	204	-
6	613	840	500	300	613	895	460	BA-1	350	613	1280	900	356
8	-	-	-	-	740	1370	460	BA-1	530	740	1372	1200	530
10	-	-	-	-	841	1495	610	BA-2	950	841	1495	1800	950
12	-	-	-	-	968	1830	610	BA-2	1400	968	1830	2500	1400
14	-	-	-	-	1038	2145	610	BA-2	2010	1038	2144	3500	1800
16	-	-	-	-	1140	2405	610	BAA-2	2700	1140	2406	5000	3000
20	-	-	-	-	1334	2750	610	BAA-2	4400	1334	2800	6500	3800

尺寸及重量 Size & weight Class 900

型号 Model	Z78(A, C)S7(1)W-CC10, CA20, CS30												
	对焊连接(Butt welding ends)												
	手动 Hand Operated				齿轮 Gear Driving				电动 Electric Driving				
口径 Size	L	H	W	重量 Weight	L0	H	W	重量 Weight	L	H	重量 Weight	重量 Weight	
2	216	550	250	68	-	-	-	-	-	-	-	-	-
3	305	605	350	85	-	-	-	-	305	975	300	135	-
4	356	750	400	102	-	-	-	-	356	1200	450	202	-
6	508	840	500	200	508	895	460	BA-1	280	508	1280	900	293
8	-	-	-	-	660	1370	460	BA-1	460	660	1372	1200	472
10	-	-	-	-	787	1495	610	BA-2	820	787	1495	1800	844
12	-	-	-	-	914	1830	610	BA-2	1150	914	1830	2500	1184
14	-	-	-	-	991	2145	610	BA-2	1500	991	2144	3500	1579
16	-	-	-	-	1092	2405	610	BAA-2	2100	1092	2406	5000	2136
20	-	-	-	-	1320	2750	610	BAA-2	3400	1320	2800	6500	3485

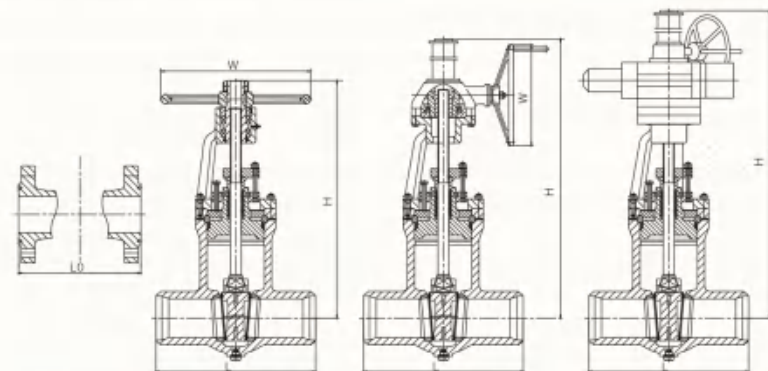
接管壁厚 Pipe thickness 2"-6" SCH120, 8"-20" SCH100

注: 配管尺寸可根据用户要求选定 Notes: The size of piping can be selected and allocated according to the requirement of users.



Pressure sealed api cast steel gate valve

压力密封结构 API铸钢闸阀



尺寸及重量 Size & weight Class 1500

型号 Model	Z88(A, C)J-CC10, CA20, CS30												
	法兰连接(Flanged ends) (RTJ)												
	手动 Hand Operated				齿轮 Gear Driving				电动 Electric Driving				
口径 Size	L0	H	W	重量 Weight	L0	H	W	重量 Weight	L	H	重量 Weight	重量 Weight	
2	371	590	300	100	-	-	-	-	-	-	-	-	-
3	473	711	350	130	-	-	-	-	473	736	450	210	-
4	549	774	450	200	-	-	-	-	549	831	450	290	-
6	-	-	-	-	711	1170	610	BA-2	544	711	1054	1800	560
8	-	-	-	-	841	1370	610	BA-2	825	841	1422	1800	980
10	-	-	-	-	1000	1655	610	BA-2	1375	1000	1714	1800	1470
12	-	-	-	-	1146	1810	610	BA-2	2085	1146	1905	2500	2220
14	-	-	-	-	1276	1981	610	BAA-2	2940	1276	1990	8000	2970
16	-	-	-	-	1407	2108	610	BAA-2	3790	1407	2210	12000	3900
20	-	-	-	-	1686	2387	610	BAA-2	5130	1686	2432	20000	5250

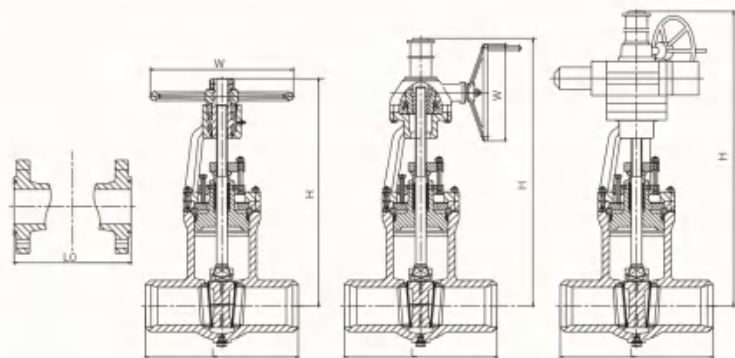
尺寸及重量 Size & weight Class 1500

型号 Model	Z88(A, C)J-CC10, CA20, CS30												
	对焊连接(Butt welding ends)												
	手动 Hand Operated				齿轮 Gear Driving				电动 Electric Driving				
口径 Size	L	H	W	重量 Weight	L0	H	W	重量 Weight	L	H	重量 Weight	重量 Weight	
2	216	550	250	89	-	-	-	-	-	-	-	-	-
3	305	620	350	110	-	-	-	-	305	736	450	185	-
4	406	750	400	180	-	-	-	-	406	831	450	268	-
6	-	-	-	-	559	1170	610	BA-2	370	559	1054	1800	472
8	-	-	-	-	711	1370	610	BA-2	610	711	1422	1800	754
10	-	-	-	-	864	1655	610	BA-2	1300	864	1714	1800	1411
12	-	-	-	-	991	1810	610	BA-2	2000	991	1905	2500	2133
14	-	-	-	-	1067	1981	610	BAA-2	2900	1067	1990	8000	2912
16	-	-	-	-	1194	2108	610	BAA-2	3490	1194	2210	12000	3516
20	-	-	-	-	1473	2387	610	BAA-2	4800	1473	2432	20000	4922

接管壁厚 Pipe thickness 2"-4" SCH160, 6"-20" SCH120

注: 配管尺寸可根据用户要求选定 Notes: The size of piping can be selected and allocated according to the requirement of users.

Pressure sealed api cast steel gate valve 压力密封结构 API铸钢闸阀



尺寸及重量 Size & weight Class 2500

型号 Model	Z98(A, C)J-CC10、CA20、CS30												
	法兰连接(Flanged ends) (RTJ)												
连接形式 Connecting manner	手动 Hand Operated			齿轮 Gear Driving					电动 Electric Driving				
传动方式 Driving	手动 Hand Operated			齿轮 Gear Driving					电动 Electric Driving				
口径 Size	L0	H	W	重量 Weight	L0	H	W	重量 Weight	重量 Weight	L	H	重量 Weight	
2	454	570	450	185	-	-	-	-	-	-	-	-	
3	584	596	500	215	-	-	-	-	-	584	654	500	315
4	683	698	600	335	-	-	-	-	-	683	781	500	445
6	-	-	-	-	927	876	610	BAA-2	890	927	977	1800	970
8	-	-	-	-	1038	1493	610	BAA-2	1420	1038	1523	1800	1520
10	-	-	-	-	1292	1600	610	BAA-2	2560	1292	1645	1800	2630
12	-	-	-	-	1445	1752	610	BAA-2	3740	1445	1802	2700	3823

尺寸及重量 Size & weight Class 2500

型号 Model	Z98(A, C)J-CC10、CA20、CS30												
	法兰连接(Flanged ends) (RTJ)												
连接形式 Connecting manner	手动 Hand Operated			齿轮 Gear Driving					电动 Electric Driving				
传动方式 Driving	手动 Hand Operated			齿轮 Gear Driving					电动 Electric Driving				
口径 Size	L0	H	W	重量 Weight	L0	H	W	重量 Weight	重量 Weight	L	H	重量 Weight	
2	279	502	450	11	-	-	-	-	-	-	-	-	
3	368	596	500	135	368	654	610	BA-2	203	368	683	500	199
4	457	698	600	215	457	781	610	BA-2	305	457	806	500	294
6	-	-	-	-	610	977	610	BAA-2	650	610	1024	1800	664
8	-	-	-	-	762	1493	610	BAA-2	900	762	1508	1800	924
10	-	-	-	-	914	1600	610	BAA-2	1600	914	1620	1800	1674
12	-	-	-	-	1041	1752	610	BAA-2	2300	1041	1790	2700	2312
14	-	-	-	-	1118	1879	610	BAA-2	3200	1118	1893	8000	3245
16	-	-	-	-	1245	1981	610	BAA-2	4100	1245	1997	10000	4112
20	-	-	-	-	1397	2111	610	BAA-2	6800	1397	2355	20000	6867

接管壁厚 Pipe thickness

SCH160

注：配管尺寸可根据用户要求选定 Notes: The size of piping can be selected and allocated according to the requirement of users.



Cast steel ring joint gate valve 铸钢 钢圈闸阀

产品结构特征 Products design features

铸钢钢圈闸阀是公司根据多年来石化企业在回炼油、油浆、原料油等生产、运输管线中存在的阀门连接处外漏其主要结构特点有：

1. 产品结构合理、密封可靠、性能优良、造型美观。
2. 密封面堆焊Co基硬质合金，耐磨、耐蚀、抗磨伤性能好、使用寿命长。
3. 阀杆经调质及表面氮化处理，有良好的抗腐蚀性及抗磨伤性。
4. 中法兰及左右法兰连接处都采用金属环连接方式，确保阀门在高温高压工况下达到无渗漏。
5. 阀门设有倒密封结构，密封可靠。
6. 零件材质及法兰尺寸可根据实际工况或用户要求合理选配，满足各种工程需要。

Cast steel ring joint gate valve is a kind of non-standard gate valve which is developed by our company to solve the long-standing problem of valve leakage at connecting section of return oil, thick oil and raw material oil delivery and production pipes. It's particularly fit for the stage with temperature change and violent vibration. The main structure features include

1. Sensible products structure, reliable sealing. Excellent performance and good looking.
2. Co hard alloy welded sealing surface, which is wearing resistant erosion proof, abrasion proof and long-lived.
3. The surface and the adjusting media of the valve shaft are nitrogenized so that it is erosion and abrasion resistant.
4. The middle flange, left flange and right flange all adopt metal ring connection, which effectively ensures that valves will not leak at the high-temperature or high pressure work condition.
5. There is no backward sealing structure in the valve, so the sealing is reliable.
6. The material of the flange size can be chosen and matched according to the applications and the requirements of the users. That can satisfy all kinds of working requirements.

产品规格 Products specification

型号 Model	压力 Pressure(MPa)	传动方式 Driving manner	公称通径范围 The nominal size range(mm)
Z3a6l	2.5	手动 Hand operated	DN50~400
Z4a6l	4.0		DN50~400
Z5a6l	6.4		DN50~400
Z3a6A(C)J	2.5	齿轮传动、电动 Gear operated、Electric Driving	DN50~400
Z4a6A(C)J	4.0		DN50~400
Z5a6A(C)J	6.4		DN50~400

产品性能规范 Products performance specification

公称压力(MPa) Nominal Pressure	壳体试验压力(MPa) Intensity test pressure	密封试验压力(MPa) Sealing test	上密封试验(MPa) Back seal test	气密封试验(MPa) Air test pressure	温度 Temperature	适用介质 Medium
2.5	1.5 × PN	1.1 × PN	1.1 × PN	0.4~0.7MPa	≤550℃	水、油、气 Water, oil, gas
4.0	1.5 × PN	1.1 × PN	1.1 × PN	0.4~0.7MPa	≤550℃	水、油、气 Water, oil, gas
6.4	1.5 × PN	1.1 × PN	1.1 × PN	0.4~0.7MPa	≤550℃	水、油、气 Water, oil, gas

注：PN为主体材料在38℃时允许的额定工作压力 Note: PN is requested pressure for the body material under the 38℃.

Cast steel ring joint gate valve

铸钢 钢圈闸阀



Cast steel ring joint gate valve

铸钢 钢圈闸阀

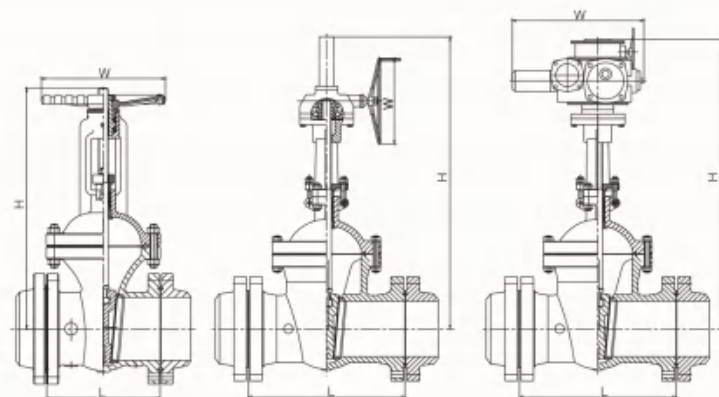
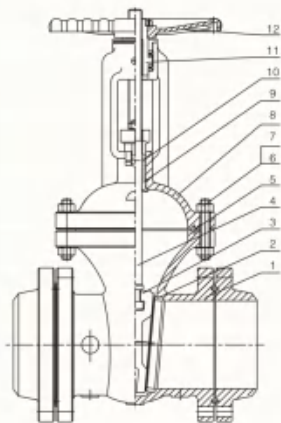
技术规范 Technical specification

结构形式 Structural formation	BB(R)-BG-050Y
驱动方式 Driving	手动、齿动、电动 Hand-operated, Gear-operated, Electric-driving
设计标准 Design standard	GB/T 12234
结构长度 Face to face	GB/T 12221
连接法兰 Flanged ends	GB/T 9113、JB/T 79、HG 20596
试验和检验 Test & inspection	JB/T 9092、GB/T 13927

注：系列阀门连接法兰尺寸可根据用户要求设计制造。
Notes: The sizes of serial valve connecting flange can be designed according to customers' requirement.

主要零件材质 Form of major parts materials

序号 No.	零件名称 Part name	材质 Material	
		GB	ASTM
1	阀体 Body	WCB、WC6、WC9、CF8、CF3	A216-WCB、A217-WC6、WC9、C5 A351-CF8、CF3、CF8M、CF3M、A352-LCB
2	阀座 Seat	25、12Cr1MoV	A105、A182-F11、F22、F5、F9
3	闸板 Wedge	WCB、WC6、WC9、CF8、CF3	A216-WCB、A217-WC6、WC9、C5 A351-CF8、CF3、CF8M、CF3M、A352-LCB
4	闸杆 Stem	1Cr13、20Cr1Mo1V1A、38CrMoAlA、304、316	A182-F6a、F22、F304 F316、F321、F304L、F316L
5	密封环 Sealing	08、0Cr13、0Cr18Ni9、0Cr17Ni12Mo2	Soft steel、A182-F6、 A182-F304、F316L
6	双头螺栓 Bolt	35CrMoA、25Cr2Mo1V、F304、F316	A193-B7、A320-B8、A193-B8M A193-L7
7	螺母 Nut	35、25CrMo1V、F304、F316	A194-2H、A194-8、A194-8M A194-4
8	阀盖 Bonnet	WCB、WC6、WC9、CF8、CF3、LCB	A216-WCB、A217-WC6、WC9、C5、C12 A351-CF8、CF3、CF8M、CF3M、A352-LCB
9	上密封座 Back seat	1Cr13、0Cr18Ni9	A182-F6a、A182-F304
10	填料 Packing	柔性石墨 Flexible Graphite	柔性石墨 Flexible Graphite
11	闸杆螺母 Stem nut	ZQ19-4	铜合金 Copper alloy
12	手轮 Hand wheel	QT400-17	A47-32510



尺寸及重量 Size & weight

2.5、4.0MPa

型号 Model	Z3(4)6R(A)、CJ-J-CC10、CA20、CS30														
	传动方式 Driving				手动 Hand Operated				齿动 Gear Driving				电动 Electric Driving		
口径 Size	L	H	W	重量 Weight	L	H	W	齿轮装置 Gear device	重量 Weight	L	H	W	转矩(N.m) Torque	重量 Weight	
50	232	371	280	28	-	-	-	-	-	232	670	590	DZW10A	85	
65	257	391	280	36	-	-	-	-	-	257	712	590	DZW15A	90	
80	298	455	320	46	-	-	-	-	-	298	775	590	DZW20A	102	
100	321	551	360	72	-	-	-	-	-	321	875	590	DZW20A	150	
125	397	628	400	117	-	-	-	-	-	397	948	590	DZW20A	182	
150	419	708	400	143	-	-	-	-	-	419	1030	590	DZW30A	198	
200	435	885	450	260	-	-	-	-	-	435	1325	590	DZW45A	360	
250	473	906	560	355	-	-	-	-	-	473	1400	810	DZW60A	468	
300	518	1203	640	530	-	-	-	-	-	518	1655	830	DZW90	668	
350	778	1341	640	660	778	1595	610	BA-1	710	778	1795	830	DZW120	802	
400	854	1492	720	630	854	1735	610	BA-1	980	854	2093	870	DZW180	1195	

尺寸及重量 Size & weight

6.4 Mpa

型号 Model	Z5a6R(A)、CJ-J-CC10、CA20、CS30														
	传动方式 Driving				手动 Hand Operated				齿动 Gear Driving				电动 Electric Driving		
口径 Size	L	H	W	重量 Weight	L	H	W	齿轮装置 Gear device	重量 Weight	L	H	W	转矩(N.m) Torque	重量 Weight	
50	295	470	200	41	-	-	-	-	-	295	665	590	DZW10A	110	
65	333	520	250	50	-	-	-	-	-	333	790	590	DZW15A	116	
80	359	570	300	66	-	-	-	-	-	359	840	590	DZW20A	135	
100	435	700	300	96	-	-	-	-	-	435	890	590	DZW20A	168	
125	511	780	350	146	-	-	-	-	-	511	1020	590	DZW30A	220	
150	562	850	350	217	-	-	-	-	-	562	1100	590	DZW30A	332	
200	664	1035	400	335	-	-	-	-	-	664	1290	810	DZW45A	450	
250	791	1050	560	485	-	-	-	-	-	791	1475	830	DZW60A	623	
300	841	1470	640	605	-	-	-	-	-	841	1500	830	DZW90	750	
350	-	-	-	-	892	1950	600	BA-1	1137	892	1820	870	DZW120	1128	
400	-	-	-	-	994	2230	600	BA-1	1715	994	2216	870	DZW180	1560	

Forged steel gate valve

锻钢闸阀

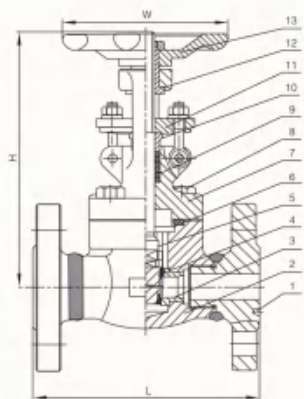


技术规范 Technical specification

结构形式 Structural formation	BB-BG-056Y (WB-BG-056Y)
驱动方式 Driving manner	手动 Hand-operated
设计标准 Design standard	API 602, BS 5352
结构长度 Structural length	ASME B16.10
连接法兰 Flanged ends	ASME B16.5
试验和检验 Test & inspection	API 598

主要零件材质 Form of major parts materials

序号 No.	零件名称 Accessory name	材质 Material
1	法兰 Flange	ASTM A105 A350-LF2 ASTM A182-F11, F22, F5, F9 ASTM A182-F304, F316, F321, F304L, F316L
2	阀体 Body	ASTM A105 A350-LF2 ASTM A182-F11, F22, F5, F9 ASTM A182-F304, F316, F321, F304L, F316L
3	阀座 Seat	ASTM A105 A350-LF2 ASTM A182-F11, F22, F5, F9 ASTM A182-F304, F316, F321, F304L, F316L
4	闸板 Wedge	ASTM A105 A350-LF2 ASTM A182-F11, F22, F5, F9 ASTM A182-F304, F316, F321, F304L, F316L
5	闸杆 Stem	ASTM A182-F6a, ASTM A182-F22 ASTM A182-F304, F316, F321, F304L, F316L
6	垫片 Gasket	柔性石墨 + 不锈钢 Graphite & stainless steel
7	阀盖 Bonnet	ASTM A105 A350-LF2 ASTM A182-F11, F22, F5, F9 ASTM A182-F304, F316, F321, F304L, F316 L
8	螺栓 Bolt	ASTM A193-B7, A320-B8, F321, F304L, F316 L
9	填料 Packing	柔性石墨 Flexible Graphite
10	填料压套 Gland	ASTM A182-F6a, ASTM A182-F22 ASTM A182-F304, F316, F321, F304L, F316L
11	填料压盖 Gland flange	ASTM A216-WCB ASTM A305-LF2 ASTM A351-CF8, CF8M, CF8C, CF3, CF3M
12	闸杆螺母 Stem nut	铜合金 Copper alloy
13	手轮 Hand wheel	ASTM A47-32510



尺寸及重量 Size & weight

Class 150, 300, 600

型号 Model	Z26(A)R(J)-C10, A20, S30					Z36(A)R(J)-C10, A20, S30					Z56(A)R(J)-C10, A20, S30								
	150					300					600								
Class	mm	15	20	25	32	40	50	15	20	25	32	40	50	15	20	25	32	40	50
Size	in	1/2	3/4	1	1 1/4	1 1/2	2	1/2	3/4	1	1 1/4	1 1/2	2	1/2	3/4	1	1 1/4	1 1/2	2
L (mm)	RF	108	117.5	127	140	165	178	140	152.5	165	178	190.5	216	165	190.5	216	229	241	292
	RTJ	119	130	140	153	178	216	151	165	178	191	203	232	163.5	190.5	216	229	241	295
H1 (mm)		160	165	192	220	245	285	160	165	192	220	245	285	160	165	192	220	245	285
W (mm)		100	100	125	160	160	180	100	100	125	160	160	180	100	100	125	160	160	180
重量 Weight (Kg)		4.5	5.1	8.5	11.5	11.2	20	4.8	6.2	9.4	14.2	15.5	23.5	5.8	7.5	10.3	16.3	17.5	28.4

注: ①H为阀门全开时的高度 Notes: H represents the height in full opening condition of valve.



Forged steel gate valve

锻钢闸阀

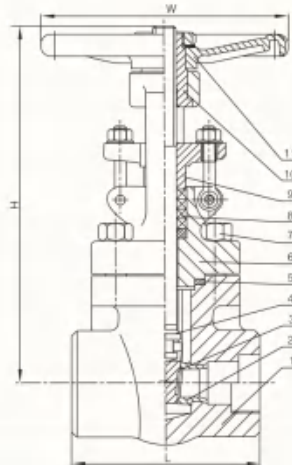


技术规范 Technical specification

结构形式 Structural formation	BB-BG-056Y (WB-BG-056Y)
驱动方式 Driving manner	手动 Hand-operated
设计标准 Design standard	API 602, BS 5352
螺纹端 Thread ends	ASME B1.20.1
承插焊端 Socket welded ends	ASME B16.11
试验和检验 Test & inspection	API 598

主要零件材质 Form of major parts materials

序号 No.	零件名称 Accessory name	材质 Material
1	阀体 Body	ASTM A105 ASTM A350-LF2 ASTM A182-F11, F22, F5, F9 ASTM A182-F304, F316, F321, F304L, F316
2	阀座 Seat	ASTM A105 ASTM A350-LF2 ASTM A182-F11, F22, F5, F9 ASTM A182-F304, F316, F321, F304L, F316
3	闸板 Wedge	ASTM A105 ASTM A350-LF2 ASTM A182-F11, F22, F5, F9 ASTM A182-F304, F316, F321, F304L, F316L
4	闸杆 Stem	ASTM A182-F6a, ASTM A182-F22 ASTM A182-F304, F316, F321, F304L, F316L
5	垫片 Gasket	柔性石墨 + 不锈钢 Graphite & stainless steel
6	阀盖 Bonnet	ASTM A105 ASTM A350-LF2 ASTM A182-F11, F22, F5, F9 ASTM A182-F304, F316, F321, F304L, F316
7	螺栓 Bolt	ASTM A193-B7, A320-B8, A193-B8M ASTM A193-L7
8	填料 Packing	柔性石墨 Flexible Graphite
9	填料压盖 Gland flange	ASTM A216-WCB ASTM A351-CF8, CF8M, CF8C, CF3, CF3M
10	闸杆螺母 Stem nut	铜合金 Copper alloy
11	手轮 Hand wheel	ASTM A47-32510



尺寸及重量 Size & weight

Class 800

型号 Model	Z66(A)SF-C10, A20, S30				Z66(A)TF-C10, A20, S30			
	800							
Class	800							
Size	细径mm(in) Reduced bore	15(1/2)	20(3/4)	25(1)	32(1 1/4)	40(1 1/2)	50(2)	
	全径mm(in) Full bore	10(3/8)	15(1/2)	20(3/4)	25(1)	32(1 1/4)	40(1 1/2)	50(2)
L (mm)	80	92	111	120	120	140	172	
H1 (mm)	160	165	192	220	245	285	392	
W (mm)	100	100	125	160	160	180	200	
重量 Weight (Kg)	1.9	2.1	3.2	6.9	6.9	10.4	15.8	

注: ①H为阀门全开时的高度 Notes: H represents the height in full opening condition of valve.

Forged steel gate valve

锻钢闸阀

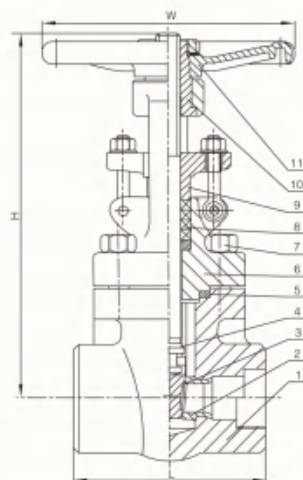


技术规范 Technical specification

结构形式 Structural formation	BB-BG-05&Y (WB-BG-05&Y)
驱动方式 Driving manner	手动Hand-operated
设计标准 Design standard	API 602、BS 5352
螺纹端 Thread ends	ASME B1.20.1
承插焊端 Socket welded ends	ASME B16.11
试验和检验 Test & inspection	API 598

主要零件材质 Form of major parts materials

序号 No.	零件名称 Accessory name	材质 Material
1	阀体 Body	ASTM A105 ASTM A350-LF2 ASTM A182-F11、F22、F5、F9 ASTM A182-F304、F316、F321、F304L、F316L
2	阀座 Seat	ASTM A105 ASTM A350-LF2 ASTM A182-F11、F22、F5、F9 ASTM A182-F304、F316、F321、F304L、F316L
3	闸板 Wedge	ASTM A105 ASTM A350-LF2 ASTM A182-F11、F22、F5、F9 ASTM A182-F304、F316、F321、F304L、F316L
4	阀杆 Stem	ASTM A182-F6a ASTM A182-F22 ASTM A182-F304、F316、F321、F304L、F316L
5	垫片 Gasket	柔性石墨 + 不锈钢 Graphite & stainless steel
6	阀盖 Bonnet	ASTM A105 ASTM A350-LF2 ASTM A182-F11、F22、F5、F9 ASTM A182-F304、F316、F321、F304L、F316L
7	螺栓 Bolt	ASTM A193-B7、A320-B8、A193-B8M
8	填料 Packing	柔性石墨 Flexible Graphite
9	填料压盖 Gland flange	ASTM A216-WCB ASTM A351-CF8、CF8M、CF8C、CF3、CF3M
10	阀杆螺母 Stem nut	铜合金 Copper alloy
11	手轮 Hand wheel	ASTM A47-32510



尺寸及重量 Size & weight

Class 1500

型号 Model	Z86(A)S-C10、A20、S30			Z86(A)T-C10、A20、S30			
Class	1500						
Size	缩径mm(in) Reduced bore	15(1/2)	20(3/4)	25(1)	32(1 1/4)	40(1 1/2)	50(2)
	全径mm(in) Full bore	10(3/8)	15(1/2)	20(3/4)	25(1)	32(1 1/4)	40(1 1/2)
L (mm)	111	111	115	120	140	162	180
H↑(mm)	203	203	216	235	275	320	368
W (mm)	125	125	160	160	180	200	250
重量 Weight(Kg)	4.2	4.6	6.2	8.2	11.0	15.8	24.5

注：①H为阀门全开时的高度 Notes: H represents the height in full opening condition of valve.

Forged steel gate valve

锻钢闸阀

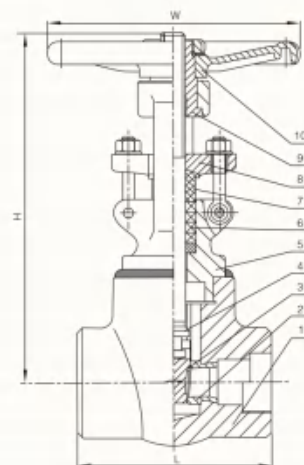


技术规范 Technical specification

结构形式 Structural formation	WB-BG-05&Y
驱动方式 Driving manner	手动Hand-operated
设计标准 Design standard	API 602、BS 5352
螺纹端 Thread ends	ASME B1.20.1
承插焊端 Socket welded ends	ASME B16.11
试验和检验 Test & inspection	API 598

主要零件材质 Form of major parts materials

序号 No.	零件名称 Accessory name	材质 Material
1	阀体 Body	ASTM A105 ASTM A350-LF2 ASTM A182-F11、F22、F5、F9 ASTM A182-F304、F316、F321、F304L、F316L
2	阀座 Seat	ASTM A105 ASTM A350-LF2 ASTM A182-F11、F22、F5、F9 ASTM A182-F304、F316、F321、F304L、F316L
3	闸板 Wedge	ASTM A105 ASTM A350-LF2 ASTM A182-F11、F22、F5、F9 ASTM A182-F304、F316、F321、F304L、F316L
4	阀杆 Stem	ASTM A182-F6a、ASTM A182-F22 ASTM A182-F304、F316、F321、F304L、F316L
5	阀盖 Bonnet	ASTM A105 ASTM A350-LF2 ASTM A182-F11、F22、F5、F9 ASTM A182-F304、F316、F321、F304L、F316L
6	填料 Packing	柔性石墨 Flexible Graphite
7	填料压盖 Gland	ASTM A182-F6a、ASTM A182-F22 ASTM A182-F304、F316、F321、F304L、F316L
8	填料压盖 Gland flange	ASTM A216-WCB ASTM A351-CF8、CF8M、CF8C、CF3、CF3M
9	阀杆螺母 Stem nut	铜合金 Copper alloy
10	手轮 Hand wheel	ASTM A47-32510



尺寸及重量 Size & weight

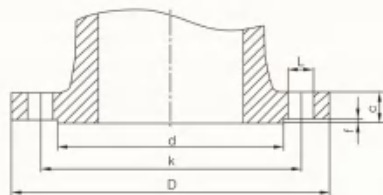
Class 2500

型号 Model	Z96(A)S-C10、A20、S30			Z96(A)T-C10、A20、S30			
Class	2500						
Size	缩径mm(in) Reduced bore	15(1/2)	20(3/4)	25(1)	32(1 1/4)	40(1 1/2)	50(2)
	全径mm(in) Full bore	10(3/8)	15(1/2)	20(3/4)	25(1)	32(1 1/4)	40(1 1/2)
L (mm)	111	127	127	127	140	210	230
H↑(mm)	185	215	245	276	276	340	405
W (mm)	125	140	160	160	180	200	240
重量 Weight(Kg)	5.2	5.5	7.4	9.5	9.8	19.5	29

注：①H为阀门全开时的高度 Notes: H represents the height in full opening condition of valve.

Raised face integral steel pipe flange

凸面整体钢制管法兰

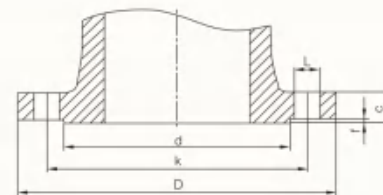


JB/T 79.1-94 PN1.6MPa

公称 口径 DN Nominal size	连接尺寸 Size ends					密封面尺寸 Sealing size		法兰 厚度 C Thickness of flange	法兰颈 Welding neck		
	法兰外径D 系列1/系列2 Outside diameter of flange series1/series2	螺栓孔中心 圆直径K Diameter of bolt Circle	螺栓孔直径L 系列1/系列2 Diameter of bolt holes series1/ series2	螺栓Bolt		d	f		Nmax	Smax	R
				数量n Number of bolts	螺纹Th. 系列1/系列2 Thread series1/ series2						
15	95	65	14	4	M12	45	2	14	39	12	4
20	105	75	14	4	M12	55	2	14	44	12	4
25	115	85	14	4	M12	65	2	14	49	12	4
32	140/135	100	18	4	M16	78	2	16	56	12	4
40	150/145	110	18	4	M16	85	3	16	64	12	4
50	165/160	125	18	4	M16	100	3	16	74	12	5
65	185/180	145	18	4	M16	120	3	18	95	15	5
80	200/195	160	18	8	M16	135	3	20	110	15	5
100	220/215	180	18	8	M16	155	3	20	130	15	5
125	250/245	210	18	8	M16	185	3	22	161	18	6
150	285/280	240	23	8	M20	210	3	24	186	18	6
(175)	310	270	23	8	M20	240	3	26	215	20	6
200	340/335	295	23	12	M20	265	3	26	240	20	6
(225)	365	325	23	12	M20	295	3	26	269	22	6
250	405	355	26/25	12	M24/M22	320	3	30	298	24	8
300	460	410	26/25	12	M24/M22	375	4	30	348	24	8
350	520	470	26/25	16	M24/M22	435	4	34	402	26	8
400	580	525	30	16	M27	485	4	36	456	28	10
450	640	585	30	20	M27	545	4	40	510	30	10
500	715/705	650	34	20	M30	608	4	44	564	32	10
600	840	770	36/41	20	M33/M36	718	5	48	672	36	10
700	910	840	36/41	24	M33/M36	788	5	50	776	38	12
800	1025/1020	950	41	24	M36	898	5	52	880	40	12
900	1125/1120	1050	41	28	M36	998	5	54	984	42	12
1000	1255	1170	42/48	28	M39/M42	1110	5	56	1084	42	12
1200	1485	1390	48/54	32	M45/M48	1325	5	58	1288	44	15
1400	1685	1590	48/54	36	M45/M48	1525	5	60	1492	46	15
1600	1930	1820	58	40	M52	1750	5	68	1704	52	15

Raised face integral steel pipe flange

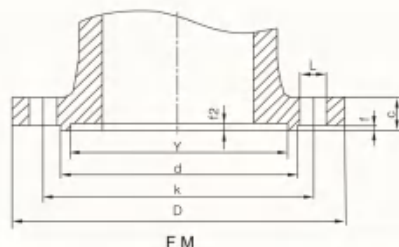
凸面整体钢制管法兰



JB/T 79.1-94 PN2.5MPa

公称 口径 DN Nominal size	连接尺寸 Size ends					密封面尺寸 Sealing size		法兰 厚度 C Thickness of flange	法兰颈 Welding neck		
	法兰外径D 系列1/系列2 Outside diameter of flange series1/series2	螺栓孔中心 圆直径K Diameter of bolt Circle	螺栓孔直径L 系列1/系列2 Diameter of bolt holes series1/ series2	螺栓Bolt		d	f		Nmax	Smax	R
				数量n Number of bolts	螺纹Th. 系列1/系列2 Thread series1/ series2						
15	95	65	14	4	M12	45	2	16	39	12	4
20	105	75	14	4	M12	55	2	16	44	12	5
25	115	85	14	4	M12	65	2	16	49	12	5
32	140/135	100	18	4	M16	78	2	18	62	15	5
40	150/145	110	18	4	M16	85	3	18	70	15	5
50	165/160	125	18	4	M16	100	3	20	80	15	5
65	185/180	145	18	8	M16	120	3	22	101	18	6
80	200/195	160	18	8	M16	135	3	22	116	18	6
100	230	190	23	8	M20	160	3	24	136	18	6
125	270	220	26/25	8	M24/M22	188	3	28	169	22	8
150	300	250	26/25	8	M24/M22	218	3	30	198	24	8
(175)	330	280	26/25	12	M24/M22	248	3	32	223	24	8
200	360	310	26/25	12	M24/M22	278	3	34	252	26	8
(225)	395	340	30	12	M27	302	3	36	281	28	8
250	425	370	30	12	M27	332	3	36	306	28	10
300	485	430	30	16	M27	390	4	40	360	30	10
350	555/550	490	34	16	M30	448	4	44	418	34	10
400	620/610	550	36/34	16	M33/M30	505	4	48	472	36	10
450	670/660	600	36/34	20	M33/M30	555	4	50	522	38	12
500	730	660	36/41	20	M33/M36	610	4	52	580	40	12
600	845/840	770	41	20	M36	718	5	56	684	42	12
700	960/955	875	42/48	24	M39/M42	815	5	60	792	46	12
800	1085/1070	990	48	24	M45/M42	930	5	64	896	48	15
900	1185/1180	1090	48/54	28	M45/M48	1025	5	66	1000	50	15
1000	1320/1305	1210	58	28	M52	1140	5	68	1104	52	18
1200	1520/1525	1420	58	32	M52	1350	5	72	1308	54	18
1400	1755/1750	1640	65	36	M56	1560	5	78	1516	58	18

Male-female face integral steel pipe flange 凹凸面整体铸钢法兰



JB/T 79.2-94 PN4.0MPa

公称 口径 DN	连接尺寸 Size ends					密封面尺寸 Sealing size			法兰 厚度 C	法兰颈 Welding neck					
	法兰外径D 系列1/系列2 Outside diameter of flange series1/ series2	螺栓孔中心 圆直径K Diameter of bolt Circle	螺栓孔直径L 系列1/系列2 Diameter of bolt holes series1/ series2	螺栓 Bolt 数量n Number of bolts	螺攻Th 系列1/系列2 Thread series1/ series2	d	X 系列1/ 系列2 Series1/ Series2	Y 系列1/ 系列2 Series1/ Series2		f	f1, f2	Thickness of flange	Nmax	Smax	R
15	95	65	14	4	M12	45	39	40	2	4	16	39	12	4	
20	105	75	14	4	M12	55	50	51	2	4	16	44	12	5	
25	115	85	14	4	M12	65	57	58	2	4	16	49	12	5	
32	140/135	100	18	4	M16	78	65	66	2	4	18	62	15	5	
40	150/145	110	18	4	M16	85	75	76	3	4	18	70	15	5	
50	165/160	125	18	4	M16	100	87	88	3	4	20	80	15	5	
65	185/180	145	18	8	M16	120	109	110	3	4	22	101	18	6	
80	200/195	160	18	8	M16	135	120	121	3	4	22	116	18	6	
100	235/230	190	23	8	M20	160	149	150	3	4.5	24	140	20	6	
125	270	220	26/25	8	M24	188	175	176	3	4.5	28	169	22	8	
150	300	250	26/25	8	M24/M22	218	203	204	3	4.5	30	198	24	8	
(175)	350	295	30	12	M27	258	233	234	3	4.5	34	231	28	10	
200	375	320	30	12	M27	282	259	260	3	4.5	38	256	28	10	
(225)	415	355	34	12	M30	315	286	287	3	4.5	40	285	30	10	
250	450/445	385	34	12	M30	345	312	313	3	4.5	42	314	32	10	
300	515/510	450	34	16	M30	408	363	364	4	4.5	46	368	34	12	
350	580/570	510	36/34	16	M33/M30	465	421	422	4	5	52	430	40	12	
400	660/655	585	41	16	M36	535	473	474	4	5	58	488	44	12	
450	685/680	610	41	20	M36	560	523	524	4	5	60	542	46	14	
500	755	670	42/48	20	M39/M42	612	575	576	4	5	62	592	46	15	
600	890	795	48/54	20	M45/M48	730	675/677	676/678	5	6	62	696	48	15	
700	995	900	48/54	24	M45/M48	835	777/767	778/768	5	6	68	804	52	18	
800	1140/1135	1030	58	24	M52	960	882/875	883/876	5	6	76	920	60	18	

Male-female face integral steel pipe flange 凹凸面整体铸钢法兰



JB/T 79.2-94												PN6.3MPa			
15	105	75	14	4	M12	55	39	40	2	4	18	45	15	4	
20	130/125	90	18	4	M16	68	50	51	2	4	20	52	16	5	
25	140/135	100	18	4	M16	78	57	58	2	4	22	61	18	5	
32	155/150	110	23	4	M20	82	65	66	2	4	24	68	18	5	
40	170/165	125	23	4	M20	95	75	76	3	4	24	80	20	5	
50	180/175	135	23	4	M20	105	87	88	3	4	26	90	20	5	
65	205/200	160	23	8	M20	130	109	110	3	4	28	111	23	6	
80	215/210	170	23	8	M20	140	120	121	3	4	30	128	24	6	
100	250	200	26/25	8	M24/M22	168	149	150	3	4.5	32	152	26	6	
125	295	240	30	8	M27	202	175	176	3	4.5	36	181	28	8	
150	345/340	280	34	8	M30	240	203	204	3	4.5	38	210	30	8	
(175)	370	310	34	12	M30	270	233	234	3	4.5	42	239	32	10	
200	405	345	36/34	12	M33/M30	300	259	260	3	4.5	44	268	34	10	
(225)	430	370	36/34	12	M33/M30	325	286	287	3	4.5	46	301	38	10	
250	470	400	36/41	12	M33/M36	352	312	313	3	4.5	48	326	38	10	
300	530	460	36/41	16	M33/M36	412	363	364	4	4.5	54	384	42	12	
350	600/595	525	41	16	M36	475	421	422	4	5	60	442	46	12	
400	670	585	42/48	16	M39/42	525	473	474	4	5	66	500	50	12	
500	800	705	48/54	20	M45/M48	640	575	576	4	5	70	610	55	18	
600	930	820	58	20	M52	750	675/677	676/678	5	6	76	720	60	18	

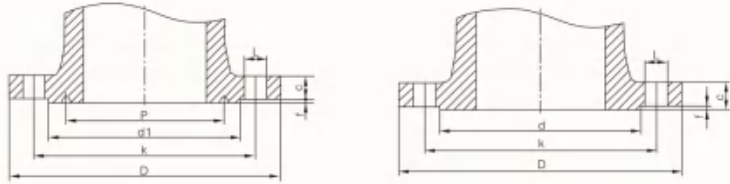
JB/T 79.2-94												PN10.0MPa			
15	105	75	14	4	M12	55	39	40	2	4	20	45	15	4	
20	130/125	90	18	4	M16	68	50	51	2	4	22	54	17	4	
25	140/135	100	18	4	M16	78	57	58	2	4	24	61	18	4	
32	155/150	110	23	4	M20	82	65	66	2	4	24	68	18	4	
40	170/165	125	23	4	M20	95	75	76	3	4	26	80	20	4	
50	195	145	26/25	4	M24/M22	112	87	88	3	4	28	94	22	4	
65	220	170	26/25	8	M24/M22	138	109	110	3	4	32	115	25	5	
80	230	180	26/25	8	M24/M22	148	120	121	3	4	34	132	26	5	
100	265	210	30	8	M27	172	149	150	3	4.5	38	160	30	5	
125	315/310	250	34	8	M30	210	175	176	3	4.5	42	189	32	6	
150	355/350	290	34	12	M30	250	203	204	3	4.5	46	222	36	6	
(175)	380	320	34	12	M30	280	233	234	3	4.5	48	251	38	8	
200	430	360	36/41	12	M33/M36	312	259	260	3	4.5	54	284	42	8	
(225)	470	400	41	12	M36	352	286	287	3	4.5	56	313	44	8	
250	505/500	430	41	12	M36	385	312	313	3	4.5	60	346	48	8	
300	585	500	42/48	16	M39/M42	442	363	364	4	4.5	70	408	54	10	
350	655	560	48/54	16	M45/M48	498	421	422	4	5	76	466	58	12	
400	715	620	48/54	16	M45/M48	558	473	474	4	5	80	520	60	12	

Flat & raised face integral steel pipe flange

平面、凸面整体钢制管法兰

Flat & raised face integral steel pipe flange

平面、凸面整体钢制管法兰



GB/T 9113.1-2000 PN1.6MPa 16bar

公称 通径 DN	连接尺寸 Size ends					密封面尺寸 Sealing size		法兰 厚度 C	法兰颈 Welding neck	
	法兰 外径D	螺栓孔中心 圆直径K	螺栓 孔直径L	螺栓 Bolt		d	l		N	R
				数量n	螺栓规格 Diameter of bolt					
10	90	60	14	4	M12	41	2	16	28	3
15	95	65	14	4	M12	46	2	16	32	3
20	105	75	14	4	M12	56	2	18	40	4
25	115	85	14	4	M12	65	2	18	50	4
32	140	100	18	4	M16	76	2	18	60	5
40	150	110	18	4	M16	84	2	18	70	5
50	165	125	18	4	M16	99	2	18	84	5
65	185	145	18	8	M16	118	2	18	104	6
80	200	160	18	8	M16	132	2	20	120	6
100	220	180	18	8	M16	156	2	20	140	6
125	250	210	18	8	M16	184	2	22	170	6
150	285	240	22	8	M20	211	2	22	190	8
200	340	295	22	12	M20	266	2	24	246	8
250	405	355	26	12	M24	319	2	26	296	10
300	460	410	26	12	M24	370	2	28	350	10
350	520	470	26	16	M24	429	2	30	410	10
400	580	525	30	16	M27	480	2	32	458	10
450	640	585	30	20	M27	548	2	40	516	12
500	715	650	33	20	M30	609	2	44	576	12
600	840	770	36	20	M33	720	2	54	690	12
700	910	840	36	24	M33	794	5	40	760	12
800	1025	950	39	24	M36	901	5	42	862	12
900	1125	1050	39	28	M36	1001	5	44	962	12
1000	1255	1170	42	28	M39	1112	5	46	1076	12
1200	1485	1390	48	32	M45	1328	5	52	1282	12
1400	1685	1590	48	36	M45	1530	5	58	1482	12
1600	1930	1820	55	40	M52	1750	5	64	1696	12

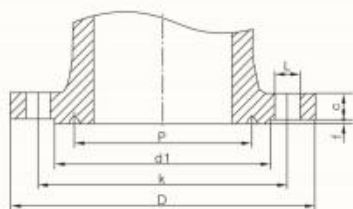
GB/T 9113.1-2000 PN2.5MPa 25bar										
10	90	60	14	4	M12	41	2	16	28	3
15	95	65	14	4	M12	46	2	16	32	3
20	105	75	14	4	M12	56	2	18	40	4
25	115	85	14	4	M12	65	2	18	50	4
32	140	100	18	4	M16	76	2	18	60	5
40	150	110	18	4	M16	84	2	18	70	5
50	165	125	18	4	M16	99	2	20	84	5
65	185	145	18	8	M16	118	2	22	104	6
80	200	160	18	8	M16	132	2	24	120	6
100	235	190	22	8	M20	156	2	24	142	6
125	270	220	26	8	M24	184	2	26	162	6
150	300	250	26	8	M24	211	2	28	192	8
200	360	310	26	12	M24	274	2	30	252	8
250	425	370	30	12	M27	330	2	32	304	10
300	485	430	30	16	M27	389	2	34	364	10
350	555	490	33	16	M30	448	2	38	418	10
400	620	550	36	16	M33	503	2	40	472	10
450	670	600	36	20	M33	548	2	46	520	12
500	730	660	36	20	M33	609	2	48	580	12
600	845	770	39	20	M36	720	2	58	684	12
700	960	875	42	24	M39	820	5	50	780	12
800	1085	990	48	24	M45	928	5	54	882	12
900	1185	1090	48	28	M45	1028	5	58	982	12
1000	1320	1210	55	28	M52	1140	5	62	1086	12
1200	1530	1420	55	32	M52	1350	5	70	1296	12
1400	1755	1640	60	36	M56	1560	5	76	1508	12
1600	1975	1860	60	40	M56	1780	5	84	1726	12

GB/T 9113.1-2000 PN4.0MPa 40bar										
10	90	60	14	4	M12	41	2	16	28	3
15	95	65	14	4	M12	46	2	16	32	3
20	105	75	14	4	M12	56	2	18	40	4
25	115	85	14	4	M12	65	2	18	50	4
32	140	100	18	4	M16	76	2	18	60	5
40	150	110	18	4	M16	84	2	18	70	5
50	165	125	18	4	M16	99	2	20	84	5
65	185	145	18	8	M16	118	2	22	104	6
80	200	160	18	8	M16	132	2	24	120	6
100	235	190	22	8	M20	156	2	24	142	6
125	270	220	26	8	M24	184	2	26	162	6
150	300	250	26	8	M24	211	2	28	192	8
200	375	320	30	12	M27	284	2	34	254	8
250	450	385	33	12	M30	345	2	38	312	10
300	515	450	33	16	M30	409	2	42	378	10
350	580	510	36	16	M33	465	2	46	432	10
400	660	585	39	16	M36	535	2	50	498	10
450	685	610	39	20	M36	560	2	57	522	12
500	755	670	42	20	M39	615	2	57	576	12
600	890	795	48	20	M45	735	2	72	686	12

Integral steel pipe flange 整体钢制管法兰



Tables 附表



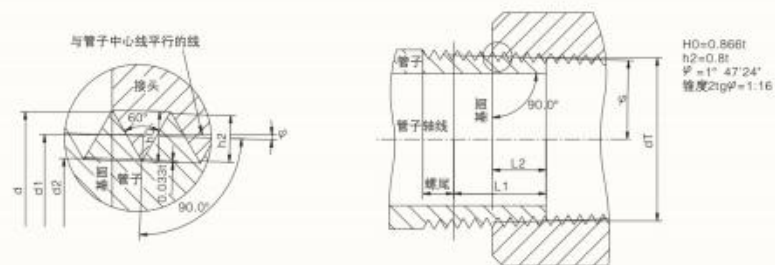
RTJ

CLASS 900 RTJ ASME B 16.5 ASME B 16.47

DN	D	K	L	螺孔 (螺孔- h)	d1	P	I	C
2	216	165.1	26	8-M24	124	95.25	8	38.5
2-1/2	244	190.5	29	8-M27	137	107.95	8	41.5
3	241	190.5	26	8-M27	168	123.82	8	38.5
4	292	234.9	32	8-M30	194	149.22	8	44.5
5	349	279.4	35	8-M33	229	180.98	8	51
6	381	317.5	32	12-M30	248	211.12	8	56
8	470	393.7	39	12-M36	318	269.88	8	63.5
10	545	469.9	39	16-M36	371	323.85	8	70
12	610	533.4	39	20-M36	438	381	11.13	79.5
14	640	558.8	42	20-M39	489	419.1	11.13	86
16	705	615.9	45	20-M42	546	469.9	12.7	89
18	785	685.8	51	20-M48	613	533.4	12.7	102
20	855	749.3	54	20-M52	673	584.2	15.88	108
24	1040	901.7	67	20-M64	794	692.15	17.48	140
26	1086	952.5	73	20-M70	832	749.3	17.48	140
28	1168	1022.4	79	20-M76	889	800.1	17.48	143
30	1232	1085.9	79	20-M76	946	857.25	17.48	149
32	1314	1155.7	86	20-M84	1003	914.4	17.48	159

CLASS 1500 RTJ ASME B 16.5

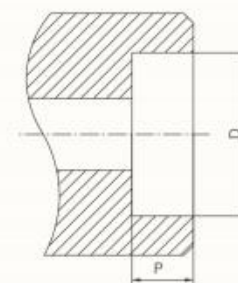
DN	D	K	L	螺孔 (螺孔- h)	d1	P	I	C
2	215	165	26	8-M24	92	95.25	7.92	38.5
2-1/2	245	190.5	29.5	8-M27	105	107.95	7.92	41.5
3	265	203	32.5	8-M30	127	136.52	7.92	48
4	310	241.5	35.5	8-M33	157	161.92	7.92	54
5	375	292	42	8-M39	186	193.68	7.92	73.5
6	395	317.5	39	12-M36	216	211.12	9.52	83
8	485	393.5	45	12-M42	270	269.88	11.13	92
10	585	482.5	51	12-M48	324	323.85	11.13	108
12	675	571.5	55	16-M52	381	381	14.27	124
14	750	635	60	16-M56	413	419.1	15.88	133.5
16	825	705	68	16-M64	470	469.9	17.48	146.5
18	915	774.5	74	16-M70	533	533.4	17.48	162
20	985	832	80	16-M76	584	584.2	17.48	178
24	1170	990.5	94	16-M90	692	692.15	20.62	203.5



锥管螺纹 National taper pipe thread

ASME B1.20.1

公称直径 Nominal Size	每英寸牙数 Threads Per Inch	螺距 Pitch of Thread	螺纹长度 Thread Length		基面上的螺纹直径 DIA. at Reference Surface			管端螺纹内径 Std. DIA. of the Pipe Thread	工作高度 Height	
in	mm	n	p	L1	L2	d	d1	d2	dT	h1
3/8	10	18	1.411	10.5	6.096	17.055	15.926	14.797	14.416	1.129
1/2	15	14	1.814	13.5	8.128	21.223	19.772	18.321	17.813	1.451
3/4	20	14	1.814	14	8.611	26.568	25.117	23.666	23.128	1.4851
1	25	11-1/2	2.209	17.5	10.160	33.228	31.461	29.694	29.059	1.767
1 1/4	32	11-1/2	2.209	18	10.668	41.985	40.218	38.451	37.784	1.767
1 1/2	40	11-1/2	2.209	18.5	10.668	48.054	46.287	44.520	43.853	1.767
2	50	11-1/2	2.209	19	11.074	60.092	58.325	56.558	55.866	1.767

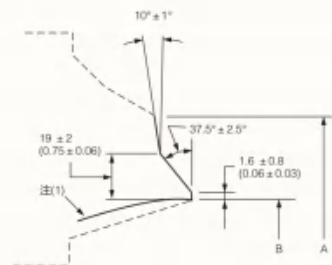
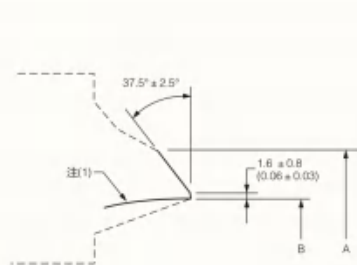


承插焊缝 Socket welded ends

ASME B16.11

公称直径 Nominal Size	in	3/8	1/2	3/4	1	1 1/4	1 1/2	2
mm	10	15	20	25	32	40	50	
D	mm	17.53	21.72	27.05	33.78	42.54	48.64	61.11
Pmin	mm	9.6	9.6	12.7	12.7	12.7	12.7	15.8

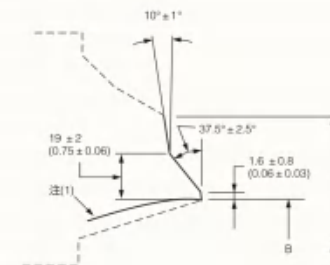
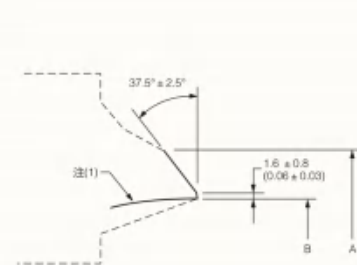
Butt-welding ends 对接焊端



DN65-250						
Pipe nominal specification (DN)	Series of pipe schedule thickness [Note(1)]	Welded-end or forged components [Note(1)]A	Casting steel valve [Note(2)]A	B	C[Note(3)]	t
65	40	73.0	75	62.5	662.93	5.16
	80	73.0	75	59	59.69	7.01
	160	73.0	75	54	55.28	9.35
80	X05	73.0	75	45	47.43	14.02
	40	88.9	91	78	78.25	5.49
	80	88.9	91	73.5	74.53	7.62
90	160	88.9	91	66.5	68.38	11.13
	X05	88.9	91	58.5	61.19	15.24
	40	101.6	105	90	90.52	5.74
100	80	101.6	105	85.5	86.42	8.08
	40	114.3	117	102	102.73	6.02
	80	114.3	117	97	98.28	8.56
125	120	114.3	117	92	93.78	11.13
	160	114.3	117	87.5	89.65	13.49
	X05	114.3	117	80	83.30	17.12
150	40	141.3	144	128	128.80	6.55
	80	141.3	144	122	123.58	9.3
	120	141.3	144	116	118.04	12.70
200	160	141.3	144	109.5	112.47	15.88
	X05	141.3	144	103	106.92	19.05
	40	168.3	172	154	154.82	7.11
250	80	168.3	172	146.5	148.06	10.97
	120	168.3	172	140	142.29	14.27
	160	168.3	172	132	135.31	18.26
300	X05	168.3	172	124.5	128.85	21.95
	40	219.1	223	203	203.75	8.18
	60	219.1	223	198.5	200.02	10.31
350	80	219.1	223	193.5	195.84	12.70
	100	219.1	223	189	191.65	15.09
	120	219.1	223	182.5	186.11	18.26
400	140	219.1	223	178	181.98	20.62
	X05	219.1	223	174.5	179.16	22.23
	160	219.1	223	173	177.79	23.01
450	40	273.0	278	254.5	255.74	9.27
	60	273.0	278	247.5	249.74	12.70
	80	273.0	278	243	245.55	15.09
500	100	273.0	278	236.5	240.01	18.26
	120	273.0	278	230	234.44	21.44
	140	273.0	278	222	227.51	25.40
160	273.0	278	216	221.95	28.58	

DN300-450							
Pipe nominal specification (DN)	Series of pipe schedule thickness [Note(1)]	Forged or manufactured components [Note(1)]A	Casting steel valve [Note(2)]A	B	C[Note(3)]	t	
300	STD	323.8	329	305	306.08	9.53	
	40	323.8	329	303	304.72	10.31	
	X5	323.8	329	298.5	300.54	12.70	
	60	323.8	329	295	297.79	14.27	
	80	323.8	329	289	292.17	17.48	
	100	323.8	329	281	285.24	21.44	
	120	323.8	329	273	278.31	25.40	
	140	323.8	329	266.5	272.75	28.58	
	160	323.8	329	257	264.45	33.32	
	STD	355.6	362	336.5	337.88	9.53	
350	40	355.6	362	333.5	335.08	11.13	
	X5	355.6	362	330	332.34	12.70	
	60	355.6	362	325.5	328.15	15.09	
	80	355.6	362	317.5	321.22	19.05	
	100	355.6	362	308	312.86	23.83	
	120	355.6	362	300	305.93	27.79	
	140	355.6	362	292	299.00	31.75	
	160	355.6	362	284	292.07	35.71	
	STD	406.4	413	387.5	388.68	9.53	
	400	40	406.4	413	381	383.14	12.70
60		406.4	413	373	376.21	16.66	
80		406.4	413	363.5	367.84	21.44	
100		406.4	413	354	359.53	26.19	
120		406.4	413	344.5	351.18	30.96	
140		406.4	413	333.5	341.43	36.53	
160		406.4	413	325.5	334.50	40.49	
STD		457.2	464	438	439.48	9.53	
450		40	457.2	464	432	433.94	12.70
		X5	457.2	464	428.5	431.19	14.27
	60	457.2	464	419	422.82	19.05	
	80	457.2	464	409.5	414.46	23.83	
	100	457.2	464	398.5	404.78	29.36	
	120	457.2	464	387.5	395.03	34.93	
	140	457.2	464	378	386.77	39.67	
	160	457.2	464	366.5	376.99	45.24	

Butt-welding ends 对接焊端



DN500-800							
Pipe nominal specification (DN)	Series of pipe schedule thickness [Note(1)]	Forged or manufactured components [Note(1)]A	Casting steel valve [Note(2)]A	B	C[Note(3)]	t	
500	STD	508.0	516	489	490.28	9.53	
	X5	508.0	516	482.5	484.74	12.70	
	40	508.0	516	478	480.55	15.09	
	60	508.0	516	467	470.88	20.62	
	80	508.0	516	455.5	461.13	26.19	
	100	508.0	516	443	450.02	32.54	
	120	508.0	516	432	440.29	38.10	
	140	508.0	516	419	429.17	44.45	
	160	508.0	516	408	419.44	50.01	
	STD	558.8	567	539	541.08	9.53	
550	X5	558.8	567	533	535.54	12.70	
	60	558.8	567	514	518.86	22.23	
	80	558.8	567	501	507.75	28.58	
	100	558.8	567	488.5	496.63	34.93	
	120	558.8	567	476	485.52	41.28	
	140	558.8	567	463	474.41	47.63	
	160	558.8	567	450.5	463.30	53.98	
	STD	609.6	619	590.5	591.88	9.53	
	600	X5	609.6	619	584	586.34	12.70
		30	609.6	619	581	583.59	14.27
40		609.6	619	574.5	577.97	17.48	
60		609.6	619	560.5	565.49	24.61	
80		609.6	619	547.5	554.38	30.96	
100		609.6	619	532	540.49	38.89	
120		609.6	619	517.5	528.03	46.02	
140		609.6	619	505	516.91	52.37	
160		609.6	619	490.5	504.37	59.54	
650		10	660.4	670	645.5	645.50	7.92
	20	660.4	670	635	637.14	12.70	
	10	711.2	721	695.5	696.30	7.92	
700	20	711.2	721	686	687.94	12.70	
	30	711.2	721	679.5	682.37	15.88	
	10	762.0	772	746	747.10	7.92	
750	20	762.0	772	736.5	738.74	12.70	
	30	762.0	772	730	733.17	15.88	
	10	812.8	825	797	797.90	7.92	
800	20	812.8	825	787.5	789.54	12.70	
	30	812.8	825	781	783.97	15.88	
	40	812.8	825	778	781.17	17.48	

DN850-900						
Pipe nominal specification (DN)	Series of pipe schedule thickness [Note(1)]	Forged or manufactured components [Note(1)]A	Casting steel valve [Note(2)]A	B	C[Note(3)]	t
850	10	863.6	876	848	848.70	7.92
	20	863.6	876	838	840.34	12.70
	30	863.6	876	832	834.77	15.88
900	40	863.6	876	826.5	831.97	17.48
	10	914.4	927	896.5	899.50	7.92
	20	914.4	927	889	891.14	12.70
900	30	914.4	927	882.5	885.57	15.88
	40	914.4	927	876.5	880.02	19.05

Notes(1) Characters stand for:
(a) STD=Standard schedule thickness
(b) X5=Thickened
(c) XS=Super thickened
(2) All the diameters are not required size, just be convenient for users.
(3) Gasket rings for DN50 and below size are not considered to manufacture.