



HUNAN HANDA
VALVE CO., LTD
湖南翰达阀门有限公司



致力于为流体控制产业提供性能可靠、品质卓越的
阀门及相关流体控制产品和服务。

Decided to providing valves of reliable performance and excellent quality and
related fluid control products and services for the fluid control industry.



湖南翰达
阀门有限公司

地址
湖南省澧县经济开发区
创新创业园10号楼1-2层

电话：0736-3249799
网址：www.handavalve.com
邮箱：info@handavalve.com

HUNAN HANDA
VALVE CO., LTD

Add:
1st-2nd Floor, No. 10 Pioneering Innovation Building,
economic development Zone, Li County, Hunan Province

Tel: +86 736-3249799
www.handavalve.com
info@handavalve.com



Globe Valves Series
截止阀系列

服务热线 Service Hotline
1360-6072-028



扫一扫关注了解更多



个人咨询售后服务号



International Quality, Precise Control

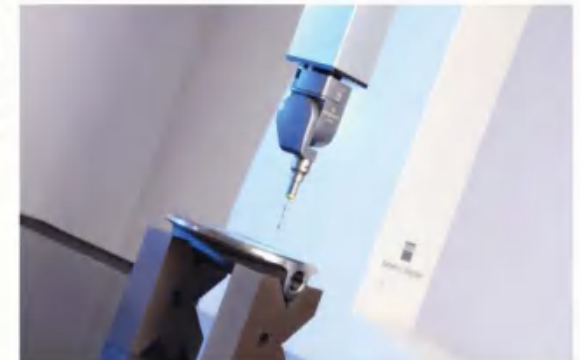
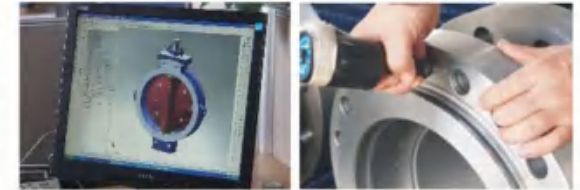
HUNAN HANDA VALVE CO., LTD. is a professional high-tech manufacturer of valves and automatic control equipment integrating research, development, design, production, sale and service. With a land area of 26,800m², a construction area of 40000m², and 286 employees including 58 senior and intermediate technicians, our company has CAD and CAM research, development, design and manufacturing system and ERP enterprise resource planning system. With a registered capital of RMB 58.88 million Yuan, our company has 68 sets of machining centers, CNC machine tools and metal cutting and machining equipment, as well as physical and chemical testing equipment, nondestructive inspectors, spectrum analyzers, three-dimensional measuring machines and valve comprehensive performance testing equipment, with 25 sets for each type of equipment. Our company has obtained the ISO9001 international quality system certificate, API-6D, API607 and API6FA certificates, CE certificate, special equipment production license (TS) issued by the State Technical Supervision Bureau and network access certificates in relevant industries.

The high performance Triple-eccentric and double-eccentric butterfly valves are independently researched, developed and designed by our company and have been granted more than 7 national patents. Our company mainly produces 8 series of products totaling more than 1,500 varieties and specifications including ball valves, butterfly valves and etc. that are anti-wear and anti-corrosive working under high temperature, high pressure and high vacuum with high performances for petroleum, chemical industry, metallurgy, mine, biology, medicine, cryogenic industry, air separation, nuclear power, thermal power, hydropower, machinery, water supply, gas, and oil and gas transportation pipeline and long transportation pipeline and other projects. Nominal diameter DN15-3000mm(1/2" -120"), nominal pressure 1.6Mpa-42Mpa (150LB-2500LB), working temperature -196℃~750℃, valve materials: carbon steel, stainless steel, heat resistant alloy steel, Monel, cryogenic steel and other special steel. Driving modes include manual, electric, pneumatic, gear transmission, worm gear and worm transmission, pneumatic and hydraulic linkage, electric and hydraulic linkage, and computer automatic control system. The products are sold well throughout China and are exported to USA, Europe and other places in the world.



Zero Defect Process Is The Guarantee Of Reliable Performances Of Handa Products.

Strict supervision is the guarantee to product quality. It is our tenet to avoid the occurrence of any defect and prevent quality problem from damaging our brand. We have established a complete set of reasonable and orderly inspection procedures. Guided by the thoughts of "pursuing zero failure", we will never sell one unqualified product to clients. We believe that it not only means the responsibility for customers, but also for ourselves.



Globe Valves Series

截止阀系列

成套系统解决方案

Whole-set system solution

- 阀门驱动装置及附件可配套安装，统一提供。
- 可配套提供电动装置，蜗轮装置，双作用气动装置或弹簧回座气动装置，以及各种附件，包括限位装置，电磁阀和定位器。
- The valve actuator and accessories can be offered and installed.
- Electric actuator, worm gear actuator, dual action pneumatic actuator or spring return pneumatic actuator and various accessories including limit device, solenoid valve and positioner can be offered.



截止阀
Globe valve



美标截止阀
American standard globe valve



美标截止阀
American standard globe valve



日标截止阀
Japanese standard globe valve



美标截止阀
American standard globe valve



锻钢截止阀
Forged steel globe valve

HUNAN HANDA
VALVE CO., LTD

湖南翰达阀门有限公司



Devoted to providing valves of reliable performances and excellent quality and related fluid control products and services for the fluid control industry.

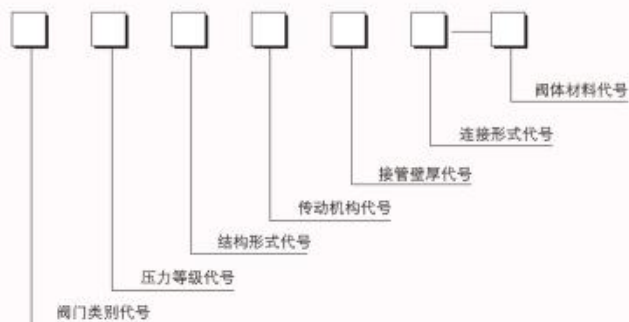
致力于为
流体控制产业
提供性能可靠、
品质卓越的阀门
及相关流体控制
产品和服务

CONTENTS

01	Globe valve model schedule illustration 截止阀型号编制说明
03	Flanged connection GB cast steel globe valve 法兰连接 GB铸钢截止阀
09	Flanged & butt-welding connection Ansi cast steel globe valve 法兰及对焊连接 ANSI铸钢截止阀
10	Bolted bonnet ansi Cast steel globe valve 栓盖结构 ANSI铸钢截止阀
12	Pressure sealed ansi cast steel globe valve 压力密封结构 ANSI铸钢截止阀
14	Forged steel globe valve 锻钢截止阀
18	Integral steel pipe flange 整体钢制管法兰
25	Butt-welding ends 对接焊端

Globe valve model schedule illustration

截止阀型号编制说明



★ 阀门类别代号 J - 截止阀

★ 压力等级代号
2-Class150 3-Class300 5-Class600 7-Class900 9-Class1500 9-Class2500
2a-1.6MPa 3a-2.5MPa 4a-4.0MPa 5a-6.4MPa 6a-10.0MPa 7a-16.0MPa

★ 结构形式代号
6-BB-BG-OS&Y (螺栓连接阀盖, 螺栓连接压盖, 明杆支架式)
8-PS-BG-OS&Y (压力密封阀盖, 螺栓连接压盖, 明杆支架式)

★ 传动机构代号 A-电动 B-气动 C-伞齿轮传动(手动略)

★ 接管壁厚代号

代号	壁厚	代号	壁厚	代号	壁厚
S1	SCH10	S4	SCH40	S7	SCH120
S2	SCH20	S5	SCH60	S8	SCH140
S3	SCH30	S6	SCH80	S9	SCH160

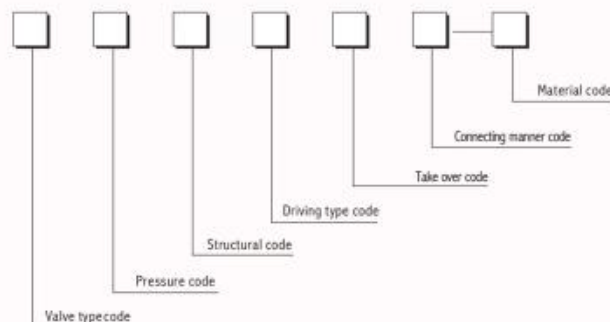
★ 连接形式代号 R-RF (凸面法兰连接) J-RJ (环槽法兰连接) F-MF (凹凸面连接) W-BW (对焊连接)

★ 阀体材料代号(国标材质代号与下列相应材质代号等同)

1) 铸造碳钢	CC10-ASTM A216-WCB	CF11-ASTM A352-LCB	
2) 铸造合金钢	CA20-ASTM A217-WC1 CA23-ASTM A217-C5	CA21-ASTM A351-CF8M CA24-ASTM A217-C12	CA22-ASTM A217-WC9
3) 铸造不锈钢	CS30-ASTM A351-CF8 CS33-ASTM A351-CF3	CS31-ASTM A351-CF8M CS34-ASTM A351-CF3M	CS32-ASTM A351-CF8C

Globe valve model schedule illustration

截止阀型号编制说明



★ Valve type code J - Globe valve

★ Pressure code
2 - Class150 3 - Class300 5 - Class600 7 - Class900 8 - Class1500 9 - Class2500
2a - 1.6MPa 3a - 2.5MPa 4a - 4.0MPa 5a - 6.4MPa 6a - 10.0MPa 7a - 16.0MPa

★ Structural code
6-BB-BG-OS&Y (Boiled bonnet, Bolted gland OS&Y)
8-PS-BG-OS&Y (Pressure bonnet, Bolted gland OS&Y)

★ Driving type code
A-Electric driving B-Air motor driving C-Gear driving

★ Take over code

Code	Thickness	Code	Thickness	Code	Thickness
S1	SCH10	S4	SCH40	S7	SCH120
S2	SCH20	S5	SCH60	S8	SCH140
S3	SCH30	S6	SCH80	S9	SCH160

★ Connecting manner code
R-RF (Raised face) J-RJ (Ring joint) F-MF (Male-Female face)
W-BW (Butt welded)

★ Body material code

1) Cast carbon steel	CC10-ASTM A216-WCB	CF11-ASTM A352-LCB	
2) Cast alloy steel	CA20-ASTM A217-WC1 CA23-ASTM A217-C5	CA21-ASTM A351-CF8M CA24-ASTM A217-C12	CA22-ASTM A217-WC9
3) Cast stainless steel	CS30-ASTM A351-CF8 CS33-ASTM A351-CF3	CS31-ASTM A351-CF8M CS34-ASTM A351-CF3M	CS32-ASTM A351-CF8C

Flanged connection GB cast steel globe valve

法兰连接 GB铸钢截止阀

产品结构特征

法兰连接截止阀适用于公称压力PN1.6-16.0MPa, 工作温度-46-550°C的石油、化工、制药、化肥、电力行业等各种工况的管路上, 切断或接通管路介质。

其主要结构特点有:

1. 产品结构合理、密封可靠、性能优良、造型美观。
2. 密封面堆焊Co基硬质合金, 耐磨、耐蚀、抗擦伤性能好、使用寿命长。
3. 阀杆经调质及表面氮化处理, 有良好的抗腐蚀性及抗擦伤性。
4. 阀门没有倒密封结构, 密封可靠。
5. 零件材质及法兰尺寸可根据实际工况或用户要求合理选配, 满足各种工程需要。

产品规格

型号	压力	传动方式	公称口径														
			15	20	25	32	40	50	65	80	100	125	150	200	250	300	
I2a6R	1.6MPa	手动	☆	☆	☆	☆	☆	☆	☆	☆	☆	☆	☆	☆	☆	☆	☆
I2a6AR	1.6MPa	电动	-	-	-	-	-	☆	☆	☆	☆	☆	☆	☆	☆	☆	☆
I3a6R	2.5MPa	手动	☆	☆	☆	☆	☆	☆	☆	☆	☆	☆	☆	☆	☆	☆	☆
I3a6AR	2.5MPa	电动	-	-	-	-	-	☆	☆	☆	☆	☆	☆	☆	☆	☆	☆
I4a6F	4.0MPa	手动	☆	☆	☆	☆	☆	☆	☆	☆	☆	☆	☆	☆	☆	-	-
I4a6AF	4.0MPa	电动	☆	☆	☆	☆	☆	☆	☆	☆	☆	☆	☆	☆	☆	-	-
I5a6F	6.4MPa	手动	☆	☆	☆	☆	☆	☆	☆	☆	☆	☆	☆	☆	☆	-	-
I5a6AF	6.4MPa	电动	☆	☆	☆	☆	☆	☆	☆	☆	☆	☆	☆	☆	☆	-	-
I6a6I	10.0MPa	手动	☆	☆	☆	☆	☆	☆	☆	☆	☆	☆	☆	☆	☆	-	-
I6a6AJ	10.0MPa	电动	☆	☆	☆	☆	☆	☆	☆	☆	☆	☆	☆	☆	☆	-	-
I7a6I	16.0MPa	手动	☆	☆	☆	☆	☆	☆	☆	☆	☆	☆	☆	☆	☆	-	-
I7a6AJ	16.0MPa	电动	☆	☆	☆	☆	☆	☆	☆	☆	☆	☆	☆	☆	☆	-	-

产品性能规范

公称压力 (Mpa)	壳体试验压力 (Mpa)	密封试验 (Mpa)	上密封试验 (Mpa)	气密封试验 (Mpa)	温度	适用介质
1.6	1.5 × PN	1.1PN	1.1 × PN	0.4-0.7	≤550°C	水、油、气
2.5	1.5 × PN	1.1PN	1.1 × PN	0.4-0.7	≤550°C	水、油、气
4.0	1.5 × PN	1.1PN	1.1 × PN	0.4-0.7	≤550°C	水、油、气
6.4	1.5 × PN	1.1PN	1.1 × PN	0.4-0.7	≤550°C	水、油、气
10.0	1.5 × PN	1.1PN	1.1 × PN	0.4-0.7	≤550°C	水、油、气
16.0	1.5 × PN	1.1PN	1.1 × PN	0.4-0.7	≤550°C	水、油、气

注: PN为主体材料在38°C时允许的额定工作压力

Flanged connection GB cast steel globe valve

法兰连接 GB铸钢截止阀



PRODUCTS DESIGN FEATURES

Flanged connection globe valves are used to cut or connect the pipe media under pressures between PN1.6-16.0MPa, working temperatures between -46-550°C, in oil industry, chemical industry, pharmaceuticals, fertilizer, and power industry.

Main structural features:

1. Rational structure, reliable sealing, excellent performance, pretty appearance.
2. Co-radi alloy welded sealing surface, anti-wearing erosion-proof abrasion-proof and longer use life.
3. The surface and the adjusting media of the valve shaft are nitrogenized so that its erosion and abrasion resistant.
4. There is backward sealing structure in the valve, so the sealing is reliable.
5. The material of the fillings and the flange sizes can be chose and matched according to the applications and the requirements of the users. That can satisfies all kinds of working requirements.

Products specification

Model	Pressure	Driving manner	Nominal size														
			15	20	25	32	40	50	65	80	100	125	150	200	250	300	
I2a6R	1.6MPa	Hand operated	☆	☆	☆	☆	☆	☆	☆	☆	☆	☆	☆	☆	☆	☆	☆
I2a6AR	1.6MPa	Electric Drive	-	-	-	-	-	☆	☆	☆	☆	☆	☆	☆	☆	☆	☆
I3a6R	2.5MPa	Hand operated	☆	☆	☆	☆	☆	☆	☆	☆	☆	☆	☆	☆	☆	☆	☆
I3a6AR	2.5MPa	Electric Drive	-	-	-	-	-	☆	☆	☆	☆	☆	☆	☆	☆	☆	☆
I4a6F	4.0MPa	Hand operated	☆	☆	☆	☆	☆	☆	☆	☆	☆	☆	☆	☆	☆	☆	-
I4a6AF	4.0MPa	Electric Drive	☆	☆	☆	☆	☆	☆	☆	☆	☆	☆	☆	☆	☆	☆	-
I5a6F	6.4MPa	Hand operated	☆	☆	☆	☆	☆	☆	☆	☆	☆	☆	☆	☆	☆	☆	-
I5a6AF	6.4MPa	Electric Drive	☆	☆	☆	☆	☆	☆	☆	☆	☆	☆	☆	☆	☆	☆	-
I6a6I	10.0MPa	Hand operated	☆	☆	☆	☆	☆	☆	☆	☆	☆	☆	☆	☆	☆	☆	-
I6a6AJ	10.0MPa	Electric Drive	☆	☆	☆	☆	☆	☆	☆	☆	☆	☆	☆	☆	☆	☆	-
I7a6I	16.0MPa	Hand operated	☆	☆	☆	☆	☆	☆	☆	☆	☆	☆	☆	☆	☆	☆	-
I7a6AJ	16.0MPa	Electric Drive	☆	☆	☆	☆	☆	☆	☆	☆	☆	☆	☆	☆	☆	☆	-

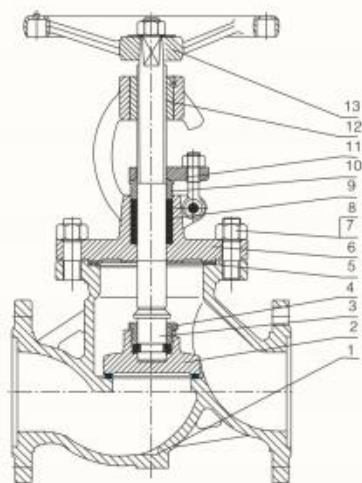
Products performance specification

Nominal Pressure (MPa)	Intensify test pressure (MPa)	Sealing test pressure (MPa)	Back seal test pressure (MPa)	Gas test pressure (MPa)	Temperature	Medium
1.6	1.5 × PN	1.1 × PN	1.1 × PN	0.4-0.7	≤550°C	Water, oil & gas
2.5	1.5 × PN	1.1 × PN	1.1 × PN	0.4-0.7	≤550°C	Water, oil & gas
4.0	1.5 × PN	1.1 × PN	1.1 × PN	0.4-0.7	≤550°C	Water, oil & gas
6.4	1.5 × PN	1.1 × PN	1.1 × PN	0.4-0.7	≤550°C	Water, oil & gas
10.0	1.5 × PN	1.1 × PN	1.1 × PN	0.4-0.7	≤550°C	Water, oil & gas
16.0	1.5 × PN	1.1 × PN	1.1 × PN	0.4-0.7	≤550°C	Water, oil & gas

Notes: PN is requested pressure for the body under the 38°C

Flanged connection GB cast steel globe valve

法兰连接 GB铸钢截止阀



主要零件材质 Form of major parts materials

序号 No.	零件名称 Part name	材质 Material
1	阀体 Body	WCB WC1、WC6、WC9、C5 CF8、CF8M、CF8C、CF3、CF3M
2	阀瓣 Disc	25、1Cr13、2Cr13 1Cr18Ni9Ti、0Cr18Ni12Mo2Ti 20Cr1MoV、25Cr2MoV
3	阀杆 Stem	1Cr13、2Cr13 1Cr18Ni9Ti、0Cr18Ni12Mo2Ti 20Cr1MoV、25Cr2MoV
4	阀瓣盖 Flat cover	25、1Cr13、2Cr13 1Cr18Ni9Ti、0Cr18Ni12Mo2Ti 20Cr1MoV、25Cr2MoV
5	垫片 Gasket	柔性石墨 + 不锈钢 Graphite & stainless steel
6	阀盖 Bonnet	WCB WC1、WC6、WC9、C5 CF8、CF8M、CF8C、CF3、CF3M
7	双头螺栓 Bolt	35CrMoA、 0Cr18Ni9、0Cr17Ni12Mo2、25Cr2MoV
8	螺母 Nut	45、35CrMoA、 0Cr18Ni9、0Cr17Ni12Mo2、25Cr2MoV
9	填料 Packing	柔性石墨 Flexible Graphite
10	填料压套 Gland	1Cr13、2Cr13 1Cr18Ni9Ti、0Cr18Ni12Mo2Ti
11	填料压盖 Gland flange	WCB CF8、CF8M、CF8C、CF3、CF3M
12	阀杆螺母 Stem nut	铜合金 Copper alloy
13	手轮 Hand wheel	KTH 330-08

技术规范

Technical specification

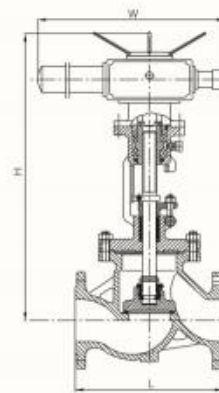
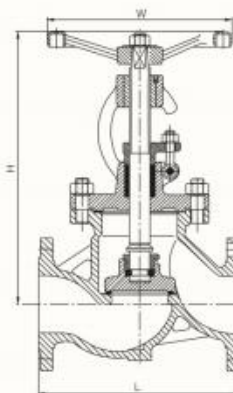
结构形式 Structural Formation	BB-BG-056Y
驱动方式 Driving Manner	手动、电动 Hand-operated, Electric-driving
设计标准 Design Standard	GB/T 12235
结构长度 Face to Face	GB/T 12221
连接法兰 Flanged Ends	GB/T 9113、JB/T 79、HG 20592
试验和检验 Test & Inspection	JB/T 9092

注：系列阀门连接法兰尺寸可根据用户要求设计制造。

Notes: The sizes of serial valve connecting flange can be designed according to customers' requirement.

Flanged connection GB cast steel globe valve

法兰连接 GB铸钢截止阀



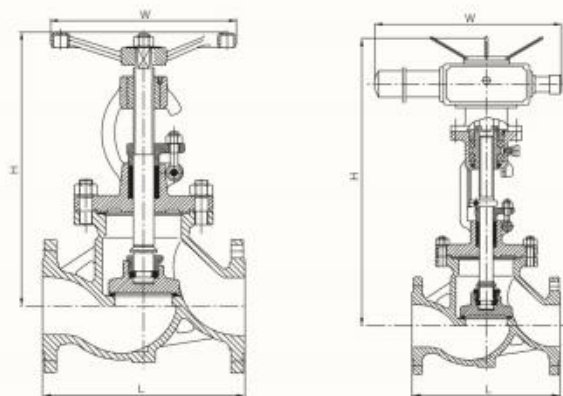
尺寸及重量 Size & weight

PN1.6~2.5MPa

型号 Model	J2a6(A) R-CC10、J2a6(A) R-CA20、J2a6(A) R-CS30														
压力 Pressure	1.6MPa														
口径 Size	15	20	25	32	40	50	65	80	100	125	150	200	250	300	
手动 Hand Operated	L	130	150	160	180	200	230	250	310	350	400	480	600	650	750
	H	218	260	275	282	332	350	405	360	412	462	510	715	789	925
	重量 Weight	5.3	7.2	7.5	8.7	12.4	14	22.5	29.5	34	80	95	178	438	650
电动 Electric Driving	H	-	-	-	-	-	642	695	712	772	785	812	965	1138	1285
	重量 Weight	-	-	-	-	-	960	960	960	960	960	1325	1325	1370	1370
	电动装置 Electric Device	-	-	-	-	-	DZW10A	DZW10A	DZW10A	DZW15A	DZW30A	DZW30A	DZW45A	DZW60A	DZW90
型号 Model	J3a6(A) R-CC10、J3a6(A) R-CA20、J3a6(A) R-CS30														
压力 Pressure	2.5MPa														
口径 Size	15	20	25	32	40	50	65	80	100	125	150	200	250	300	
手动 Hand Operated	L	130	150	160	180	200	230	250	310	350	400	480	600	650	750
	H	218	260	275	282	332	350	405	360	412	462	510	715	789	925
	重量 Weight	5.5	7.4	7.8	8.7	12.4	15	24.5	31	36	88	98	183	443	654
电动 Electric Driving	H	-	-	-	-	-	642	695	712	772	785	812	965	1138	1285
	重量 Weight	-	-	-	-	-	960	960	960	960	960	1325	1325	1370	1370
	电动装置 Electric Device	-	-	-	-	-	DZW10A	DZW10A	DZW15A	DZW30A	DZW30A	DZW45A	DZW60A	DZW90	DZW120

Flanged connection GB cast steel globe valve

法兰连接 GB铸钢截止阀



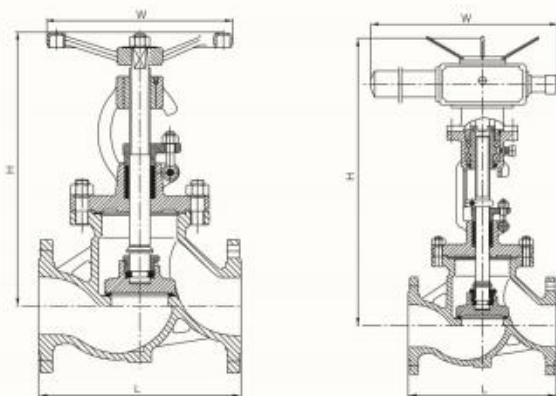
尺寸及重量 Size & weight

PN4.0~6.4MPa

型号 Model	J4a6(A) F-CC10、J4a6(A) F-CA20、J4a6 (A) F-CS30												
压力Pressure	4.0MPa												
口径Size	15	20	25	32	40	50	65	80	100	125	150	200	
手动 Hand Operated	L	130	150	160	180	200	230	290	310	350	400	480	600
	H	235	278	288	305	358	378	408	435	482	555	613	725
	重量Weight	5.9	7.5	8.0	8.9	12.5	15.2	24.6	32	40	90	105	189
电动 Electric Driving	H	-	-	-	-	642	695	712	772	785	812	965	
	重量Weight	-	-	-	-	960	960	960	960	1325	1325	1370	
	电动装置 Electric Device	-	-	-	-	61	78	85	105	205	228	400	
						DZW10A	DZW10A	DZK20A	DZK30A	DZK45A	DZK60A	DZW90	
型号 Model	J5a6(A) F-CC10、J5a6(A) F-CA20、J5a6 (A) F-CS30												
压力Pressure	6.4MPa												
口径Size	15	20	25	32	40	50	65	80	100	125	150	200	
手动 Hand Operated	L	170	190	210	230	260	300	340	380	430	500	556	650
	H	218	260	275	325	360	410	450	485	535	630	650	810
	重量Weight	10.2	13.5	15	20	25	36	47	55	123	130	155	285
电动 Electric Driving	H	-	-	-	-	710	752	785	835	1030	1065	1215	
	重量Weight	-	-	-	-	960	960	960	1325	1325	1370	1370	
	电动装置 Electric Device	-	-	-	-	65	78	85	173	245	300	420	
						DZW10A	DZW15A	DZW30A	DZW45A	DZW60A	DZW90	DZW120	

Flanged connection GB cast steel globe valve

法兰连接 GB铸钢截止阀



尺寸及重量 Size & weight

PN10.0~16.0MPa

型号 Model	J6a6(A) J-CC10、J6a6(A) J-CA20、J6a6 (A) J-CS30												
压力Pressure	10.0MPa												
口径Size	15	20	25	32	40	50	65	80	100	125	150	200	
手动 Hand Operated	L	170	190	210	230	260	300	340	380	430	500	550	650
	H	220	260	275	325	360	415	455	485	538	635	650	812
	重量Weight	10.5	14	15.5	21	26.5	27	49	56	125	134	158	288
电动 Electric Driving	H	-	-	-	-	715	760	788	840	1032	1072	1220	
	重量Weight	-	-	-	-	960	960	1325	1325	1370	1370	1395	
	电动装置 Electric Device	-	-	-	-	82	105	178	195	288	450	855	
						DZW30A	DZW30A	DZW45A	DZW60A	DZW90	DZW120	DZW180	
型号 Model	J7a6(A) J-CC10、J7a6(A) J-CA20、J7a6 (A) J-CS30												
压力Pressure	16.0MPa												
口径Size	15	20	25	32	40	50	65	80	100	125	150	200	
手动 Hand Operated	L	170	190	210	230	260	300	340	380	430	500	550	650
	H	220	262	275	326	362	417	455	485	540	-	-	-
	重量Weight	140	160	180	200	240	250	320	400	450	-	-	-
电动 Electric Driving	H	12.5	15.5	16	22	35	53	72	101	120	-	-	-
	重量Weight	-	-	-	-	745	825	940	1152	1185	1230	1500	
	电动装置 Electric Device	-	-	-	-	960	1325	1370	1370	1435	1435	1785	
						95	165	220	2403	500	678	1125	
						DZW30A	DZW45A	DZW90	DZW120	DZW180	DZW250	DZW350	

Flanged & butt-welding connection ANSI cast steel globe valve

法兰及对接连接 ANSI铸钢截止阀

产品结构特征

ANSI系列铸钢截止阀适用于Class150-2500, 工作温度≤600°C的石油、化工、火力电站等各种工况的管路上, 切断或接通管路介质。

其主要结构特点有:

1. 产品设计制造按ASME B16.34及BS 1873标准, 结构合理、密封可靠、性能优良、造型美观。
2. 密封面堆焊Co基硬质合金, 耐磨、耐腐蚀、抗擦伤性能好、使用寿命长。
3. 阀杆经调质及表面氮化处理, 有良好的抗腐蚀性及抗擦伤性。
4. 压力≥Class1500中座采用自紧式密封结构, 密封性随内压升高而升高, 保证了密封的可靠性。
5. 阀门设有倒密封结构, 密封可靠。
6. 零件材质及法兰、对接端尺寸可根据实际工况或用户要求合理选配, 满足各种工程需要。

Products design features

ANSI cast steel globe valves are used to cut or connect the pipe medium in Class150-2500 and working temperatures ≤600°C, in oil & chemical industry, thermal power station.

Main structural features:

1. The products design are in accordance with the ANSI B16.34 and BS 1873, with rational structure/reliable seal/excellent performance and pretty appearance.
2. Co-radi alloy welded sealing surface, anti-wearing, erosion-proof abrasion-proof and longer use life.
3. The surface and the adjusting media of the valve shaft are nitrogenized so that it is erosion and abrasion resistant.
4. The central cavity with pressure ≥ Class1500 adopts self-tightening sealing structure, which means that the sealing will rise with the internal pressure, and the sealing is highly reliable.
5. There is backward sealing structure in the valve, so the sealing is reliable.
6. The material of the parts and the flange sizes can be chose and matched according to the applications and the requirements of the users. That can satisfies all kinds of working requirements.

产品规格 Products specification

型号 Model	连接形式 Connecting type	压力等级 Class	公称通径 Nominal size															
			1/2	3/4	1	1 1/4	1 1/2	2	2 1/2	3	4	6	8	10	12	14	16	
I26R	法兰连接 Flanged ends	150	☆	☆	☆	☆	☆	☆	☆	☆	☆	☆	☆	☆	☆	☆	☆	
I36R	法兰连接 Flanged ends	300	☆	☆	☆	☆	☆	☆	☆	☆	☆	☆	☆	☆	☆	☆	☆	
I56I	法兰连接 Flanged ends	600	-	-	-	-	☆	☆	☆	☆	☆	☆	☆	-	-	-	-	
I76I	法兰连接 Flanged ends	900	-	-	-	-	☆	☆	☆	☆	☆	☆	☆	-	-	-	-	
I78I	法兰连接 Flanged ends	900	-	-	-	-	☆	☆	☆	☆	-	-	-	-	-	-	-	
I88I	法兰连接 Flanged ends	1500	-	-	-	-	☆	☆	☆	☆	-	-	-	-	-	-	-	
I98I	法兰连接 Flanged ends	2500	-	-	-	-	☆	☆	☆	☆	-	-	-	-	-	-	-	
I78A(C)J	法兰连接 Flanged ends	900	-	-	-	-	-	-	-	☆	☆	☆	☆	-	-	-	-	
I88A(C)J	法兰连接 Flanged ends	1500	-	-	-	-	-	-	-	☆	☆	☆	☆	-	-	-	-	
I98A(C)J	法兰连接 Flanged ends	2500	-	-	-	-	-	-	-	☆	☆	☆	☆	-	-	-	-	
I78A(C)S7W	对接连接 Butt-welding ends	900	-	-	-	-	-	-	-	☆	☆	☆	☆	-	-	-	-	
I88A(C)S7W	对接连接 Butt-welding ends	1500	-	-	-	-	-	-	-	☆	☆	☆	☆	-	-	-	-	
I98A(C)S9W	对接连接 Butt-welding ends	2500	-	-	-	-	-	-	-	☆	☆	☆	☆	-	-	-	-	

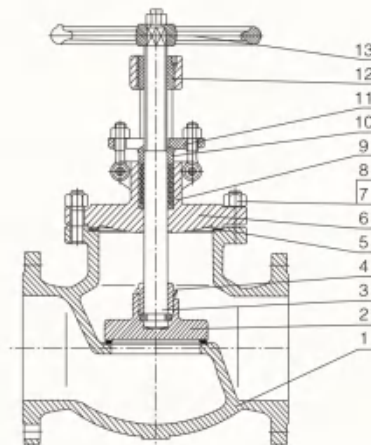
产品性能规范 Products performance specification

压力等级 Pressure grade	壳体试验压力(MPa) Intensify test pressure	密封试验(MPa) Sealing test pressure	上密封试验(MPa) Back seal test pressure	气密封试验(MPa) Gas test pressure	温度 Temperature	适用介质 Medium
150	1.5 × PN	1.1 × PN	1.1 × PN	0.4-0.7	≤600°C	水、蒸汽 Water, oil & gas
300	1.5 × PN	1.1 × PN	1.1 × PN	0.4-0.7	≤600°C	水、蒸汽 Water, oil & gas
600	1.5 × PN	1.1 × PN	1.1 × PN	0.4-0.7	≤600°C	水、蒸汽 Water, oil & gas
900	1.5 × PN	1.1 × PN	1.1 × PN	0.4-0.7	≤600°C	水、蒸汽 Water, oil & gas
1500	1.5 × PN	1.1 × PN	1.1 × PN	0.4-0.7	≤600°C	水、蒸汽 Water, oil & gas
2500	1.5 × PN	1.1 × PN	1.1 × PN	0.4-0.7	≤600°C	水、蒸汽 Water, oil & gas

注: PN为壳体材料在38°C时允许的额定工作压力
Notes: PN is requested pressure for the body under the 38°C

Bolted bonnet ansi Cast steel globe valve

栓盖结构 ANSI铸钢截止阀



主要零件材质 Form of major parts materials

序号 No.	零件名称 Part name	材质 Material
1	阀体 Body	ASTM A216-WCB, ASTM A352-LCB ASTM A217-WC1, WC6, WC9, C5 ASTM A351-CF8, CF8M, CF8C, CF3, CF3M
2	阀瓣 Disc	ASTM A182-F6a, ASTM A182-F22, ASTM A350-LF2, ASTM A182-F304, F316, F321, F304L, F316L
3	阀杆 Stem	ASTM A182-F6a, ASTM A182-F22 ASTM A182-F304, F316, F321, F304L, F316L
4	阀瓣盖 Flat cover	ASTM A182-F6a, ASTM A182-F22, ASTM A350-LF2, ASTM A182-F304, F316, F321, F304L, F316L
5	垫片 Gasket	柔性石墨 + 不锈钢 Graphite & stainless steel
6	阀盖 Bonnet	ASTM A216-WCB, ASTM A352-LCB ASTM A217-WC1, WC6, WC9, C5 ASTM A351-CF8, CF8M, CF8C, CF3, CF3M
7	双头螺栓 Bolt	ASTM A193-B7, A320-B8, A193-88M, A193-L7
8	螺母 Nut	ASTM A194 2H, A194 8, A194 8M, 194-4
9	填料 Packing	柔性石墨 Flexible Graphite
10	填料压套 Gland	ASTM A276, 410 ASTM A276, 304, 316, 321, 304L, 316L
11	填料压盖 Gland flange	ASTM A216-WCB, ASTM A352-LCB ASTM A351-CF8, CF8M, CF8C, CF3, CF3M
12	阀杆螺母 Stem nut	铜合金 Copper alloy
13	手轮 Hand wheel	ASTM A47-32510

技术规范

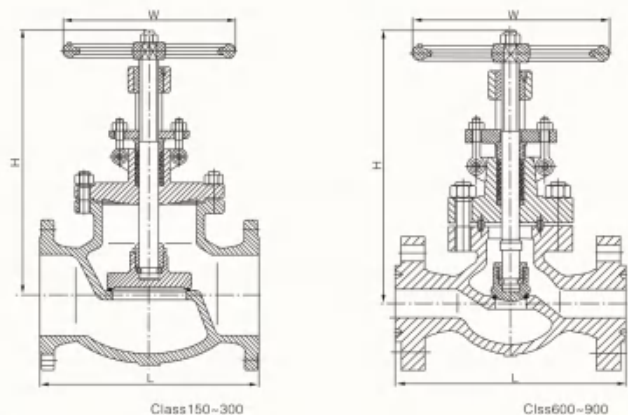
Technical specification

结构形式 Structural Formation	BB-BG-056Y
驱动方式 Driving	手动Hand-operated
设计标准 Design Standard	ASME B 16.34及BS 1873
结构长度 Face to Face	ASME B 16.10
连接法兰 Flanged Ends	ASME B 16.5
试验和检验 Test & Inspection	API 598

注: 系列阀门连接法兰及对接端尺寸可根据用户要求设计制造。
Notes: The sizes of serial valve connecting flange & butt welding end can be designed according to customers' requirement.

Bolted bonnet ansi cast Steel globe valve

栓盖结构 ANSI铸钢截止阀



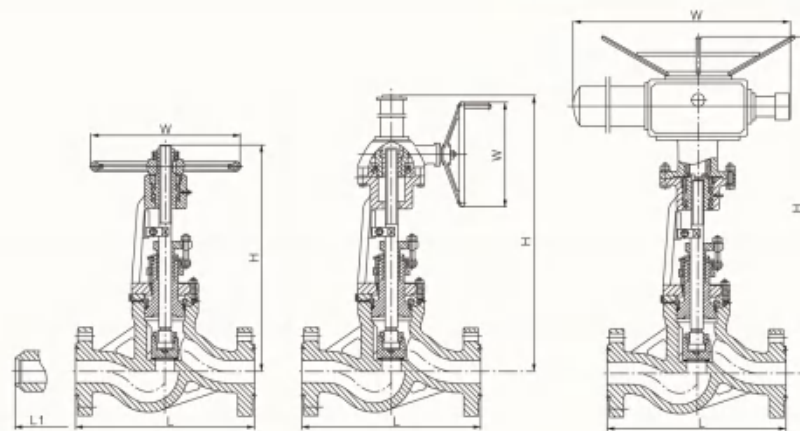
尺寸及重量 Size & weight

Class150~900

型号 Model	J26R-CC10、J26R-CA20、J26R-CS30															
压力等级 Class	150															
通径 Size	mm	15	20	25	32	40	50	65	80	100	150	200	250	300	350	400
	in	1/2	3/4	1	1 1/4	1 1/2	2	2 1/2	3	4	6	8	10	12	14	16
L		108	117	127	140	165	203	216	241	292	406	495	622	698	787	914
H		241	241	242	280	286	338	373	400	475	523	587	739	811	950	996
W		125	125	125	160	160	200	200	250	250	355	450	450	500	600	600
重量 Weight (Kg)		-	-	-	-	-	18	30	36	55	104	200	300	390	610	880
型号 Model	J36R-CC10、J36R-CA20、J36R-CS30															
压力等级 Class	300															
通径 Size	mm	15	20	25	32	40	50	65	80	100	150	200	250	300	350	400
	in	1/2	3/4	1	1 1/4	1 1/2	2	2 1/2	3	4	6	8	10	12	14	16
L		152	178	203	216	229	267	292	318	356	444	559	622	711	762	864
H		241	241	283	320	322	353	398	422	495	676	912	950	1031	1130	1311
W		125	125	160	200	200	200	250	280	355	450	450	500	500	600	600
重量 Weight (Kg)		-	-	-	-	-	25	30	52	88	160	259	420	595	876	1010
型号 Model	J56J-CC10、J56J-CA20、J56J-CS30						J76J-CC10、J76J-CA20、J76J-CS30									
压力等级 Class	600						900									
通径 Size	mm	50	65	80	100	150	200	250	50	65	80	100	150	200	250	
	in	2	2 1/2	3	4	6	8	10	2	2 1/2	3	4	6	8	10	
L		295	334	359	435	562	664	791	372	442	384	461	613	740	842	
H		396	447	495	599	790	1013	1181	589	660	700	795	1107	1184	1243	
W		180	250	250	350	450	500	600	320	320	350	450	600	720	760	
重量 Weight (Kg)		35	50	90	150	300	510	850	65	75	120	200	410	790	1300	

Pressure sealed ansi cast steel globe valve

压力密封结构 ANSI铸钢截止阀



尺寸及重量 Size & weight

Class900

型号 Model	法兰连接 Flanged	J78(A、C)J-CC10、J78(A、C)J-CA20、J78(A、C)J-CS30						
	对焊连接 Butt-welding	J78(A、C)S7W-CC10、J78(A、C)S7W-CA20、J78(A、C)S7W-CS30						
压力等级 Class	900							
通径 Size	mm	50	65	80	100	150	200	250
	in	2	2 1/2	3	4	6	8	10
法兰连接 Flanged	L	371	422	384	460	613	740	841
对焊连接 Butt-Welding	L1	368	419	381	457	610	737	838
手动 Hand Operated	H	470	560	685	830	-	-	-
	重量 Weight (Kg)	350	400	400	500	-	-	-
齿动 Gear Driving	重量 Weight (Kg)	110	130	140	230	-	-	-
	H	-	-	-	880	1135	1495	1960
	重量 Weight (Kg)	-	-	-	460	460	610	610
	齿轮装置 gear Drive	-	-	-	BA-1	BA-1	BA-2	BA-2
电动 Electric Driving	重量 Weight (Kg)	-	-	-	250	500	900	1200
	H	-	-	-	880	1135	1495	1960
	重量 Weight (Kg)	-	-	-	809	809	863	863
	转矩 Torque (N.m)	-	-	-	900	1200	1800	2000
	重量 Weight (Kg)	-	-	-	382	635	1155	1455
	*接管壁厚 Pipe Thickness(mm)	SCH120						

注：只有对焊连接时才有此尺寸，配管尺寸可根据用户要求选配。
The size is cone into being only through butt-welded joint, and the size of piping can be selected and allocated according to the requirement of users.

Pressure sealed ansi cast steel globe valve 压力密封结构 ANSI铸钢截止阀

尺寸及重量 Size & weight

Class1500

型号 Model	法兰连接 Flanged	J88(A, C)J-CC10, J88(A, C) J-CA20, J88(A, C) J-CS30						
	对焊连接 Butt-welding	J88(A, C)S7W-CC10, J88(A, C) S7W-CA20, J88(A, C) S7W-CS30						
压力等级 Class		1500						
通径Size	mm	50	65	80	100	150	200	250
	in	2	2 1/2	3	4	6	8	10
法兰连接Flanged	L	371	422	473	549	711	841	1000
对焊连接 Butt-Welding	L1	368	419	470	546	704	831	990
手动 Hand Operated	H	535	670	838	1193	-	-	-
	W	400	500	500	560	-	-	-
	重量Weight (Kg)	130	175	245	350	-	-	-
齿动 Gear Driving	H	-	-	-	990	1280	1615	2170
	W	-	-	-	460	610	610	610
	齿轮装置Gear Drive	-	-	-	BA-1	BA-2	BA-2	BA-2
	重量Weight (Kg)	-	-	-	370	720	1370	1675
电动 Electric Driving	H	-	-	-	880	1135	1495	1960
	W	-	-	-	809	863	863	863
	转矩Torque(N.m)	-	-	-	1200	1800	2500	2500
	重量Weight (Kg)	-	-	-	505	855	1628	1933
*接管壁厚Pipe Thickness(mm)		SCH120						

注：只有对焊连接时才有此尺寸，配管尺寸可根据用户要求选配。

The size is come into being only through butt-welded joint, and the size of piping can be selected and allocated according to the requirement of users.

尺寸及重量 Size & weight

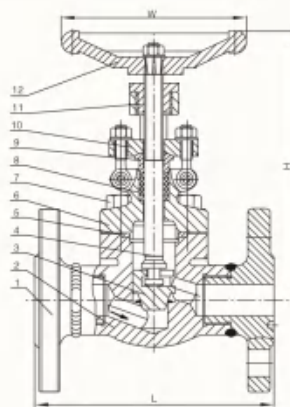
Class2500

型号 Model	法兰连接 Flanged	J98(A, C)J-CC10, J98(A, C) J-CA20, J98(A, C) J-CS30						
	对焊连接 Butt-welding	J98(A, C)S7W-CC10, J98(A, C) S9W-CA20, J98(A, C) S9W-CS30						
压力等级 Class		2500						
通径Size	mm	50	65	80	100	150	200	
	in	2	2 1/2	3	4	6	8	
法兰连接Flanged	L	454	514	584	683	927	1038	
对焊连接Butt-Welding	L1	451	508	578	673	814	1022	
手动 Hand Operated	H	650	840	990	1210	-	-	
	W	500	560	600	680	-	-	
	重量Weight (Kg)	180	250	350	580	-	-	
齿动 Gear Driving	H	-	-	-	1090	1470	1735	
	W	-	-	-	610	610	610	
	齿轮装置Gear Drive	-	-	-	BA-2	BA-2	BA-2	
	重量Weight (Kg)	-	-	-	615	990	1620	
电动 Electric Driving	H	-	-	-	1090	1470	1735	
	W	-	-	-	863	863	960	
	转矩Torque(N.m)	-	-	-	1800	2500	3000	
	重量Weight (Kg)	-	-	-	870	1248	2050	
*接管壁厚Pipe Thickness(mm)		SCH160						

注：只有对焊连接时才有此尺寸，配管尺寸可根据用户要求选配。

The size is come into being only through butt-welded joint, and the size of piping can be selected and allocated according to the requirement of users.

Forged steel globe valve 锻钢截止阀



技术规范 Technical specification

结构形式 Structural Formation	BB-BG-058Y (WB-BG-058Y)
驱动方式 Driving Manner	手动Hand-operated
设计标准 Design Standard	ASME B16.34, BS 5352
结构长度 Structural Length	ASME B16.10
连接法兰 Flanged Ends	ASME B16.5
试验和检验 Test & Inspection	API 598

主要零件材质 Form of major parts materials

序号 No.	零件名称 Part name	材质 Material
1	法兰 Flange	ASTM A105, A350-LF2 ASTM A182-F11, F22, F5, F9 ASTM A182-F304, F316, F321, F304L, F316L
2	阀体 Body	ASTM A105, A350-LF2 ASTM A182-F11, F22, F5, F9 ASTM A182-F304, F316, F321, F304L, F316L
3	阀瓣 Disc	ASTM A105, A350-LF2 ASTM A182-F11, F22, F5, F9 ASTM A182-F304, F316, F321, F304L, F316L
4	阀杆 Stem	ASTM A182-F6a, ASTM A182-F22 ASTM A182-F304, F316, F321, F304L, F316L
5	垫片 Gasket	柔性石墨+不锈钢 Graphite & stainless steel
6	阀盖 Bonnet	ASTM A105, A350-LF2 ASTM A182-F11, F22, F5, F9 ASTM A182-F304, F316, F321, F304L, F316L
7	螺栓 Bolt	ASTM A193-B7, A320-B8, A190-B8M
8	填料 Packing	柔性石墨 Flexible Graphite
9	填料压套 Gland	ASTM A105 ASTM A182-F11, F22, F5, F9 ASTM A182-F304, F316, F321, F304L, F316L
10	填料压盖 Gland flange	ASTM A216-WCB ASTM A351-CF8, CF8M, CF8C, CF3, CF3M
11	阀杆螺母 Stem nut	铜合金 Copper alloy
12	手轮 Hand wheel	ASTM A47-32510

尺寸及重量 Size & weight

Class 150, 300, 600

型号 Model	J26(A)R(J)-C10, A20, S30						J36(A)R(J)-C10, A20, S30						J56(A)R(J)-C10, A20, S30						
	150						300						600						
Class	150						300						600						
	150						300						600						
Size	mm	15	20	25	32	40	50	15	20	25	32	40	50	15	20	25	32	40	50
	in	1/2	3/4	1	1 1/4	1 1/2	2	1/2	3/4	1	1 1/4	1 1/2	2	1/2	3/4	1	1 1/4	1 1/2	2
L (mm)	RF	108	1175	127	140	165	203	1525	178	203	216	2285	266.5	165	190.5	216	229	241	292
	RTJ	119	130	140	153	178	216	1635	191	216	229	241	282	163.5	190.5	216	229	241	295
H ^① (mm)		170	170	205	225	254	292	170	170	205	225	254	292	170	170	205	225	254	292
W (mm)		100	100	125	160	160	180	100	100	125	160	180	100	100	125	160	160	180	180
重量Weight(Kg)		3.5	4.8	6.5	9.8	12	15	4.2	5.3	7.5	11.3	16.5	18.2	5.5	7.0	9.7	12.5	18.4	20

注：①H为阀门全开时的高度 Notes: H represents the height in full opening condition of valve.

Forged steel globe valve

锻钢截止阀

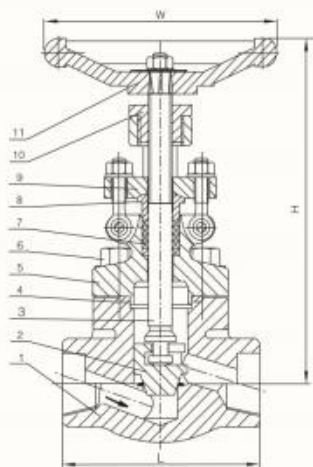


技术规范 Technical specification

结构形式 Structural Formation	BB-BG-056Y (WB-BG-056Y)
驱动方式 Driving Manner	手动Hand-operated
设计标准 Design Standard	ASME B16.34, BS 5352
螺纹端 Thread Ends	ASME B1.20.1
承插焊端 Socket Welded Ends	ASME B16.11
试验和检验 Test & Inspection	API 598

主要零件材质 Form of major parts materials

序号 No.	零件名称 Part name	材质 Material
1	阀体 Body	ASTM A105, ASTM A350-LF2 ASTM A182-F11, F22, F5, F9 ASTM A182-F304, F316, F321, F304L, F316L
2	阀瓣 Disc	ASTM A105, ASTM A350-LF2 ASTM A182-F11, F22, F5, F9 ASTM A182-F304, F316, F321, F304L, F316L
3	阀杆 Stem	ASTM A182-F6a, ASTM A182-F22 ASTM A182-F304, F316, F321, F304L, F316L
4	垫片 Gasket	柔性石墨+不锈钢 Graphite & stainless steel
5	阀盖 Bonnet	ASTM A105, ASTM A350-LF2 ASTM A182-F11, F22, F5, F9 ASTM A182-F304, F316, F321, F304L, F316L
6	螺栓 Bolt	ASTM A193-B7, A320-B8, A193-B8M
7	填料 Packing	柔性石墨 Flexible Graphite
8	填料压套 Gland	ASTM A105 ASTM A182-F11, F22, F5, F9 ASTM A182-F304, F316, F321, F304L, F316L
9	填料压盖 Gland flange	ASTM A216-WCB ASTM A351-CF8, CF8M, CF8C, CF3, CF3M
10	阀杆螺母 Stem nut	铜合金 Copper alloy
11	手轮 Hand wheel	ASTM A47-32510



尺寸及重量 Size & weight

Class 800

型号 Model	J66(A)S-C10, A20, S30				J66(A)T-C10, A20, S30			
	800							
Class	800							
Size	口径(mm)(in) Reduced bore	15(1/2)	20(3/4)	25(1)	32(1 1/4)	40(1 1/2)	50(2)	
	口径(mm)(in) Full bore	10(3/8)	15(1/2)	20(3/4)	25(1)	32(1 1/4)	40(1 1/2)	50(2)
L (mm)	80	92	111	120	120	140	178	
H ^① (mm)	170	170	205	225	254	292	330	
W (mm)	100	100	125	160	160	180	240	
重量 Weight (Kg)	1.9	2.1	3.2	6.9	6.9	10.4	15.8	

注：①H为阀门全开时的高度 Notes: H represents the height in full opening condition of valve.

Forged steel globe valve

锻钢截止阀

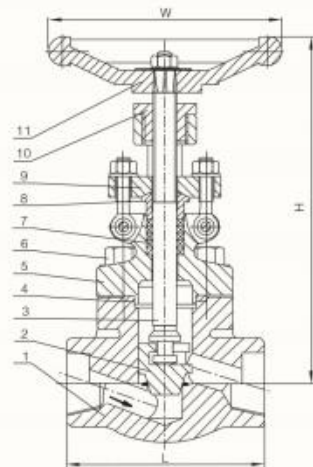


技术规范 Technical specification

结构形式 Structural Formation	BB-BG-056Y (WB-BG-056Y)
驱动方式 Driving Manner	手动Hand-operated
设计标准 Design Standard	ASME B16.34, BS 5352
螺纹端 Thread Ends	ASME B1.20.1
承插焊端 Socket Welded Ends	ASME B16.11
试验和检验 Test & Inspection	API 598

主要零件材质 Form of major parts materials

序号 No.	零件名称 Part name	材质 Material
1	阀体 Body	ASTM A105, ASTM A350-LF2 ASTM A182-F11, F22, F5, F9 ASTM A182-F304, F316, F321, F304L, F316L
2	阀瓣 Disc	ASTM A105, ASTM A350-LF2 ASTM A182-F11, F22, F5, F9 ASTM A182-F304, F316, F321, F304L, F316L
3	阀杆 Stem	ASTM A182-F6a, ASTM A182-F22 ASTM A182-F304, F316, F321, F304L, F316L
4	垫片 Gasket	柔性石墨+不锈钢 Graphite & stainless steel
5	阀盖 Bonnet	ASTM A105, ASTM A350-LF2 ASTM A182-F11, F22, F5, F9 ASTM A182-F304, F316, F321, F304L, F316L
6	螺栓 Bolt	ASTM A193-B7, A320-B8, A193-B8M
7	填料 Packing	柔性石墨 Flexible Graphite
8	填料压套 Gland	ASTM A105 ASTM A182-F11, F22, F5, F9 ASTM A182-F304, F316, F321, F304L, F316L
9	填料压盖 Gland flange	ASTM A216-WCB ASTM A351-CF8, CF8M, CF8C, CF3, CF3M
10	阀杆螺母 Stem nut	铜合金 Copper alloy
11	手轮 Hand wheel	ASTM A47-32510



尺寸及重量 Size & weight

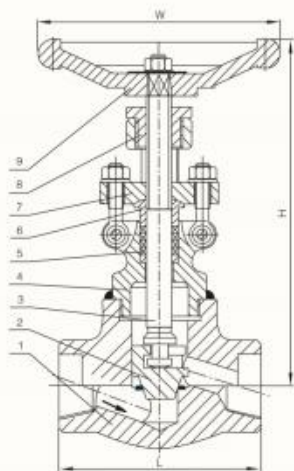
Class 1500

型号 Model	J66(A)S-C10, A20, S30				J66(A)T-C10, A20, S30			
	1500							
Class	1500							
Size	口径(mm)(in) Reduced bore	15(1/2)	20(3/4)	25(1)	32(1 1/4)	40(1 1/2)	50(2)	
	口径(mm)(in) Full bore	10(3/8)	15(1/2)	20(3/4)	25(1)	32(1 1/4)	40(1 1/2)	50(2)
L (mm)	111	111	130	150	172	220	230	
H ^① (mm)	205	205	240	258	290	336	428	
W (mm)	125	125	160	160	160	180	234	
重量 Weight (Kg)	4.5	4.3	6.8	8.5	12.6	19.2	30	

注：①H为阀门全开时的高度 Notes: H represents the height in full opening condition of valve.

Forged steel globe valve

锻钢截止阀



技术规范 Technical specification

结构形式 Structural Formation	WB-BG-QS6Y
驱动方式 Driving Manner	手动Hand-operated
设计标准 Design Standard	ASME B16.34, BS 5352
螺纹端 Thread Ends	ASME B1.20.1
承插端端 Socket Welded Ends	ASME B16.11
试验和检验 Test & Inspection	API 598

主要零件材质 Form of major parts materials

序号 No.	零件名称 Part name	材质 Material
1	阀体 Body	ASTM A105, ASTM A350-LF2 ASTM A182-F11, F22, F5, F9 ASTM A182-F304, F316, F321, F304L, F316L
2	阀瓣 Disc	ASTM A105, ASTM A350-LF2 ASTM A182-F11, F22, F5, F9 ASTM A182-F304, F316, F321, F304L, F316L
3	阀杆 Stem	ASTM A182-F6a, ASTM A182-F22 ASTM A182-F304, F316, F321, F304L, F316L
4	阀盖 Bonnet	ASTM A105, ASTM A350-LF2 ASTM A182-F11, F22, F5, F9 ASTM A182-F304, F316, F321, F304L, F316L
5	填料 Packing	柔性石墨 Flexible Graphite
6	填料压套 Gland	ASTM A105 ASTM A182-F11, F22, F5, F9 ASTM A182-F304, F316, F321, F304L, F316L
7	填料压盖 Gland flange	ASTM A216-WCB ASTM A351-CF8, CF8M, CF8C, CF3, CF3M
8	阀杆螺母 Stem nut	铜合金 Copper alloy
9	手轮 Hand wheel	ASTM A47-32510

尺寸及重量 Size & weight

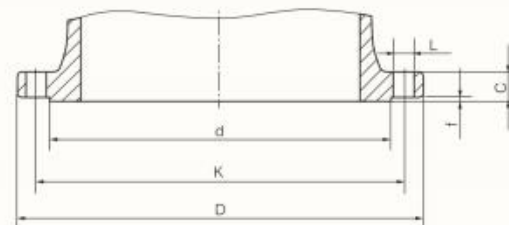
Class 2500

型号 Model	J96(A)S-C10, A20, S30		J96(A)T-C10, A20, S30				
	Class 2500						
Class	2500						
Size	口径(mm) Reduced bore	15(1/2)	20(3/4)	25(1)	32(1 1/4)	40(1 1/2)	50(2)
	全径(mm) Full bore	10(3/8)	15(1/2)	20(3/4)	25(1)	32(1 1/4)	40(1 1/2)
L (mm)	111	127	127	180	180	210	230
H ^① (mm)	190	225	246	287	290	362	420
W (mm)	125	140	160	180	180	200	240
重量 Weight (Kg)	4.5	5.5	8.0	13.2	12.8	19.8	30

注: ①H为阀门全开时的高度 Notes: H represents the height in full opening condition of valve.

Integral steel pipe flange

整体钢制管法兰



RF

PN1.6、2.5MPa RF JB/T79.1-94

PN1.6MPa RF JB/T79.1-94							PN2.5MPa RF JB/T79.1-94						
DN	D	K	L	螺栓 (Bolt) Th	d	f C	DN	D	K	L	螺栓 (Bolt) Th	d	f C
15	95	65	14	4-M12	45	2 14	15	95	65	14	4-M12	45	2 16
20	105	75	14	4-M12	55	2 14	20	105	75	14	4-M12	55	2 16
25	115	85	14	4-M12	65	2 14	25	115	85	14	4-M12	65	2 16
32	140	100	18	4-M16	78	2 16	32	140	100	18	4-M16	78	2 18
40	150	110	18	4-M16	85	3 16	40	150	110	18	4-M16	85	3 18
50	165	125	18	4-M16	100	3 16	50	165	125	18	4-M16	100	3 20
65	185	145	18	4-M16	120	3 18	65	185	145	18	8-M16	120	3 22
80	200	160	18	8-M16	135	3 20	80	200	160	18	8-M16	135	3 22
100	220	180	18	8-M16	155	3 20	100	230	190	23	8-M20	160	3 24
125	250	210	18	8-M16	185	3 22	125	270	220	26	8-M24	188	3 28
150	285	240	23	8-M20	210	3 24	150	300	250	26	8-M24	218	3 30
200	340	295	23	12-M20	265	3 26	200	360	310	26	12-M24	278	3 34
250	405	355	26	12-M24	320	3 30	250	425	370	30	12-M27	332	3 36
300	460	410	26	12-M24	375	4 30	300	485	430	30	16-M27	390	4 40
350	520	470	26	16-M24	435	4 34	350	555	490	34	16-M30	448	4 44
400	580	525	30	16-M27	485	4 36	400	620	550	36	16-M33	505	4 48
450	640	585	30	20-M27	545	4 40	450	670	600	36	20-M33	555	4 50
500	715	650	34	20-M30	608	4 44	500	730	660	36	20-M33	610	4 52

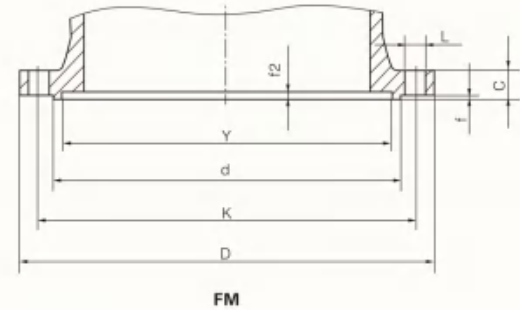
Integral steel pipe flange 整体钢制管法兰



PN1.6、2.5MPa R F GB/T9113.1-2000

PN1.6MPa R F GB/T9113.1-2000							
DN	D	K	L	螺栓 (Bolt)n-Th	d	f	C
15	95	65	14	4-M12	46	2	16
20	105	75	14	4-M12	56	2	18
25	115	85	14	4-M12	65	2	18
32	140	100	18	4-M16	76	2	18
40	150	110	18	4-M16	84	2	18
50	165	125	18	4-M16	99	2	18
65	185	145	18	8-M16	118	2	18
80	200	160	18	8-M16	132	2	20
100	220	180	18	8-M16	156	2	20
125	250	210	18	8-M16	184	2	22
150	285	240	22	8-M20	211	2	22
200	340	295	22	12-M20	266	2	24
250	405	355	26	12-M24	319	2	26
300	460	410	26	12-M24	370	2	28
350	520	470	26	16-M24	429	2	30
400	580	525	30	16-M27	480	2	32
450	640	585	30	20-M27	548	2	40
500	715	650	33	20-M30	609	2	44

PN2.5MPa R F GB/T9113.1-2000							
DN	D	K	L	螺栓 (Bolt)n-Th	d	f	C
15	95	65	14	4-M12	46	2	16
20	105	75	14	4-M12	56	2	18
25	115	85	14	4-M12	65	2	18
32	140	100	18	4-M16	76	2	18
40	150	110	18	4-M16	84	2	18
50	165	125	18	4-M16	99	2	20
65	185	145	18	8-M16	118	2	22
80	200	160	18	8-M16	132	2	24
100	230	190	23	8-M20	156	2	24
125	270	220	26	8-M24	184	2	26
150	300	250	26	8-M24	211	2	28
200	360	310	26	12-M24	274	2	30
250	425	370	30	12-M27	330	2	32
300	485	430	30	16-M27	389	2	34
350	555	490	34	16-M30	448	2	38
400	620	550	36	16-M33	503	2	40
450	670	600	36	20-M33	548	2	46
500	730	660	36	20-M33	609	2	48



PN1.6、2.5MPa R F HG20596-97

PN1.6MPa R F HG20596-97							
DN	D	K	L	螺栓 (Bolt)n-Th	d	f	C
15	95	65	14	4-M12	46	2	16
20	105	75	14	4-M12	56	2	18
25	115	85	14	4-M12	65	2	18
32	140	100	18	4-M16	76	2	18
40	150	110	18	4-M16	84	2	18
50	165	125	18	4-M16	99	2	18
65	185	145	18	8-M16	118	2	18
80	200	160	18	8-M16	132	2	20
100	220	180	18	8-M16	156	2	20
125	250	210	18	8-M16	184	2	22
150	285	240	22	8-M20	211	2	22
200	340	295	22	12-M20	266	2	24
250	405	355	26	12-M24	319	2	26
300	460	410	26	12-M24	370	2	28
350	520	470	26	16-M24	429	2	30
400	580	525	30	16-M27	480	2	32
450	640	585	30	20-M27	548	2	40
500	715	650	30	20-M30 × 2	609	2	44

PN2.5MPa R F HG20596-97							
DN	D	K	L	螺栓 (Bolt)n-Th	d	f	C
15	95	65	14	4-M12	46	2	16
20	105	75	14	4-M12	56	2	18
25	115	85	14	4-M12	65	2	18
32	140	100	18	4-M16	76	2	18
40	150	110	18	4-M16	84	2	18
50	165	125	18	4-M16	99	2	20
65	185	145	18	8-M16	118	2	22
80	200	160	18	8-M16	132	2	24
100	230	190	22	8-M20	156	2	24
125	270	220	26	8-M24	184	2	26
150	300	250	26	8-M24	211	2	28
200	360	310	26	12-M24	274	2	30
250	425	370	30	12-M27	330	2	32
300	485	430	30	16-M27	389	2	34
350	555	490	33	16-M30 × 2	448	2	38
400	620	550	36	16-M33 × 2	503	2	40
450	670	600	36	20-M33 × 2	548	2	46
500	730	660	36	20-M33 × 2	609	2	48

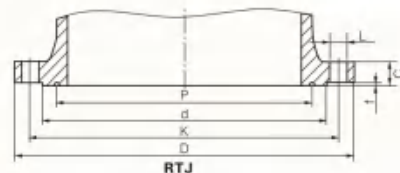
PN4.0、6.3MPa FM JB/T79.2-94

PN4.0MPa FM JB/T79.2-94							
DN	D	K	L	螺栓 (Bolt)n-Th	d	Y	f i2 C
15	95	65	14	4-M12	45	40	2 4 16
20	105	75	14	4-M12	55	51	2 4 16
25	115	85	14	4-M12	65	58	2 4 16
32	140	100	18	4-M16	78	66	2 4 18
40	150	110	18	4-M16	85	76	3 4 18
50	165	125	18	4-M16	100	88	3 4 20
65	185	145	18	8-M16	120	110	3 4 22
80	200	160	18	8-M16	135	121	3 4 22
100	235	190	23	8-M20	160	150	3 4.5 24
125	270	220	26	8-M24	188	176	3 4.5 28
150	300	250	26	8-M24	218	204	3 4.5 30
200	375	320	30	12-M27	282	260	3 4.5 38
250	450	385	34	12-M30	345	313	3 4.5 42
300	515	450	34	16-M30	408	364	4 4.5 46
350	580	510	36	16-M33	465	422	4 5 52
400	660	585	41	16-M36	535	474	4 5 58

PN6.3MPa FM JB/T79.2-94							
DN	D	K	L	螺栓 (Bolt)n-Th	d	Y	f i2 C
15	105	75	14	4-M12	55	40	2 4 18
20	130	90	18	4-M16	68	51	2 4 20
25	140	100	18	4-M16	78	58	2 4 22
32	155	110	23	4-M20	82	66	2 4 24
40	170	125	23	4-M20	95	76	3 4 24
50	180	135	23	4-M20	105	88	3 4 26
65	205	160	23	8-M20	130	110	3 4 28
80	215	170	23	8-M20	140	121	3 4 30
100	250	200	26	8-M24	168	150	3 4.5 32
125	295	240	30	8-M27	202	176	3 4.5 36
150	345	280	34	8-M30	240	204	3 4.5 38
200	405	345	36	12-M33	300	260	3 4.5 44
250	470	400	36	12-M33	352	313	3 4.5 48
300	530	460	36	16-M33	412	364	4 4.5 54
350	600	525	41	16-M36	475	422	4 5 60
400	670	585	42	16-M39	525	474	4 5 66

Integral steel pipe flange

整体钢制管法兰



PN4.0、6.3MPa FM GB/T9113.2-2000

PN4.0MPa FM GB/T9113.2-2000									
DN	D	K	L	螺栓 (Bolt)n-Th	d	Y	f	I 2	C
15	95	65	14	4-M12	46	40	4	3	16
20	105	75	14	4-M12	56	51	4	3	18
25	115	85	14	4-M12	65	58	4	3	18
32	140	100	18	4-M16	76	66	4	3	18
40	150	110	18	4-M16	84	76	4	3	18
50	165	125	18	4-M16	99	88	4	3	20
65	185	145	18	8-M16	118	110	4	3	22
80	200	160	18	8-M16	132	121	4	3	24
100	235	190	22	8-M20	156	150	4.5	3.5	24
125	270	220	26	8-M24	184	176	4.5	3.5	26
150	300	250	26	8-M24	211	204	4.5	3.5	28
200	375	320	30	12-M27	284	260	4.5	3.5	34
250	450	385	33	12-M30	345	313	4.5	3.5	38
300	515	450	33	16-M30	409	364	4.5	3.5	42
350	580	510	36	16-M33	465	422	5	4	46
400	660	585	39	16-M36	535	474	5	4	50

PN6.3MPa FM GB/T9113.2-2000									
DN	D	K	L	螺栓 (Bolt)n-Th	d	Y	f	I 2	C
15	105	75	14	4-M12	46	40	4	3	20
20	130	90	18	4-M16	56	51	4	3	22
25	140	100	18	4-M16	65	58	4	3	24
32	155	110	22	4-M20	76	66	4	3	26
40	170	125	22	4-M20	84	76	4	3	26
50	180	135	22	4-M20	99	88	4	3	26
65	205	160	22	8-M20	118	110	4	3	26
80	215	170	22	8-M20	132	121	4	3	28
100	250	200	26	8-M24	156	150	4.5	3.5	30
125	295	240	30	8-M27	184	176	4.5	3.5	34
150	345	280	33	8-M30	211	204	4.5	3.5	36
200	415	345	36	12-M33	284	260	4.5	3.5	42
250	470	400	36	12-M33	345	313	4.5	3.5	46
300	530	460	36	16-M33	409	364	4.5	3.5	52
350	600	525	39	16-M36	465	422	5	4	56
400	670	585	42	16-M39	535	474	5	4	60

PN4.0、6.3MPa FM HG20596-97

PN4.0MPa FM HG20596-97									
DN	D	K	L	螺栓 (Bolt)n-Th	d	Y	f	I 2	C
15	95	65	14	4-M12	46	40	4	3	16
20	105	75	14	4-M12	56	51	4	3	18
25	115	85	14	4-M12	65	58	4	3	18
32	140	100	18	4-M16	76	66	4	3	18
40	150	110	18	4-M16	84	76	4	3	18
50	165	125	18	4-M16	99	88	4	3	20
65	185	145	18	8-M16	118	110	4	3	22
80	200	160	18	8-M16	132	121	4	3	24
100	235	190	22	8-M20	156	150	4.5	3.5	24
125	270	220	26	8-M24	184	176	4.5	3.5	26
150	300	250	26	8-M24	211	204	4.5	3.5	28
200	375	320	30	12-M27	284	260	4.5	3.5	34
250	450	385	33	12-M30 × 2	345	313	4.5	3.5	38
300	515	450	33	16-M30 × 2	409	364	4.5	3.5	42
350	580	510	36	16-M33 × 2	465	422	5	4	46
400	660	585	39	16-M36 × 2	535	474	5	4	50

PN6.3MPa FM HG20596-97									
DN	D	K	L	螺栓 (Bolt)n-Th	d	Y	f	I 2	C
15	105	75	14	4-M12	46	40	4	3	20
20	130	90	18	4-M16	56	51	4	3	22
25	140	100	18	4-M16	65	58	4	3	24
32	155	110	22	4-M20	76	66	4	3	26
40	170	125	22	4-M20	84	76	4	3	26
50	180	135	22	4-M20	99	88	4	3	26
65	205	160	22	8-M20	118	110	4	3	26
80	215	170	22	8-M20	132	121	4	3	28
100	250	200	26	8-M24	156	150	4.5	3.5	30
125	295	240	30	8-M27	184	176	4.5	3.5	34
150	345	280	33	8-M30 × 2	211	204	4.5	3.5	36
200	415	345	36	12-M33 × 2	284	260	4.5	3.5	42
250	470	400	36	12-M33 × 2	345	313	4.5	3.5	46
300	530	460	36	16-M33 × 2	409	364	4.5	3.5	52
350	600	525	39	16-M36 × 2	465	422	5	4	56
400	670	585	42	16-M39 × 2	535	474	5	4	60

PN10.0、16.0MPa RTJ JB/T94-94

PN10.0MPa RTJ JB/T94-94									
DN	D	K	L	螺栓 (Bolt)n-Th	d	P	f	I	C
15	105	75	14	4-M12	55	35	6.5	20	
20	130	90	18	4-M16	68	45	6.5	22	
25	140	100	18	4-M16	78	50	6.5	24	
32	155	110	23	4-M20	82	65	6.5	24	
40	170	125	23	4-M20	95	75	6.5	26	
50	195	145	26	4-M24	112	85	8	28	
65	220	170	26	8-M24	138	110	8	32	
80	230	180	26	8-M24	148	115	8	34	
100	265	210	30	8-M27	172	145	8	38	
125	315	250	34	8-M30	210	175	8	42	
150	355	290	34	12-M30	250	205	8	46	
200	430	360	36	12-M33	312	265	8	54	
250	505	430	41	12-M36	382	320	8	60	
300	585	500	42	16-M39	442	375	8	74	

PN16.0MPa RTJ JB/T94-94									
DN	D	K	L	螺栓 (Bolt)n-Th	d	P	f	I	C
15	110	75	18	4-M16	52	35	6.5	24	
20	130	90	23	4-M20	62	45	6.5	26	
25	140	100	23	4-M20	72	50	6.5	28	
32	165	115	25	4-M22	85	65	6.5	30	
40	175	125	27	4-M24	92	75	6.5	32	
50	215	165	25	8-M22	132	85	8	36	
65	245	190	30	8-M27	152	110	8	44	
80	260	205	30	8-M27	168	115	8	46	
100	300	240	34	8-M30	200	145	8	48	
125	355	285	41	8-M36	238	175	8	60	
150	390	318	41	12-M36	270	205	10	66	
200	480	400	48	12-M43	345	275	11	78	
250	580	485	54	12-M48	425	330	11	88	
300	665	570	54	16-M48	510	380	14	100	

PN10.0、16.0MPa RTJ GB/T9113.4-2000

PN10.0MPa RTJ GB/T9113.4-2000									
DN	D	K	L	螺栓 (Bolt)n-Th	d	P	f	I	C
15	95	66.5	16	4-M14	51.0	34.14	5.56	20	
20	120	82.5	18	4-M16	63.5	42.88	6.35	22	
25	125	89.0	18	4-M16	70.0	50.80	6.35	24	
32	135	98.5	18	4-M16	79.5	60.32	6.35	26	
40	155	114.5	22	4-M20	90.5	68.28	6.35	28	
50	165	127.0	18	8-M16	108.0	82.55	7.92	30	
65	190	149.0	22	8-M20	127.0	101.30	7.92	34	
80	210	168.5	22	8-M20	146.0	123.82	7.92	36	
100	275	216.0	26	8-M24	175.0	149.22	7.92	40	
125	330	267.0	29.5	8-M27	210.0	180.98	7.92	40	
150	355	292.0	29.5	12-M27	241.0	211.12	7.92	44	
200	420	349.0	32.5	12-M30	302.0	269.88	7.92	52	
250	510	432.0	35.5	16-M33	356.0	323.85	7.92	60	
300	560	489.0	35.5	20-M33	413.0	381.00	7.92	68	

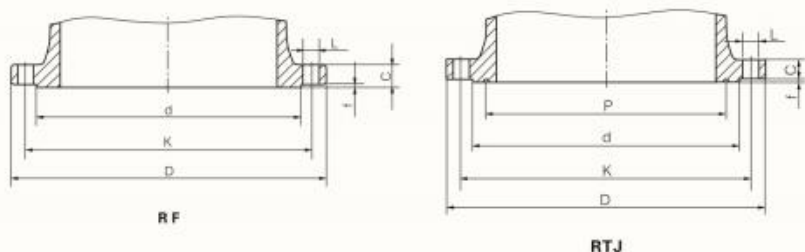
PN16.0MPa RTJ GB/T9113.4-2000									
DN	D	K	L	螺栓 (Bolt)n-Th	d	P	f	I	C
15	120	82.5	22	4-M20	60.5	39.67	6.35	20	
20	130	89.0	22	4-M20	66.5	44.45	6.35	24	
25	150	101.5	26	4-M24	71.5	50.80	6.35	24	
32	160	111.0	26	4-M24	81.0	60.32	6.35	28	
40	180	124.0	29.5	4-M27	92.0	68.28	6.35	28	
50	215	165.0	26	8-M24	124.0	95.25	7.92	30	
65	245	190.5	29.5	8-M27	137.0	107.95	7.92	34	
80	240	190.5	26	8-M24	156.0	123.82	7.92	36	
100	290	235.0	32.5	8-M30	181.0	149.22	7.92	40	
125	350	279.5	35.5	8-M33	216.0	180.98	7.92	44	
150	380	317.5	32.5	12-M30	241.0	211.12	7.92	50	
200	470	393.0	36	12-M36	308.0	269.88	7.92	60	
250	545	470.0	39	16-M36	362.0	323.85	7.92	68	
300	610	533.5	39	20-M36	419.0	381.00	7.92	78	

PN10.0、16.0MPa RTJ HG20596-97

PN10.0MPa RTJ HG20596-97									
DN	D	K	L	螺栓 (Bolt)n-Th	d	P	f	I	C
15	105	75	14	4-M12	55	35	6.5	20	
20	130	90	18	4-M16	68	45	6.5	22	
25	140	100	18	4-M16	78	50	6.5	24	
32	155	110	23	4-M20	86	65	6.5	26	
40	170	125	23	4-M20	102	75	6.5	28	
50	195	145	26	4-M24	116	85	8	30	
65	220	170	26	8-M24	140	110	8	34	
80	230	180	26	8-M24					

Integral steel pipe flange

整体钢制管法兰



CLASS 150 R F

NPS	12	3/4	1	1 1/4	1 1/2	2	2 1/2	3	4	6	8	10	12	14	16
D	90	100	110	120	130	152	178	190	229	279	343	406	483	533	597
K	60.5	70	79.5	89	98.5	120.5	139.5	152.5	190.5	241.5	298.5	362	432	476	540
L	16	16	16	16	16	18	18	18	18	22	22	26	26	29	29
n-Th	4-M14	4-M14	4-M14	4-M14	4-M14	4-M16	4-M16	4-M16	8-M16	8-M20	8-M20	12-M24	12-M24	12-M27	16-M27
d	35	43	51	63.5	73	92	105	127	157	216	270	324	381	413	470
f	2	2	2	2	2	2	2	2	2	2	2	2	2	2	2
c	10	10	11.5	13	14.5	16	18	19	24	26	29	31	32	35	37

CLASS 300 R F

NPS	12	3/4	1	1 1/4	1 1/2	2	2 1/2	3	4	6	8	10	12	14	16
D	90	120	125	135	155	165	190	210	254	318	381	445	521	584	648
K	66.5	82.5	89	98.5	114.5	127	149	168.5	200	270	330	387.5	451	514.5	571.5
L	16	18	18	18	22	18	22	22	22	26	29.5	32.5	32.5	35	35
n-Th	4-M14	4-M16	4-M16	4-M16	4-M20	8-M16	8-M20	8-M20	8-M20	12-M20	12-M24	16-M27	16-M30	20-M30	20-M33
d	35	43	51	63.5	73	92	105	127	157	216	270	324	381	413	470
f	2	2	2	2	2	2	2	2	2	2	2	2	2	2	2
c	14.5	16	17.5	19.5	21	23	26	29	32	37	42	48	51	54	58

Integral steel pipe flange

整体钢制管法兰



CLASS 600 RTJ

NPS	2	2 1/2	3	4	6	8	10
D	165	190	210	275	355	420	510
K	127	149	168.5	216	292	349	432
L	18	22	22	26	29.5	32.5	35.5
n-Th	8-M16	8-M20	8-M20	8-M24	12-M27	12-M30	16-M33
d1	108	127	146	175	241	302	356
P	82.55	101.6	123.825	149.225	211.138	269.876	323.851
f1	7.9	7.9	7.9	7.9	7.9	7.9	7.9
C1	25.5	29	32	38.5	48	55.5	63.5

CLASS 900 RTJ

NPS	2	2 1/2	3	4	6	8	10
D	216	244	241	292	381	470	545
K	165.1	190.5	190.5	234.9	317.5	393.7	469.9
L	26	29.5	26	32.5	32.5	39	39
n-Th	8-M24	8-M27	8-M24	8-M30	12-M30	12-M36 x 3	16-M36 x 3
d1	124	137	156	181	214	308	362
P	95.25	107.95	123.82	149.22	211.12	269.88	323.85
f1	7.9	7.9	7.9	7.9	7.9	7.9	7.9
C1	38.5	41.5	38.5	44.5	56	63.5	70

CLASS 1500 RTJ

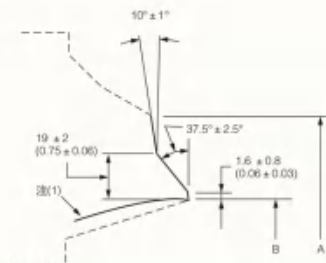
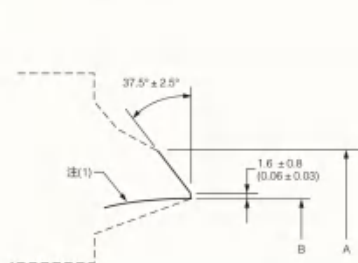
NPS	2	2 1/2	3	4	6	8	10
D	216	244	265	310	395	485	585
K	165.1	190.5	203	241.5	317.5	393.7	482.5
L	26	29.5	32.5	35.5	39	45	51
n-Th	8-M24	8-M27	8-M30	8-M33	12-M36 x 3	12-M42 x 3	16-M48 x 3
d1	124	137	168	194	248	318	371
P	95.25	107.95	136.52	161.92	211.12	269.88	323.85
f1	7.9	7.9	7.9	7.9	9.52	11.13	11.13
C1	38.5	41.5	48	54	83	92	108

CLASS 2500 RTJ

NPS	2	2 1/2	3	4	6	8	10
D	235	265	305	355	485	550	675
K	171.5	197	228.5	273	368.5	438	539.5
L	29.5	32.5	35.5	42	55	55	68
n-Th	8-M27	8-M30	8-M33	8-M39 x 3	8-M52 x 3	12-M52 x 3	16-M64 x 3
d1	133	149	168	203	279	340	425
P	101.6	111.12	127	157.18	228.6	279.4	342.9
f1	7.92	9.52	9.52	11.13	1.7	14.27	17.48
C1	51	57.5	57.5	76.5	108	127	165.5

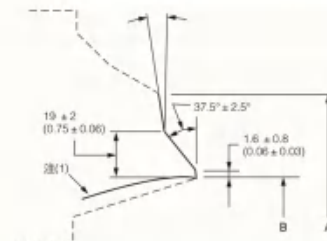
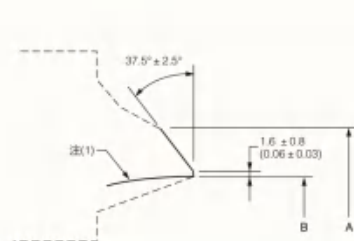
Butt-welding ends

对接焊端



Butt-welding ends

对接焊端



DN65-300

管子公称规格 DN	管壁厚度系列号 [注(1)]	焊接端部外径		B	C[注(3)]	t
		锻造或加工组件 [注(1)]A	铸钢阀门 [注(2)]A			
65	40	73.0	75	62.5	662.93	5.16
	80	73.0	75	59	59.69	7.01
	160	73.0	75	54	55.28	9.35
	X05	73.0	75	45	47.43	14.02
	40	88.9	91	78	78.25	5.49
80	80	88.9	91	73.5	74.53	7.62
	160	88.9	91	66.5	68.38	11.13
	X05	88.9	91	58.5	61.19	15.24
90	40	101.6	105	90	90.52	5.74
	80	101.6	105	85.5	86.42	8.08
	40	114.3	117	102	102.73	6.02
100	80	114.3	117	97	98.28	8.56
	120	114.3	117	92	93.78	11.13
	160	114.3	117	87.5	89.65	13.49
125	X05	114.3	117	80	83.30	17.12
	40	141.3	144	128	128.80	6.55
	80	141.3	144	122	123.58	9.3
	120	141.3	144	116	118.04	12.70
	160	141.3	144	109.5	112.47	15.88
150	X05	141.3	144	103	106.92	19.05
	40	168.3	172	154	154.82	7.11
	80	168.3	172	146.5	148.06	10.97
	120	168.3	172	140	142.29	14.27
	160	168.3	172	132	135.31	18.26
200	X05	168.3	172	124.5	128.85	21.95
	40	219.1	223	203	203.75	8.18
	60	219.1	223	196.5	200.02	10.31
	80	219.1	223	193.5	195.84	12.70
	100	219.1	223	189	191.65	15.09
250	120	219.1	223	182.5	186.11	18.26
	140	219.1	223	178	181.98	20.62
	X05	219.1	223	174.5	179.16	22.23
	160	219.1	223	173	177.79	23.01
	40	273.0	278	254.5	255.74	9.27
300	60	273.0	278	247.5	249.74	12.70
	80	273.0	278	243	245.55	15.09
	100	273.0	278	236.5	240.01	18.26
	120	273.0	278	230	234.44	21.44
	140	273.0	278	222	227.51	25.40
STD	160	273.0	278	216	221.95	28.58
	323.8	329	305	306.08	9.53	
	40	323.8	329	303	304.72	10.31
	X5	323.8	329	296.5	300.54	12.70
	60	323.8	329	295	297.79	14.27

DN300-450

管子公称规格 DN	管壁厚度系列号 [注(1)]	焊接端部外径		B	C[注(3)]	t
		锻造或加工组件 [注(1)]A	铸钢阀门 [注(2)]A			
300	80	323.8	329	289	292.17	17.48
	100	323.8	329	281	285.24	21.44
	120	323.8	329	273	278.31	25.40
	140	323.8	329	266.5	272.75	28.58
	160	323.8	329	257	264.45	33.32
350	STD	355.6	362	336.5	337.88	9.53
	40	355.6	362	333.5	335.08	11.13
	X5	355.6	362	330	332.34	12.70
	60	355.6	362	325.5	328.15	15.09
	80	355.6	362	317.5	321.22	19.05
400	100	355.6	362	308	312.86	23.83
	120	355.6	362	300	305.93	27.79
	140	355.6	362	292	299.00	31.75
	160	355.6	362	284	292.07	35.71
	STD	406.4	413	387.5	388.68	9.53
450	40	406.4	413	381	383.14	12.70
	60	406.4	413	373	376.21	16.66
	80	406.4	413	363.5	367.84	21.44
	100	406.4	413	354	359.53	26.19
	120	406.4	413	344.5	351.18	30.96
500	140	406.4	413	333.5	341.43	36.53
	160	406.4	413	325.5	334.50	40.49
	STD	457.2	464	438	439.48	9.53
	40	457.2	464	432	433.94	12.70
	X5	457.2	464	428.5	431.19	14.27
600	60	457.2	464	419	422.82	19.05
	80	457.2	464	409.5	414.46	23.83
	100	457.2	464	398.5	404.78	29.36
	120	457.2	464	387.5	395.03	34.93
	140	457.2	464	378	386.77	39.67
700	160	457.2	464	366.5	376.99	45.24

注：(1)字母代号为：
 (a) STD—标准壁厚
 (b) XS—加厚
 (c) XXS—特加厚
 (2) 所列直径为非要求尺寸，此处列出为使用者提供方便。
 (3) DN50及更小规格连续铸管不考虑内部机加工。

DN65-300

Pipe nominal specification (DN)	Series of pipe schedule thickness [Note(1)]	Welded-end out diameters		B	C[Note(3)]	t
		Forged or manufactured components [Note(1)]A	Casting steel valve [Note(2)]A			
65	40	73.0	75	62.5	662.93	5.16
	80	73.0	75	59	59.69	7.01
	160	73.0	75	54	55.28	9.35
	X05	73.0	75	45	47.43	14.02
	40	88.9	91	78	78.25	5.49
80	80	88.9	91	73.5	74.53	7.62
	160	88.9	91	66.5	68.38	11.13
	X05	88.9	91	58.5	61.19	15.24
90	40	101.6	105	90	90.52	5.74
	80	101.6	105	85.5	86.42	8.08
	40	114.3	117	102	102.73	6.02
100	80	114.3	117	97	98.28	8.56
	120	114.3	117	92	93.78	11.13
	160	114.3	117	87.5	89.65	13.49
125	X05	114.3	117	80	83.30	17.12
	40	141.3	144	128	128.80	6.55
	80	141.3	144	122	123.58	9.3
	120	141.3	144	116	118.04	12.70
	160	141.3	144	109.5	112.47	15.88
150	X05	141.3	144	103	106.92	19.05
	40	168.3	172	154	154.82	7.11
	80	168.3	172	146.5	148.06	10.97
	120	168.3	172	140	142.29	14.27
	160	168.3	172	132	135.31	18.26
200	X05	168.3	172	124.5	128.85	21.95
	40	219.1	223	203	203.75	8.18
	60	219.1	223	196.5	200.02	10.31
	80	219.1	223	193.5	195.84	12.70
	100	219.1	223	189	191.65	15.09
250	120	219.1	223	182.5	186.11	18.26
	140	219.1	223	178	181.98	20.62
	X05	219.1	223	174.5	179.16	22.23
	160	219.1	223	173	177.79	23.01
	40	273.0	278	254.5	255.74	9.27
300	60	273.0	278	247.5	249.74	12.70
	80	273.0	278	243	245.55	15.09
	100	273.0	278	236.5	240.01	18.26
	120	273.0	278	230	234.44	21.44
	140	273.0	278	222	227.51	25.40
STD	160	273.0	278	216	221.95	28.58
	323.8	329	305	306.08	9.53	
	40	323.8	329	303	304.72	10.31
	X5	323.8	329	296.5	300.54	12.70
	60	323.8	329	295	297.79	14.27

DN300-450

Pipe nominal specification (DN)	Series of pipe schedule thickness [Note(1)]	Welded-end out diameters		B	C[Note(3)]	t
		Forged or manufactured components [Note(1)]A	Casting steel valve [Note(2)]A			
300	80	323.8	329	289	292.17	17.48
	100	323.8	329	281	285.24	21.44
	120	323.8	329	273	278.31	25.40
	140	323.8	329	266.5	272.75	28.58
	160	323.8	329	257	264.45	33.32
350	STD	355.6	362	336.5	337.88	9.53
	40	355.6	362	333.5	335.08	11.13
	X5	355.6	362	330	332.34	12.70
	60	355.6	362	325.5	328.15	15.09
	80	355.6	362	317.5	321.22	19.05
400	100	355.6	362	308	312.86	23.83
	120	355.6	362	300	305.93	27.79
	140	355.6	362	292	299.00	31.75
	160	355.6	362	284	292.07	35.71
	STD	406.4	413	387.5	388.68	9.53
450	40	406.4	413	381	383.14	12.70
	60	406.4	413	373	376.21	16.66
	80	406.4	413	363.5	367.84	21.44
	100	406.4	413	354	359.53	26.19
	120	406.4	413	344.5	351.18	30.96
500	140	406.4	413	333.5	341.43	36.53
	160	406.4	413	325.5	334.50	40.49
	STD	457.2	464	438	439.48	9.53
	40	457.2	464	432	433.94	12.70
	X5	457.2	464	428.5	431.19	14.27
600	60	457.2	464	419	422.82	19.05
	80	457.2	464	409.5	414.46	23.83
	100	457.2	464	398.5	404.78	29.36
	120	457.2	464	387.5	395.03	34.93
	140	457.2	464	378	386.77	39.67
700	160	457.2	464	366.5	376.99	45.24

Note(1) Characters stand for:
 (a) STD—Standard schedule thickness
 (b) XS—Thickened
 (c) XXS—Super thickened
 (2) All the diameters are not required size, just be convenient for users.
 (3) Gasket rings for DN50 and below size are not considered to manufacture.