



HUNAN HANDA
VALVE CO., LTD
湖南翰达阀门有限公司



- 致力于为流体控制产业提供性能可靠、品质卓越的
阀门及相关流体控制产品和服务。

- Dedicated to providing valves of reliable performance and excellent quality and
related fluid control products and services for the fluid control industry.



湖南翰达
阀门有限公司

地址
湖南省澧县经济开发区
创新创业园10号楼1-2层

电话：0736-3249799
网址：www.handavalve.com
邮箱：info@handavalve.com

HUNAN HANDA
VALVE CO., LTD

Add:
1st-2nd Floor, No. 10 Pioneering Innovation Building,
economic development Zone, LI County, Hunan Province

Tel: +86 736-3249799
www.handavalve.com
info@handavalve.com



www.handavalve.com



服务热线 Service Hotline
1360-6072-028



扫一扫关注了解更多



个人咨询售后服务号

Check Valves Series
止回阀系列

International Quality, Precise Control

HUNAN HANDA VALVE CO., LTD. is a professional high-tech manufacturer of valves and automatic control equipment integrating research, development, design, production, sale and service. With a land area of 26,800m², a construction area of 40000m², and 286 employees including 58 senior and intermediate technicians, our company has CAD and CAM research, development, design and manufacturing system and ERP enterprise resource planning system. With a registered capital of RMB 58.88 million Yuan, our company has 68 sets of machining centers, CNC machine tools and metal cutting and machining equipment, as well as physical and chemical testing equipment, nondestructive inspectors, spectrum analyzers, three-dimensional measuring machines and valve comprehensive performance testing equipment, with 25 sets for each type of equipment. Our company has obtained the ISO9001 international quality system certificate, API-6D, API607 and API6FA certificates, CE certificate, special equipment production license (TS) issued by the State Technical Supervision Bureau and network access certificates in relevant industries.

The high performance Triple-eccentric and double-eccentric butterfly valves are independently researched, developed and designed by our company and have been granted more than 7 national patents. Our company mainly produces 8 series of products totaling more than 1,500 varieties and specifications including ball valves, butterfly valves and etc. that are anti-wear and anti-corrosive working under high temperature, high pressure and high vacuum with high performances for petroleum, chemical industry, metallurgy, mine, biology, medicine, cryogenic industry, air separation, nuclear power, thermal power, hydropower, machinery, water supply, gas, and oil and gas transportation pipeline and long transportation pipeline and other projects. Nominal diameter DN15-3000mm(1/2" -120"), nominal pressure 1.6Mpa-42Mpa (150LB-2500LB), working temperature -196℃~750℃, valve materials: carbon steel, stainless steel, heat resistant alloy steel, Monel, cryogenic steel and other special steel. Driving modes include manual, electric, pneumatic, gear transmission, worm gear and worm transmission, pneumatic and hydraulic linkage, electric and hydraulic linkage, and computer automatic control system. The products are sold well throughout China and are exported to USA, Europe and other places in the world.



Zero Defect Process Is The Guarantee Of Reliable Performances Of Handa Products.

Strict supervision is the guarantee to product quality. It is our tenet to avoid the occurrence of any defect and prevent quality problem from damaging our brand. We have established a complete set of reasonable and orderly inspection procedures. Guided by the thoughts of "pursuing zero failure", we will never sell one unqualified product to clients. We believe that it not only means the responsibility for customers, but also for ourselves.



Check Valves Series 止回阀系列

成套系统解决方案 Whole-set system solution

- 阀门驱动装置及配件可配套安装，统一提供。
- 可配套提供电动装置，蜗轮装置，双作用气动装置或弹簧回座气动装置，以及各种附件，包括限位装置，电磁阀和定位器。
- The valve actuator and accessories can be offered and installed.
- Electric actuator, worm gear actuator, dual action pneumatic actuator or spring return pneumatic actuator and various accessories including limit device, solenoid valve and positioner can be offered.



美标旋启式止回阀
American standard swing check valve



国标升降式止回阀
National standard lift check valve



国标升降式止回阀
National standard lift check valve



国标旋启式止回阀
National standard swing check valve



对夹式蝶形止回阀
Wafer type butterfly check valve



美标锻钢螺纹、承插焊止回阀
American forged steel threaded and socket welded check valves

HUNAN HANDA
VALVE CO., LTD

湖南翰达阀门有限公司



Devoted to providing valves of reliable performances and excellent quality and related fluid control products and services for the fluid control industry.

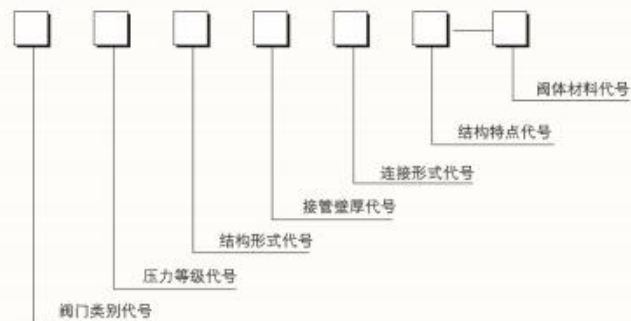
致力于为
流体控制产业
提供性能可靠、
品质卓越的阀门
及相关流体控制
产品和服务

CONTENTS

01	Check valve model schedule illustration 止回阀型号编制说明
03	Flanged & butt-welding connection swing check valve 法兰及对焊连接 旋启式止回阀
04	Bolted bonnet swing check valve 栓盖结构 旋启式止回阀
05	Pressure sealed swing check valve 压力密封结构 旋启式止回阀
06	Flanged connection swing check valve 法兰连接 旋启式止回阀
10	Flanged connection piston-lift type check valve 法兰连接 升降式止回阀
15	Wafer type double disc swing check valve 对夹连接 双瓣旋启式止回阀
16	Wafer type double disc swing check valve 对夹连接 双瓣旋启式止回阀
19	Wafer type piston-lift check valve 对夹连接 升降式止回阀
23	Forged steel check valve 锻钢止回阀
26	Integral steel pipe flange 整体钢制管法兰
29	Tables 附表
30	Butt-welding ends 对接焊端

Gheck valve model schedule illustration

止回阀型号编制说明

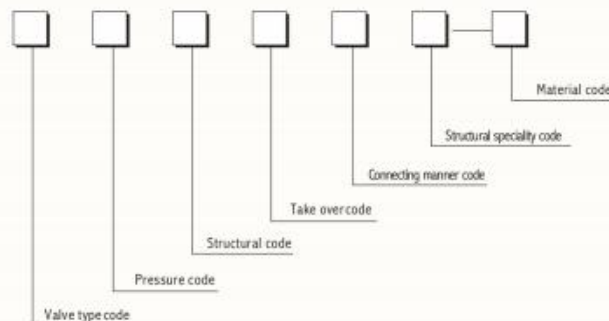


* 阀门类别代号 H - 止回阀					
* 压力等级代号	2 - Class150 3 - Class300 5 - Class600 7 - Class900 8 - Class1500 9 - Class2500 1a - 1.0MPa 2a - 1.6MPa 3a - 2.5MPa 4a - 4.0MPa 5a - 6.4MPa 6a - 10.0MPa 7a - 16.0MPa 8a - 25.0MPa				
* 结构形式代号	1 - BC-SWING (螺栓连接阀盖, 旋启式) 1A - PS-SWING (压力密封阀盖, 旋启式) 2 - BC-PISTON-LIFT (螺栓连接阀盖, 升降式) 3 - WAFER-SWING (对夹, 旋启式) 3A - WAFER-PISTON-LIFT (对夹, 升降式)				
* 传动机构代号	A - 电动 B - 气动 C - 伞齿轮传动 (手动略)				
* 接管壁厚代号					
代号	壁厚	代号	壁厚	代号	壁厚
S1	SCH10	S4	SCH40	S7	SCH120
S2	SCH20	S5	SCH60	S8	SCH140
S3	SCH30	S6	SCH80	S9	SCH160
* 连接形式代号	R - R F (凸面法兰连接) J - RJ (环槽面法兰连接) F - MF (凹凸面连接) W - BW (对焊连接)				
* 结构特点代号	FB - 栓接阀盖结构 PS - 压力密封结构				
* 阀体材料代号(国标材质代号与下列相应材质代号等同)					
1) 铸碳钢	CC10 - ASTM A216-WCB CF11-ASTM A352-LCB				
2) 铸合金钢	CA20 - ASTM A217-WC1 CA21 - ASTM A217-WC6 CA22 - ASTM A217-WC9 CA23 - ASTM A217-C5 CA24 - ASTM A217-C12				
3) 铸不锈钢	CS30 - ASTM A351-CF8 CS31 - ASTM A351-CF8M CS32 - ASTM A351-CF8C CS33 - ASTM A351-CF3 CS34 - ASTM A351-CF3M				



Gheck valve model schedule illustration

止回阀型号编制说明



* Valve type code H - Check valve					
* Pressure code	2 - Class150 3 - Class300 5 - Class600 7 - Class900 8 - Class1500 9 - Class2500 1a - 1.0MPa 2a - 1.6MPa 3a - 2.5MPa 4a - 4.0MPa 5a - 6.4MPa 6a - 10.0MPa 7a - 16.0MPa 8a - 25.0MPa				
* Structural code	1 - BC-SWING (Bolted bonnet/Swing type) 1A - PS-SWING (Pressure bonnet/Swing type) 2 - BC-PISTON-LIFT (Bolted bonnet, Piston-Lift type) 3 - WAFER-SWING (Wafer & Swing type) 3A - WAFER-PISTON-LIFT (Wafer & Piston-Lift type)				
* Driving type code	A - Electric driving B - Air motor driving C - Gear driving				
* Take over code					
Code	Thickness	Code	Thickness	Code	Thickness
S1	SCH10	S4	SCH40	S7	SCH120
S2	SCH20	S5	SCH60	S8	SCH140
S3	SCH30	S6	SCH80	S9	SCH160
* Connecting manner code	R - R F (Raised face) J - RJ (Ring joint) F - MF (Male-Female face) W - BW (Butt welded)				
* Structural speciality code	PS - Bolted bonnet structure PS - Pressure seal structure				
* Body material code					
1) Cast carbon steel	CC10 - ASTM A216-WCB CF11-ASTM A352-LCB				
2) Cast alloy steel	CA20 - ASTM A217-WC1 CA21 - ASTM A217-WC6 CA22 - ASTM A217-WC9 CA23 - ASTM A217-C5 CA24 - ASTM A217-C12				
3) Cast stainless steel	CS30 - ASTM A351-CF8 CS31 - ASTM A351-CF8M CS32 - ASTM A351-CF8C CS33 - ASTM A351-CF3 CS34 - ASTM A351-CF3M				

Flanged & butt-welding connection swing check valve

法兰及对焊连接 旋启式止回阀

Bolted bonnet swing check valve

栓盖结构 旋启式止回阀

产品结构特征

旋启式止回阀适用于压力PN1.6~42.0MPa, Class150~2500, 工作温度-46~570°C的石油、化工、制药、化肥、电力行业等各种工况的管路上, 防止介质的倒流。

其主要结构特点有:

1. 产品结构合理、密封可靠、性能优良、造型美观。
2. 密封面堆焊Co基硬质合金, 耐磨、耐蚀、抗擦伤性能好、使用寿命长。
3. 内表式的转轴结构, 减小外泄漏点, 使用可靠。
4. 当压力 ≥ 16.0 MPa, Class 1500时, 阀门中采用自紧式密封结构, 介质压力越高, 密封性能越好。
5. 零件材质及法兰、对焊端尺寸可根据实际工况或用户要求合理选配, 满足各种工程需要。

Products Design Features

Flanged & Butt-Welding Ends Swing Check Valves are used in pipes under pressures between PN1.6~16.0MPa, Class150-900lb, working temperatures between -29-570 °C. They are used in industries include oil, chemistry, pharmaceutical fertilizer, and power generation to prevent the backward flux of the media.

Main structural features:

1. Rational structure, reliable sealing, excellent performance, pretty ap pearance.
2. Co-nickel alloy welded sealing surface, anti-wearing, erosion-proof abrasion-proof and longer use life.
3. Inside-set bolt-bearing structure reduces leakage and reliable use.
4. Under pressures ≥ 16.0 MPa, Class1500, the valve body, self-tightening structure offers a tighter sealing for a higher medium pressure.
5. Different parts materials and different sizes for flange, butt-welding are available for sensible combination according to different working facts and customers' requirements.

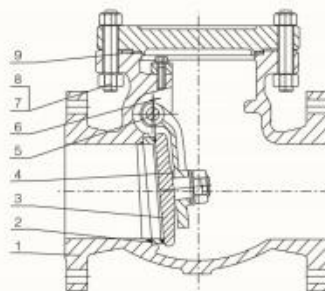
产品规格 Products specification

型号 Model	压力 Pressure	结构形式 Structural Type	公称通径 Nominal size															
			50	65	80	100	125	150	200	250	300	350	400	450	500	600	750	900
			2	2½	3	4	5	6	8	10	12	14	16	18	20	24	30	36
H2a1RFS	1.6MPa	栓盖阀盖, 旋启式 Bolted bonnet Swing type	*	*	*	*	*	*	*	*	*	*	*	*	*	*	*	*
H3a1RFS	2.5MPa		*	*	*	*	*	*	*	*	*	*	*	*	*	*	*	*
H4a1RFS	4.0MPa		*	*	*	*	*	*	*	*	*	*	*	*	*	*	*	*
H5a1RFS	6.4MPa	压力密封阀盖, 旋启式 Pressure bonnet Swing type	*	*	*	*	*	*	*	*	*	*	*	*	*	*	*	*
H6a1RFS	10.0MPa		*	*	*	*	*	*	*	*	*	*	*	*	*	*	*	*
H7a1RFS	16.0MPa		*	*	*	*	*	*	*	*	*	*	*	*	*	*	*	*
H8a1RFS	25.0MPa	栓盖阀盖, 旋启式 Bolted bonnet Swing type	*	*	*	*	*	*	*	*	*	*	*	*	*	*	*	*
H21RFS	Class 150		*	*	*	*	*	*	*	*	*	*	*	*	*	*	*	*
H31RFS	Class 300		*	*	*	*	*	*	*	*	*	*	*	*	*	*	*	*
H51RFS	Class 600	压力密封 阀盖, 旋启式 Pressure bonnet Swing type	*	*	*	*	*	*	*	*	*	*	*	*	*	*	*	*
H51AS7RFS	Class 600		*	*	*	*	*	*	*	*	*	*	*	*	*	*	*	*
H71AS7RFS	Class 900		*	*	*	*	*	*	*	*	*	*	*	*	*	*	*	*
H81AS9RFS	Class 1500	压力密封 阀盖, 旋启式 Pressure bonnet Swing type	*	*	*	*	*	*	*	*	*	*	*	*	*	*	*	*
H81AS7RFS	Class 2500		*	*	*	*	*	*	*	*	*	*	*	*	*	*	*	*

产品性能规范 Products performance specification

压力等级 Pressure grade	1.6~42.0MPa	Class150~2500
试验压力(Mpa) Test pressure	强度试验 Shell test 1.5xPN	1.5xPN
	密封试验 Sealing test 1.1xPN	1.1xPN
工作温度 Working temperature	-46°C~+570°C	
工作介质 Working medium	水、油品、天然气、腐蚀性介质等 Water, oil, natural gas, corrosive medium, etc.	

注: PN为主体材料在38°C时允许的稳定工作压力
Note: PN is requested pressure for the body material under the 38°C.



主要零件材质

Form of major parts materials

序号 No.	零件名称 Part name	材质 Material	
		ASTM	GB
1	阀体 Body	WC6, LC6, WC1, WC6, WC9, C5, C12, C8, CF8M, CF8C, CF3, CF3M	WC6, WC1, WC6, WC9, C5, C8, CF8M, CF8C, CF3, CF3M
2	阀座 Seat	A105, LF2, F11, F22, F5, F9, F304, F316, F321, F304L, F316L	25, 1013, 2013, 1018NB9T, 0018N12M2T, 2001M61V, 2502M6V
3	阀瓣 Disc	WC6, LC6, WC1, WC6, WC9, C5, C12, C8, CF8M, CF8C, CF3, CF3M	WC6, WC1, WC6, WC9, C5, C8, CF8M, CF8C, CF3, CF3M
4	摇杆 Arm	WC6, LC6, WC1, WC6, WC9, C5, C12, C8, CF8M, CF8C, CF3, CF3M	WC6, WC1, WC6, WC9, C5, C8, CF8M, CF8C, CF3, CF3M
5	销轴 Pin	F54, F22, F304, F316, F321, F304L, F316L	1013, 2013 1018NB9T, 0018N12M2T
6	连接架 Racking	WC6, LC6, WC1, WC6, WC9, C5, C12, C8, CF8M, CF8C, CF3, CF3M	WC6, WC1, WC6, WC9, C5, C8, CF8M, CF8C, CF3, CF3M
7	双头螺栓 Bolt	A193-B7, A320-B8, A193-88M, A193-L7	350MoA, 2502M6V, 0018N9, 0017N12M2
8	螺母 Nut	A194-2H, A194-8, A194-8M, A194-4	45, 350MoA, 2502M6V, 0018N9, 0017N12M2
9	垫片 Gasket	柔性石墨 + 不锈钢 Graphite & stainless steel	柔性石墨 + 不锈钢 Graphite & stainless steel

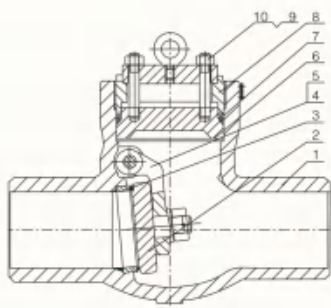
技术规范 Technical specification

设计标准 Design Standard	GB/T 12236	API 6D API 600
结构长度 Face to Face	GB/T 12221	API 6D ASME B16.10
法兰尺寸 Flanged Size	GB/T 9113 JB/T 79	ASME B16.5 ASME B16.47
试验和检验 Test & Inspection	GB/T 19672 JB/T 9092	API 598

*注: 系列阀门连接法兰尺寸可根据用户要求设计制造。
Notes: The sizes of serial valve connecting flange can be designed according to customers' requirement.

Pressure sealed swing check valve

压力密封结构 旋启式止回阀



技术规范

Technical specification

设计标准 Design Standard	GB/T 12236	API 600
结构长度 Face To Face	GB/T 12221	ASME B16.10
法兰尺寸 Flanged Size	GB/T 9113 JB/T 79	ASME B16.5
试验和检验 Test & Inspection	JB/T 9092	API 598

*注: 系列阀门连接法兰尺寸可根据用户要求设计制造。
Notes: The sizes of serial valve connecting flange can be designed according to customers' requirement.

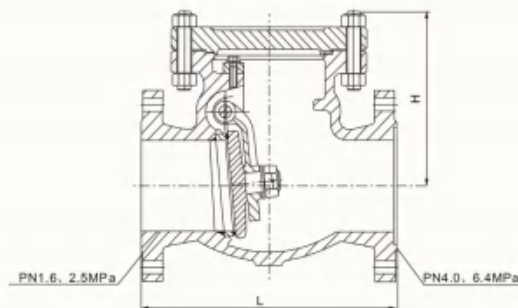
主要零件材质

Form of major parts materials

序号 No.	零件名称 Part name	材质 Material	
		ASTM	GB
1	阀体 Body	WCB, LCB, WC1, WC6, WC9, C5, C12, CF8, CF8M, CF8C, CF3, CF3M	WCB, WC1, WC6, WC9, C5, CF8, CF8M, CF8C, CF3, CF3M
2	阀瓣 Disc	WCB, LCB, WC1, WC6, WC9, C5, C12, CF8, CF8M, CF8C, CF3, CF3M	WCB, WC1, WC6, WC9, C5, CF8, CF8M, CF8C, CF3, CF3M
3	阀座 Seat	A105, LF2, F11, F22, F5, F9, F304, F316, F321, F304L, F316L	Z5, 1G18N9Ti, 0G18Ni2Mo2Ti, 20Cr1Mo1V, 25G2MoV
4	销轴 Pin	F6a, F22, F304, F316, F321, F304L, F316L	1G13, 2G13, 1G18Ni9Ti, 0G18Ni2Mo2Ti
5	摇杆 Arm	WCB, LCB, WC1, WC6, WC9, C5, C12, CF8, CF8M, CF8C, CF3, CF3M	WCB, WC1, WC6, WC9, C5, CF8, CF8M, CF8C, CF3, CF3M
6	阀盖 Bonnet	A105, LF2, F11, F22, F5, F9, F304, F316, F321, F304L, F316L	Z5, 1G18N9Ti, 0G18Ni2Mo2Ti, 20Cr1Mo1V, 25G2MoV
7	密封圈 Sealing ring	柔性石墨 Flexible Graphite	柔性石墨 Flexible Graphite
8	压盖 Cover	WCB, LCB, WC1, WC6, WC9, C5, C12, CF8, CF8M, CF8C, CF3, CF3M	WCB, WC1, WC6, WC9, C5, CF8, CF8M, CF8C, CF3, CF3M
9	双头螺栓 Stud	A193-B7, A320-B8, A193-B8M, A193-L7	35CrMoA, 25G2MoV, 0G18Ni9, 0G17Ni2Mo2
10	螺母 Nut	A194-2H, A194-8, A194-8M, A194-4	45, 35CrMoA, 25G2MoV, 0G18Ni9, 0G17Ni2Mo2

Flanged connection swing check valve

法兰连接 旋启式止回阀

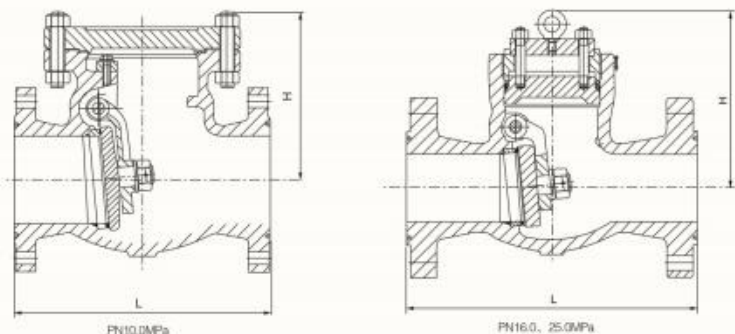


尺寸及重量 Size & weight

型号 Model	1.6-2.0MPa																		
	Size	in	1 1/2	2	2 1/2	3	4	5	6	8	10	12	14	16	18	20	24	30	36
L-L1 (RF)	in	6.5	8	8.5	9.5	11.5	13	14	19.5	24.5	27.5	31	34	38.5	38.5	51	60	77	95
L2 (RF)	in	7.0	8.5	9	10	12	13.5	14.5	20	25	28	31.5	34.5	39	39	51.5	60.5	77.5	96
H	in	6.69	6.88	7	7.5	8.63	9.25	12.75	15.13	17.63	21.25	22	24.63	25.63	26.63	34.63	45.25	53.13	63
WT (kg)	R F	18	20	24	35	55	84	96	160	245	345	510	660	850	1050	1450	2350	3350	4350
	BW	12	14	17	26	37	52	80	133	213	294	440	568	750	920	1270	2250	3150	4150
型号 Model	2.5-5.0MPa																		
	Size	in	1 1/2	2	2 1/2	3	4	5	6	8	10	12	14	16	18	20	24	30	36
L-L1 (RF)	in	9.5	10.5	11.5	12.5	14	15.75	17.5	21	24.5	28	33	34	38.5	40	53	62.75	82	102
L2 (RF)	in	10	11.12	12.12	13.15	14.62	16.37	18.12	21.62	25.12	28.62	33.62	34.62	39.12	40.75	53.88	63.75	83.11	103
H	in	7.4	7.75	8	8.75	10.88	11.63	13.25	16.25	18.25	22.13	23.5	25.38	29.88	33.63	37	50	60.63	75
WT (kg)	R F	31	35	37	60	82	110	155	268	380	495	710	950	1200	1350	2200	3400	5000	6500
	BW	28	32	35	50	65	70	128	230	360	460	555	800	970	1070	1780	2950	4300	5700
型号 Model	10.0MPa																		
	Size	in	2	2 1/2	3	4	5	6	8	10	12	14	16	18	20	24	26	28	30
L-L1 (RF)	in	11.5	13	14	17	22	26	31	33	33	35	39	43	47	55	57	63	65	75
L2 (RF)	in	11.62	13.12	14.12	17.12	22.12	26.12	31.12	33.12	33.12	35.12	39.12	43.12	47.25	55.38	57.5	63.5	65.5	75.5
H	in	8.25	8.63	10.5	11.25	15	18.75	21.63	22.63	26.38	30.13	35.25	38.38	43.75	48	53.13	56.25	62.5	72.5
WT (kg)	R F	40	55	72	120	270	420	620	810	1100	1450	1800	2100	3000	3500	4100	5000	6000	7500
	BW	31	45	60	85	225	365	500	715	880	1140	1450	1650	2300	3000	3500	4300	5300	6800

Flanged connection swing check valve

法兰连接 旋启式止回阀



尺寸及重量 Size & weight

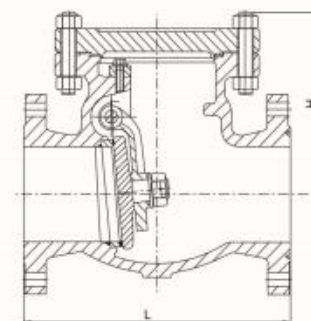
型号 Model	15.0MPa									
Size	in	2	2½	3	4	6	8	10	12	
	mm	50	65	80	100	150	200	250	300	
L-L1 (RF)	in	14.5	16.5	15	18	24	29	33	38	
	mm	368	419	381	457	610	737	838	965	
L2 (RT)	in	14.62	16.62	15.12	18.12	24.12	29.12	33.12	38.12	
	mm	371	422	384	460	613	740	841	968	
H	in	12.63	13.75	12.63	16	18.88	22.25	26.13	30.5	
	mm	321	349	321	406	479	565	664	775	
WT (kg)	R.F	70	160	90	150	305	516	810	1120	
	BW	50	71	68	11.3	230	387	632	901	

型号 Model	25.0MPa									
Size	in	2	2½	3	4	6	8	10	12	
	mm	50	65	80	100	150	200	250	300	
L-L1 (RF)	in	14.5	16.5	18.5	21.5	27.75	32.75	39	44.5	
	mm	368	419	470	546	705	832	991	1130	
L2 (RT)	in	14.62	16.62	18.62	21.62	28	33.15	39.4	45.12	
	mm	371	422	473	549	711	842	990	1146	
H	in	12.63	13.75	14.38	16.5	20.13	26.75	29.75	33.75	
	mm	321	349	365	419	511	680	756	857	
WT (kg)	R.F	70	110	170	300	695	1190	1850	2750	
	BW	50	87	135	245	560	965	1480	2180	

型号 Model	42.0MPa									
Size	in	2	2½	3	4	6	8	10	12	
	mm	50	65	80	100	150	200	250	300	
L-L1 (RF)	in	17.75	20	22.75	26.5	36	40.25	50	56	
	mm	451	508	578	673	914	1022	1270	1422	
L2 (RT)	in	17.87	20.25	23	26.88	36.5	40.87	50.88	56.88	
	mm	454	514	584	683	927	1038	1292	1445	
H	in	16.38	16.5	17.38	18.88	20.13	28	33.5	39.38	
	mm	416	419	441	479	511	711	851	1000	
WT (kg)	R.F	150	240	350	650	1450	2550	3950	5700	
	BW	120	195	280	540	1200	2200	3150	4550	

Flanged connection swing check valve

法兰连接 旋启式止回阀



尺寸及重量 Size & weight

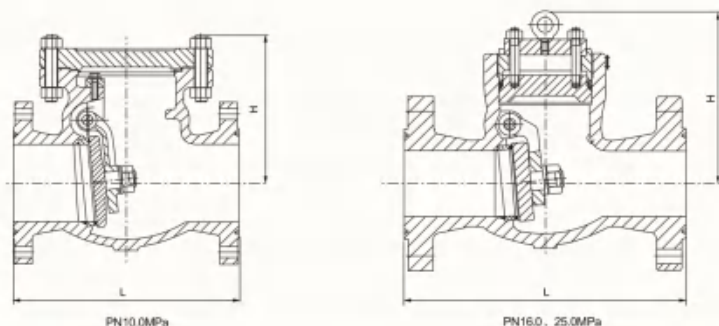
Class150~600

型号 Model	Class 150													
Size	mm	50	65	80	100	150	200	250	300	350	400	450	500	
	in	2	2½	3	4	6	8	10	12	14	16	18	20	
L(mm)		203	216	241	292	356	495	622	699	787	864	978	978	
H(mm)		165	182	195	208	260	295	350	405	446	493	515	540	
重量 Weight (kg)		17	26	32	45	75	135	200	275	385	442	630	760	

型号 Model	Class 300													
Size	mm	50	65	80	100	150	200	250	300	350	400	450	500	
	in	2	2½	3	4	6	8	10	12	14	16	18	20	
L(mm)		267	292	318	356	444	533	622	711	838	864	978	1016	
H(mm)		175	186	212	238	302	362	392	440	460	530	582	615	
重量 Weight (kg)		22	24	38	52	86	165	204	278	402	545	683	862	

型号 Model	Class 600											
Size	mm	50	65	80	100	150	200	250	300	350	400	
	in	2	2½	3	4	6	8	10	12	14	16	
L(mm)		295	334	359	435	562	664	791	842	892	991	
H(mm)		200	219	232	282	330	378	452	575	590	635	
重量 Weight (kg)		32	42	61	112	205	385	575	775	982	1056	

Flanged connection swing check valve 法兰连接 旋启式止回阀



尺寸及重量 Size & weight

Class 900

型号 Model		Class 900										
Size	in.	2	2 1/2	3	4	6	8	10	12	14	16	
	mm	50	65	80	100	150	200	250	300	350	400	
L (BW)	in.	8.5	10	12	14	20	26	31	36	39	43	
	mm	216	254	305	356	508	660	787	914	991	1092	
L1 (RF)	in.	14.5	16.5	15	18	24	29	33	38	40.5	44.5	
	mm	368	419	381	457	610	737	838	965	1029	1130	
L2 (RTJ)	in.	14.62	16.62	15.12	18.12	24.12	29.12	33.12	38.12	40.88	44.88	
	mm	371	422	384	460	613	740	841	968	1038	1140	
H	in.	7.4	8.27	8.27	8.5	14.5	20.12	24.17	27.76	28.98	29.76	
	mm	188	210	210	216	368	511	614	705	736	756	
WT (kg)	R F	48	63	60	122	254	511	938	1448	1723	1832	
	BW	33	44	42	76	177	383	703	1128	1353	1463	

型号 Model		Class 1500										
Size	in.	2	2 1/2	3	4	6	8	10	12	14	16	
	mm	50	65	80	100	150	200	250	300	350	400	
L (BW)	in.	8.5	10	12	16	22	28	34	39	42	47	
	mm	216	254	305	406	559	711	864	991	1067	1194	
L1 (RF)	in.	14.5	16.5	18.5	21.5	27.75	32.75	39	44.5	49.5	54.5	
	mm	368	419	470	546	705	832	991	1130	1257	1384	
L2 (RTJ)	in.	14.62	16.62	18.62	21.62	28	33.13	39.38	45.12	50.25	55.38	
	mm	371	422	473	549	711	841	1000	1146	1276	1407	
H	in.	10.43	10.43	10.63	14.57	18.7	22.44	24.8	30.31	31.3	32.44	
	mm	265	265	270	370	475	570	630	770	795	824	
WT (kg)	R F	58	73	71	128	332	588	1023	1528	1852	2058	
	BW	40	51	69	84	228	458	713	1148	1388	1542	

型号 Model		Class 2500										
Size	in.	2	2 1/2	3	4	6	8	10	12	14	16	
	mm	50	65	80	100	150	200	250	300	350	400	
L (BW)	in.	11	13	14.5	18	24	30	36	41	-	-	
	mm	279	330	368	457	610	762	914	1041	-	-	
L1 (RF)	in.	17.75	20	22.75	26.5	36	40.25	50	56	-	-	
	mm	451	508	578	673	914	1022	1270	1422	-	-	
L2 (RTJ)	in.	17.87	20.25	23	26.88	36.5	40.87	50.88	56.88	-	-	
	mm	454	514	584	683	927	1038	1292	1445	-	-	
H	in.	11.02	12	12.2	14.57	19.1	21.42	27.95	31.5	-	-	
	mm	280	305	310	370	485	544	710	800	-	-	
WT (kg)	R F	86	113	133	213	548	988	1598	2298	-	-	
	BW	52	88	93	158	383	638	1198	1723	-	-	

Flanged connection piston-lift type check valve 法兰连接 升降式止回阀

产品结构特征

法兰连接升降式止回阀适用于公称压力PN1.6~16.0MPa, Class150~900, 工作温度-46~550°C的石油、化工、制药、化肥、电力行业等各种工况的管路上, 防止介质的倒流。

其主要结构特点有:

1. 产品结构合理, 密封可靠, 性能优良, 造型美观。
2. 阀瓣、阀座密封面堆焊Co基硬质合金, 耐磨、耐蚀、抗擦伤性能好、使用寿命长。
3. 零件材质及法兰、垫片尺寸可根据实际工况或客户要求合理选配, 满足各种工程需要。

Products design features

Ranged ends piston lift type check valve are used in pipes under nominal pressures between PN1.6-16.0Mpa, Class150-900, working temperatures between -46-550°C, they are used in industries include oil, chemistry, pharmaceutical, fertilizer, and power generation to prevent the backward flux of the media.

Main structural features:

1. Rational structure, reliable sealing, excellent performance, pretty appearance.
2. Co hard alloy welded sealing surface of the valve discs and seats, which is wearing resistant, erosion proof, abrasion proof and long-lived.
3. Different parts materials and different sizes for flange, & gasket-welding are available for sensible combination according to different working facts and customer's requirements.

产品规格 PRODUCTS SPECIFICATION

型号 Model	压力 Pressure	结构形式 Structural Type	公称口径 Nominal size										
			DN	50	65	80	100	125	150	200	250	300	
			NPS	2	2 1/2	3	4	5	6	8	10	12	
H2a2RF5	1.6MPa	栓接阀盖、 升降式 Bolted bonnet Piston-lift type		☆	☆	☆	☆	☆	☆	☆	☆	-	-
H3a2RF5	2.5MPa		☆	☆	☆	☆	☆	☆	☆	☆	-	-	
H4a2FF5	4.0MPa		☆	☆	☆	☆	☆	☆	☆	☆	-	-	
H5a2FF5	6.4MPa		☆	☆	☆	☆	☆	☆	☆	☆	-	-	
H6a2FF5	10.0MPa		☆	☆	☆	☆	☆	☆	☆	☆	-	-	
H7a2FF5	16.0MPa		☆	☆	☆	☆	-	-	-	-	-	-	
H22RF5	Class 150		☆	☆	☆	☆	☆	☆	☆	☆	☆	☆	
H32RF5	Class 300		☆	☆	☆	☆	☆	☆	☆	☆	☆	☆	
H52FF5	Class 600		☆	☆	☆	☆	☆	☆	☆	☆	☆	☆	
H72FF5	Class 900		☆	☆	☆	☆	☆	☆	-	-	-	-	

产品性能规范 Products performance specification

压力等级 Pressure grade		1.6~16.0MPa	Class150~900
试验压力 (Mpa) Test pressure	强度试验 Shell test	1.5xPN	
	密封试验 Sealing test	1.1xPN	
工作温度 Working temperature		-46°C~+570°C	
工作介质 Working Medium		水、油品、天然气、腐蚀性介质等 Water, oil, natural gas, corrosive medium, etc.	

注: PN为主体材料在38°C时允许的额定工作压力
Note: PN is requested pressure for the body material under the 38°C.

Flanged connection Piston-lift type Check valve

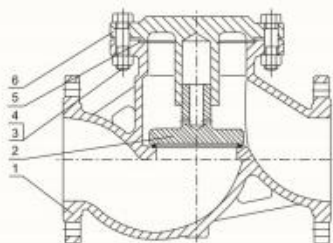
法兰连接 升降式止回阀



Flanged connection piston-lift type check valve

法兰连接 升降式止回阀

主要零件材质 Form of major parts materials

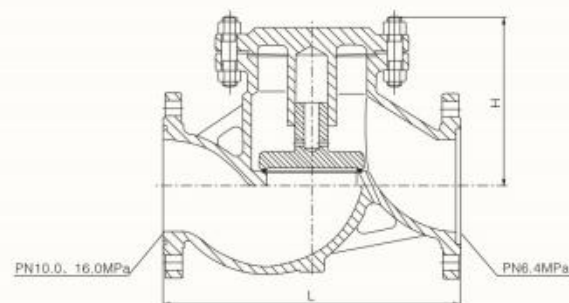


序号 No.	零件名称 Part name	材质 Material	
		ASTM	GB
1	阀体 Body	WCB, LCB, WC1, WC6, WC9, C5, C12CF8, CF8M, CF8C, CF3, CF3M	WCB, WC1, WC6, WC9, C5, CF8, CF8M, CF8C, CF3, CF3M
2	阀瓣 Disc	WCB, LCB, WC1, WC6, WC9, C5, C12, CF8, CF8M, CF8C, CF3, CF3M	WCB, WC1, WC6, WC9, C5, CF8, CF8M, CF8C, CF3, CF3M
3	双头螺栓 Stud	A193-B7, A320-B8 A193-B8M, A193-L7	35CrMoA, 25Cr2MoV, 0Cr18Ni9, 0Cr17Ni12Mo2
4	螺母 Nut	A194-2H, A194-8, A194-8M, A194-4	45, 35CrMoA, 25Cr2MoV, 0Cr18Ni9, 0Cr17Ni12Mo2
5	垫片 Gasket	柔性石墨 + 不锈钢 Graphite & stainless steel	柔性石墨 + 不锈钢 Graphite & stainless steel
6	阀盖 Bonnet	WCB, LCB, WC1, WC6, WC9, C5, C12, CF8, CF8M, CF8C, CF3, CF3M	WCB, WC1, WC6, WC9, C5, CF8, CF8M, CF8C, CF3, CF3M

技术规范 Technical specification

设计标准 Design Standard	GB/T 12235	BS1868
结构长度 Face to Face	GB/T 12221	ASME B16.10
法兰尺寸 Flanged Size	GB/T 9113 JB/T 79	ASME B16.5
试验和检验 Test & Inspection	JB/T 9092	API 598

*注：系列阀门法兰尺寸可根据用户要求设计制造。
Notes: The sizes of serial valve connecting flange can be designed according to customer's requirement.



尺寸及重量 Size & weight

PN1.6~4.0MPa

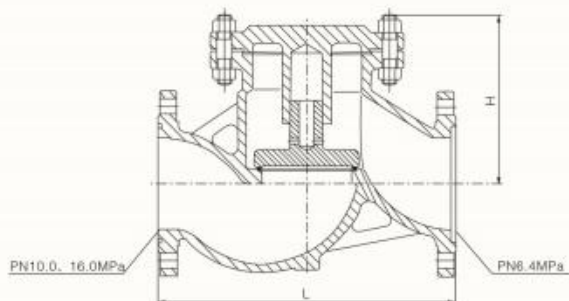
型号 Model	H2a2RFS-CC10, CA20, CS30						
压力 Pressure	1.6MPa						
口径 Size (mm)	50	65	80	100	125	150	200
L (mm)	230	290	310	350	400	480	600
H (mm)	115	140	175	203	228	250	285
重量 Weight (Kg)	20	24	30	42	59	84	100

型号 Model	H3a2RFS-CC10, CA20, CS30						
压力 Pressure	2.5MPa						
口径 Size (mm)	50	65	80	100	125	150	200
L (mm)	230	290	310	350	400	480	600
H (mm)	115	140	175	203	228	250	285
重量 Weight (Kg)	21	25	31	42	60	86	102

型号 Model	H4a2RFS-CC10, CA20, CS30						
压力 Pressure	4.0MPa						
口径 Size (mm)	50	65	80	100	125	150	200
L (mm)	230	290	310	350	400	480	600
H (mm)	115	160	178	203	228	265	317
重量 Weight (Kg)	17	22	34	42	75	105	150

Flanged connection Piston-lift type Check valve

法兰连接 升降式止回阀



尺寸及重量 Size & weight

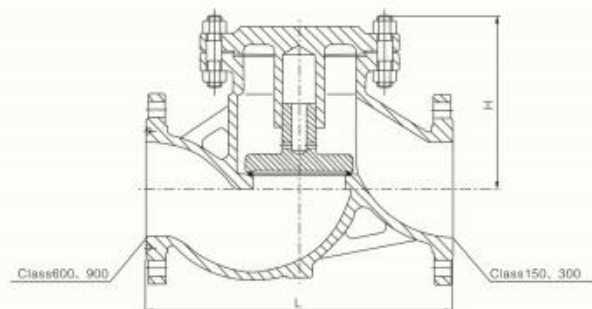
PN6.4~16.0MPa

型号 Model	H5a2FFS-CC10、CA20、CS30						
压力 Pressure	6.4MPa						
口径 Size (mm)	50	65	80	100	125	150	200
L (mm)	300	340	380	430	500	550	600
H (mm)	175	190	208	230	265	312	353
重量 Weight (Kg)	30	36	48	70	102	145	198
型号 Model	H3a2RFS-CC10、CA20、CS30						
压力 Pressure	10.0MPa						
口径 Size (mm)	50	65	80	100	125	150	200
L (mm)	300	340	380	430	500	550	600
H (mm)	175	193	238	269	313	355	403
重量 Weight (Kg)	30	43	65	89	102	123	148
型号 Model	H4a2FFS-CC10、CA20、CS30						
压力 Pressure	16.0MPa						
口径 Size (mm)	50	65	80	100			
L (mm)	300	340	380	430			
H (mm)	175	193	238	269			
重量 Weight (Kg)	32	46	240	273			



Flanged connection piston-lift type check valve

法兰连接 升降式止回阀



尺寸及重量 Size & weight

Class150~900

型号 Model	H22RFS-CC10、CA20、CS30									
压力 Pressure	Class150									
Size	mm	50	65	80	100	150	200	250	300	
	in	2	2 1/2	3	4	6	8	10	12	
L(mm)		203	216	241	292	356	495	622	698	
H(mm)		165	175	190	215	265	320	365	415	
重量 Weight (Kg)		17	25	29	50	85	150	240	350	
型号 Model	H32RFS-CC10、CA20、CS30									
压力 Pressure	Class300									
Size	mm	50	65	80	100	150	200	250	300	
	in	2	2 1/2	3	4	6	8	10	12	
L(mm)		267	292	318	356	444	533	622	711	
H(mm)		190	205	220	245	295	330	420	480	
重量 Weight (Kg)		28	33	45	70	150	230	390	520	
型号 Model	H52JFS-CC10、CA20、CS30									
压力 Pressure	Class600									
Size	mm	50	65	80	100	150	200	250	300	
	in	2	2 1/2	3	4	6	8	10	12	
L(mm)		295	334	359	435	562	664	791	842	
H(mm)		210	230	255	295	365	420	505	545	
重量 Weight (Kg)		33	43	62	113	222	390	630	871	
型号 Model	H72JFS-CC10、CA20、CS30									
压力 Pressure	Class900									
Size	mm	50	65	80	100	150				
	in	2	2 1/2	3	4	6				
L(mm)		372	422	384	460	613				
H(mm)		235	270	302	342	425				
重量 Weight (Kg)		120	166	176	182	403				

Wafer type double disc swing check valve

对夹连接 双瓣旋启式止回阀



其主要结构特点有:

1. 产品结构长度短, 体积小, 重量轻。
2. 密封面可根据不同的工况条件选用软密封或硬密封材质, 密封性能好。
3. 开启压力很小, 阀瓣在很小的压差下就能完全打开。
4. 阀瓣关闭快速, 水锤压力小。
5. 水平或垂直管道均可使用, 安装方便。
6. 零件材质及阀门端面形式、尺寸可根据实际工况或和用户要求合理选配, 满足各种工程需要。

Main structural features:

1. Short length, small volume and light weight.
2. Either soft sealing or hard sealing can be applied for the sealing surface according to different working conditions, both of which promise a perfect sealing effect.
3. With a small starting pressure, the valve discs can be fully opened under a very small pressure difference.
4. Fast discs closing and small water hammer pressure.
5. Convenient installation and applicability on both level and vertical pipes.
6. Different materials for the parts, sizes and forms of the valves surfaces are available for free combination according to the working facts and the customer's requirements.

产品结构特征 Products design features

对夹连接旋启式止回阀适用于压力PN1.0~16.0MPa, Class150~900, 工作温度-196~425°C的各种工况的管路上, 防止介质的倒流。

Wafer type double disc swing check valves are used in all kinds of pipes under the pressure of PN1.0~16.0MPa, class 150-900 and working temperature of -196-425°C. They are mainly used to prevent the reverse flux of the media.

产品规格 Products specification

型号 Model	压力 Pressure	公称通径 Nominal size (mm/in)															
		DN	50	65	80	100	125	150	200	250	300	350	400	450	500	600	
		NPS	2	2½	3	4	5	6	8	10	12	14	16	18	20	24	
H1a3R	1.0MPa	☆	☆	☆	☆	☆	☆	☆	☆	☆	☆	☆	☆	☆	☆	☆	
H2a3R	1.6MPa	☆	☆	☆	☆	☆	☆	☆	☆	☆	☆	☆	☆	☆	☆	☆	
H3a3R	2.5MPa	☆	☆	☆	☆	☆	☆	☆	☆	☆	☆	☆	☆	☆	☆	☆	
H4a3F	4.0MPa	☆	☆	☆	☆	☆	☆	☆	☆	☆	☆	☆	-	-	-	-	
H5a3F	6.4MPa	☆	☆	☆	☆	☆	☆	☆	☆	☆	-	-	-	-	-	-	
H6a3J	10.0MPa	☆	☆	☆	☆	☆	☆	☆	☆	☆	-	-	-	-	-	-	
H7a3J	16.0MPa	☆	☆	☆	☆	☆	☆	☆	-	-	-	-	-	-	-	-	
H23R	Class 150	☆	☆	☆	☆	☆	☆	☆	☆	☆	☆	☆	☆	☆	☆	☆	
H33R	Class 300	☆	☆	☆	☆	☆	☆	☆	☆	☆	☆	☆	-	-	-	-	
H53J	Class 600	☆	☆	☆	☆	☆	☆	☆	☆	☆	-	-	-	-	-	-	
H73J	Class 900	☆	☆	☆	☆	☆	☆	☆	-	-	-	-	-	-	-	-	

产品性能规范 Products performance specification

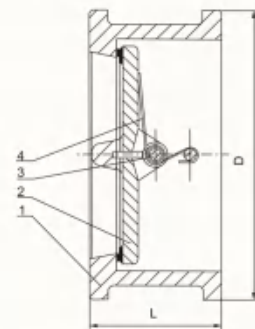
压力等级 Pressure grade	1.6~16.0MPa	Class150~900
试验压力(Mpa) Test pressure	强度试验 Shell test 1.5xPN	1.5xPN
	密封试验 Sealing test 1.1xPN	1.1xPN
工作温度 Working temperature	-46°C~+425°C	
工作介质 Working Medium	水、油品、天然气、腐蚀性介质等 Water, oil, natural gas, corrosive medium, etc.	

注: PN为壳体材料在38°C时允许的稳定工作压力
Note: PN is requested pressure for the body material under the 38°C.



Wafer type double disc swing check valve

对夹连接 双瓣旋启式止回阀



技术规范 Technical specification

设计标准 Design Standard	GB/T 12224	API 594
结构长度 Face to Face	GB/T 12221	API 594 ASME B16.10
法兰尺寸 Flanged Size	GB/T 9113 JB/T 79	ASME B16.5
试验和检验 Test & Inspection	JB/T 9092	API 598

*注: 系列阀门连接法兰尺寸可根据用户要求设计制造。
Notes: The sizes of serial valve connecting flange can be designed according to customer's requirement.

主要零件材质 Form of major parts materials

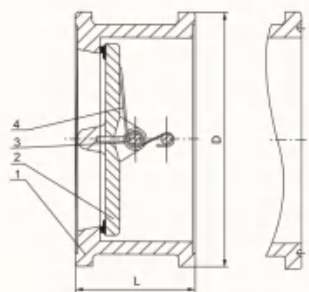
序号 No.	零件名称 Part Name	材质 Material
1	阀体 Body	WCB CF8、CF8M、CF8C、CF3、CF3M
2	阀瓣 Disc	WCB CF8、CF8M、CF8C、CF3、CF3M
3	阀轴 Pin	1Cr13、2Cr13 1Cr18Ni9Ti、0Cr18Ni12Mo2Ti
4	弹簧 Spring	4Cr13、60Si2Mn 1Cr18Ni9Ti、0Cr18Ni12Mo2Ti

尺寸及重量 Size & weight

型号 Model	H1a3R-CC10、CS30															
压力 Pressure	1.0MPa															
尺寸 (mm)	50	65	80	100	125	150	200	250	300	350	400	450	500	600		
L (mm)	60	67	73	73	86	98	127	146	181	184	191	203	219	222		
H (mm)	109	129	144	164	194	220	275	330	380	440	492	542	597	698		
重量 Weight (Kg)	2	3	4.2	6.2	7.5	11.5	20.2	31	48.2	72.5	104.5	151	180	300		
型号 Model	H2a3R-CC10、CS30															
压力 Pressure	1.6MPa															
尺寸 (mm)	50	65	80	100	125	150	200	250	300	350	400	450	500	600		
L (mm)	60	67	73	73	86	98	127	146	181	184	191	203	219	222		
H (mm)	109	129	144	164	194	220	275	332	387	447	498	558	620	734		
重量 Weight (Kg)	2	3	4.2	6.2	7.5	11.5	20.2	32	51	73	108	160	200	320		
型号 Model	H3a3R-CC10、CS30															
压力 Pressure	2.5MPa															
尺寸 (mm)	50	65	80	100	125	150	200	250	300	350	400	450	500	600		
L (mm)	60	67	73	73	86	98	127	146	181	184	191	203	219	222		
H (mm)	109	129	144	170	197	227	287	343	403	460	518	568	624	734		
重量 Weight (Kg)	2	3	4.2	6.2	9	12.5	23	40	55	82	118	212	240	412		

Wafer type double disc swing check valve

对夹连接 双瓣旋启式止回阀



PN4.0, 6.4MPa PN≥10.0MPa

技术规范 Technical specification

设计标准 Design Standard	GB/T 12224	API 594
结构长度 Face to Face	GB/T 12221	API 594 ASME B16.10
法兰尺寸 Flanged Size	GB/T 9113 JB/T 79	ASME B16.5
试验和检验 Test & Inspection	JB/T 9092	API 598

*注: 系列阀门连接法兰尺寸可根据用户要求设计制造。
Notes: The sizes of serial valve connecting flange can be designed according to customer's requirement.

主要零件材质 Form of major parts materials

序号 No.	零件名称 Part Name	材质 Material
1	阀体 Body	WCB CF8, CF8M, CF8C, CF3, CF3M
2	阀瓣 Disc	WCB CF8, CF8M, CF8C, CF3, CF3M
3	销轴 Pin	1Cr13, 2Cr13 1Cr18Ni9Ti, 0Cr18Ni12Mo2Ti
4	弹簧 Spring	4Cr13, 60Si2Mn 1Cr18Ni9Ti, 0Cr18Ni12Mo2Ti

尺寸及重量 Size & weight

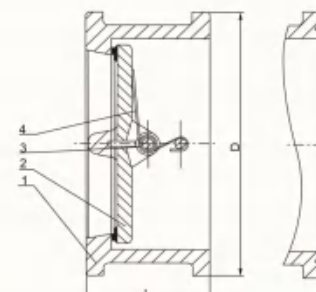
PN4.0~16.0MPa

型号 Model	H4a3F-CC10, CS30															
压力 Pressure	4.0MPa															
Size (mm)	50	65	80	100	125	150	200	250	300	350	400	450	500	600		
L (mm)	60	67	73	73	86	98	127	146	181	222	232	-	-	-		
H (mm)	109	129	144	170	197	227	293	355	420	478	549	-	-	-		
重量 Weight (Kg)	3.5	5	7.2	9.3	16	18	30	52	87	121	162	-	-	-		
型号 Model	H5a3F-CC10, CS30															
压力 Pressure	6.4MPa															
Size (mm)	50	65	80	100	125	150	200	250	300	350	400	450	500	600		
L (mm)	60	67	73	79	105	136	165	213	229	-	-	-	-	-		
H (mm)	115	140	150	177	213	250	313	364	424	-	-	-	-	-		
重量 Weight (Kg)	3.5	5	7.2	12	22	34	48	77	112	-	-	-	-	-		
型号 Model	H6a3J-CC10, CS30							H7a3J-CC10, CS30								
压力 Pressure	10.0MPa							16.0MPa								
Size (mm)	50	65	80	100	125	150	200	250	300	50	65	80	100	125	150	200
L (mm)	60	67	73	73	105	136	165	213	229	70	83	83	102	110	159	206
H (mm)	122	147	157	183	220	260	324	394	458	143	163	178	210	249	282	358
重量 Weight (Kg)	4	6	8	12	21	34	48	77	112	7	10	15	25	30	43	55



Wafer type double disc swing check valve

对夹连接 双瓣旋启式止回阀



Class150, 300 Class600, 900

技术规范 Technical specification

设计标准 Design Standard	API 594
结构长度 Face to Face	ASME B16.10
连接法兰 Flanged Ends	ASME B16.5
试验和检验 Test & Inspection	API 598

*注: 系列阀门连接法兰尺寸可根据用户要求设计制造。
Notes: The sizes of serial valve connecting flange can be designed according to customer's requirement.

主要零件材质 Form of major parts materials

序号 No.	零件名称 Part Name	材质 Material
1	阀体 Body	ASTM A216-WCB, ASTM A352-LCB ASTM A351-F8, CF8M, CF8C, CF3, CF3M
2	阀瓣 Disc	ASTM A216-WCB, ASTM A352-LCB ASTM A351-F8, CF8M, CF8C, CF3, CF3M
3	销轴 Pin	ASTM A182-F6a, ASTM A182-F22 ASTM A182-F304, F316, F321, F304L, F316L
4	弹簧 Spring	ANSI 9260, ANSI 6190 ASTM A182-F304, F316, F321, F304L, F316L

尺寸及重量 Size & weight

Class 150~900

型号 Model	H23R-CC10, CS30																	
Class	150																	
Size	mm	50	65	80	100	125	150	200	250	300	350	400	450	500	600			
	in	2	2½	3	4	5	6	8	10	12	14	16	18	20	24			
L(mm)		60	67	73	73	86	98	127	146	181	184	191	203	219	222			
H(mm)		103	122	135	173	196	222	279	339	409	450	514	549	606	717			
重量 Weight (Kg)		2	3.2	4	6	9	12	22	38	54	80	118	210	240	410			
型号 Model	H33R-CC10, CS30																	
Class	300																	
Size	mm	50	65	80	100	125	150	200	250	300	350	400	450	500	600			
	in	2	2½	3	4	5	6	8	10	12	14	16	18	20	24			
L(mm)		60	67	73	73	86	98	127	146	181	222	232	-	-	-			
H(mm)		110	129	148	180	215	250	307	361	422	485	539	-	-	-			
重量 Weight (Kg)		3.5	5	7	10	18.5	19	33	54	88	128	169	-	-	-			
型号 Model	H53J-CC10, CS30							H73J-CC10, CS30										
Class	600							900										
Size	mm	50	65	80	100	125	150	200	250	300	350	400	50	65	80	100	150	200
	in	2	2½	3	4	5	6	8	10	12	14	16	2	2½	3	4	6	8
L(mm)		60	67	73	79	105	136	165	213	229	273	305	70	83	83	102	159	206
H(mm)		110	129	148	192	240	265	319	399	456	489	562	142	164	167	205	288	358
重量 Weight (Kg)		3.5	5	7	12	22.5	35	45	77	110	135	163	6.5	9	14	24	43	56

Wafer type piston-lift check valve

对夹连接 升降式止回阀



产品结构特征 Products design features

对夹连接升降式止回阀适用于压力PN1.0~16.0MPa, Class150~900, 工作温度-196~425℃的各种工况的管路上, 防止介质的倒流。

Wafer & Piston-Lift Type Check Valves are used in all kinds of pipes under the pressure of PN 1.0-16.0Mpa and working temperature of -196-425℃ of class 150-900. They are mainly used to prevent the reverse flux of the media. The main structure features are:

其主要结构特点有:

1. 产品结构长度短、体积小、重量轻。
2. 密封面堆焊硬质材料, 耐磨、耐蚀、密封性能好, 使用寿命长。
3. 开启压力很小, 阀瓣在很小的压差下就能完全打开。
4. 阀瓣关闭快速, 水锤压力小。
5. 水平或垂直管道均可使用, 安装方便。
6. 零件材质及阀门端面形式、尺寸可根据实际工况或和用户要求合理选配, 满足各种工程需要。

Main structural features:

1. Short length, small volume and light weight.
2. Hard material welded sealing surface, which is wearing resistant, erosion proof, abrasion proof and long-lived.
3. With a small starting pressure, the valve discs can be fully opened under a very small pressure difference.
4. Fast discs closing and small water hammer pressure.
5. Convenient installation and applicability on both level and vertical pipes.
6. Different materials for the parts, sizes and forms of the valves surfaces are available for free combination according to the working facts and the customer's requirements.

产品规格 Products specification

型号 Model	压力 Pressure	公称通径 Nominal size (mm/in)											
		DN	15	20	25	32	40	50	65	80	100	125	150
H1a3R	1.0MPa	NPS	1/2	3/4	1	1 1/4	1 1/2	2	2 1/2	3	4	5	6
H1(2)a3AR	1.0/1.6MPa	☆	☆	☆	☆	☆	☆	☆	☆	☆	☆	☆	☆
H3a3AR	2.5MPa	☆	☆	☆	☆	☆	☆	☆	☆	☆	☆	☆	☆
H4a3AF	4.0MPa	☆	☆	☆	☆	☆	☆	☆	☆	☆	☆	☆	☆
H5a3AF	6.4MPa	☆	☆	☆	☆	☆	☆	☆	☆	☆	☆	☆	☆
H6a3AJ	10.0MPa	☆	☆	☆	☆	☆	☆	☆	☆	☆	☆	☆	☆
H7a3AJ	16.0MPa	☆	☆	☆	☆	☆	☆	☆	☆	☆	☆	☆	☆
H23AR	Class 150	☆	☆	☆	☆	☆	☆	☆	☆	☆	☆	☆	☆
H33AR	Class 300	☆	☆	☆	☆	☆	☆	☆	☆	☆	☆	☆	☆
H53AJ	Class 600	☆	☆	☆	☆	☆	☆	☆	☆	☆	☆	☆	☆
H73AJ	Class 900	☆	☆	☆	☆	☆	☆	☆	☆	☆	☆	☆	☆

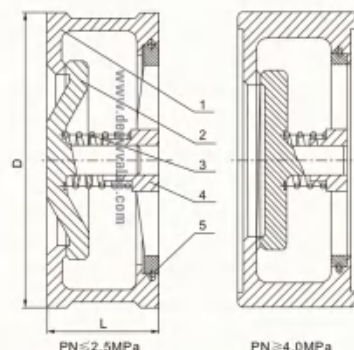
产品性能规范 Products performance specification

压力等级 Pressure grade	1.6~16.0MPa		Class150~900		
试验压力(Mpa) Test pressure	强度试验 Shell test	1.5xPN			
	密封试验 Sealing test	1.1xPN			
工作温度 Working temperature	-46℃~+425℃				
工作介质 Working Medium	水、油品、天然气、腐蚀性介质等 Water, oil, natural gas, corrosive medium, etc.				

注: PN为主体材料在38℃时允许的额定工作压力
Note: PN is requested pressure for the body material under the 38℃.

Wafer type piston-lift check valve

对夹连接 升降式止回阀



技术规范 Technical specification

设计标准 Design Standard	GB/T 12224
结构长度 Face to Face	GB/T 15188.2
连接法兰 Flanged Ends	JB/T 79
试验和检验 Test & Inspection	JB/T 9092

*注: 系列阀门连接法兰尺寸可根据用户要求设计制造。
Notes: The sizes of serial valve connecting flange can be designed according to customers requirement.

主要零件材质 Form of major parts materials

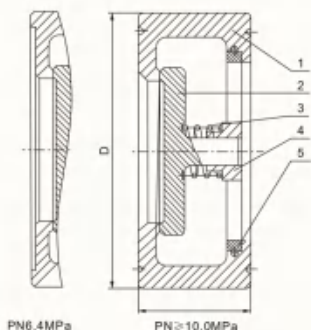
序号 No.	零件名称 Part Name	材质 Material
1	阀体 Body	WCB, CF8, CF8M, CF8C, CF3, CF3M
2	阀瓣 Disc	WCB, CF8, CF8M, CF8C, CF3, CF3M
3	弹簧 Spring	4Cr13, 6Cr2Mn 1Cr18Ni9Ti, 0Cr18Ni2Mo2Ti
4	压板 Plate	WCB, CF8, CF8M, CF8C, CF3, CF3M
5	挡圈 Lock ring	4Cr13, 6Cr2Mn 1Cr18Ni9Ti, 0Cr18Ni2Mo2Ti

尺寸及重量 Size & weight

型号 Model	H1(2)a3,R-CC10、CS30											
压力 Pressure	1.0, 1.6MPa											
Size (mm)	15	20	25	32	40	50	65	80	100	125	150	
L (mm)	16	19	22	28	31.5	40	46	50	60	90	106	
H (mm)	53	63	73	84	94	109	129	144	164	194	220	
重量 Weight (kg)	0.15	0.25	0.4	0.55	0.75	1.2	2.0	2.6	5.7	10	13	
型号 Model	H3a3,R-CC10、CS30											
压力 Pressure	2.5MPa											
Size (mm)	15	20	25	32	40	50	65	80	100	125	150	
L (mm)	16	19	22	28	31.5	40	46	50	60	90	106	
H (mm)	53	63	73	84	94	109	129	144	170	197	220	
重量 Weight (kg)	0.2	0.3	0.45	0.6	0.8	1.2	2.3	3.0	7.0	12	13	
型号 Model	H4a3,F-CC10、CS30											
压力 Pressure	4.0MPa											
Size (mm)	15	20	25	32	40	50	65	80	100	125	150	
L (mm)	25	31.5	35.5	40	45	60	63	71	80	110	125	
H (mm)	63	74	84	90	105	115	140	150	177	213	250	
重量 Weight (kg)	0.3	0.4	0.6	1.0	1.5	2.0	3.2	7.2	11	18	22	

Wafer type piston-lift check valve

对夹连接 升降式止回阀



技术规范 Technical specification

设计标准 Design Standard	GB/T 12224
结构长度 Face to Face	GB/T 15188.2
连接法兰 Flanged Ends	JB/T 79
试验和检验 Test & Inspection	JB/T 9092

*注：系列阀门连接法兰尺寸可根据用户要求设计制造。
Notes: The sizes of serial valve connecting flange can be designed according to customer's requirement.

主要零件材质 Form of major parts materials

序号 No.	零件名称 Part Name	材质 Material
1	阀体 Body	WCB CF8, CF8M, CF8C, CF3, CF3M
2	阀瓣 Disc	WCB CF8, CF8M, CF8C, CF3, CF3M
3	弹簧 Spring	4Cr13, 60Si2Mn 1Cr18Ni9Ti, 0Cr18Ni12Mo2Ti
4	压板 Plate	WCB CF8, CF8M, CF8C, CF3, CF3M
5	挡圈 Lock ring	4Cr13, 60Si2Mn 1Cr18Ni9Ti, 0Cr18Ni12Mo2Ti

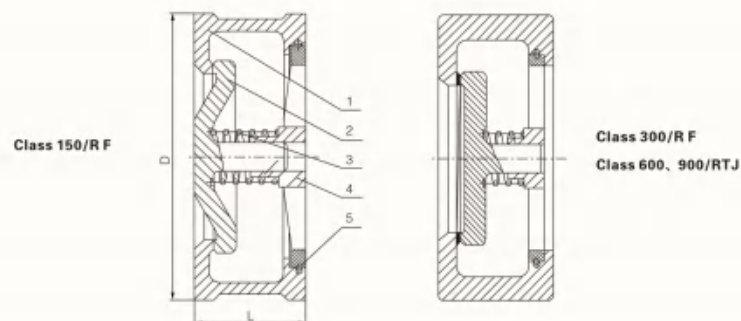
尺寸及重量 Size & weight

PN6.4~16.0MPa

型号 Model	H5a3,F-CC10, CS30										
压力 Pressure	6.4MPa										
Size (mm)	15	20	25	32	40	50	65	80	100	125	150
L (mm)	25	31.5	35.5	40	45	56	63	71	80	110	125
H (mm)	63	74	84	90	105	115	140	150	177	213	250
重量 Weight (Kg)	0.3	0.4	0.6	1.0	1.5	2.0	3.2	7.2	11	18	22
型号 Model	H6a3AJ-CC10, CS30										
压力 Pressure	10.0MPa										
Size (mm)	15	20	25	32	40	50	65	80	100	125	150
L (mm)	25	31.5	35.5	40	45	56	63	71	80	110	125
H (mm)	63	74	84	90	105	122	147	157	183	220	260
重量 Weight (Kg)	0.3	0.4	0.6	1.0	1.5	2.2	3.5	7.5	12	18	24
型号 Model	H7a3AJ-CC10, CS30										
压力 Pressure	16.0MPa										
Size (mm)	15	20	25	32	40	50	65	80	100	125	150
L (mm)	25	31.5	35.5	40	45	56	63	71	80	110	125
H (mm)	59	70	80	93	101	143	163	178	210	249	282
重量 Weight (Kg)	0.3	0.4	0.6	1.0	1.5	2.2	3.5	7.5	12	19	24

Wafer type piston-lift check valve

对夹连接 升降式止回阀



技术规范 Technical specification

设计标准 Design Standard	API 594
结构长度 Face to Face	ASME B16.10
连接法兰 Flanged Ends	ASME B16.5
试验和检验 Test & Inspection	API 598

*注：系列阀门连接法兰尺寸可根据用户要求设计制造。
Notes: The sizes of serial valve connecting flange can be designed according to customer's requirement.

主要零件材质 Form of major parts materials

序号 No.	零件名称 Part Name	材质 Material
1	阀体 Body	ASTM A216-WCB, ASTM A352-LCB ASTM A351-CF8, CF8M, CF8C, CF3, CF3M
2	阀瓣 Disc	ASTM A216-WCB, ASTM A352-LCB ASTM A351-CF8, CF8M, CF8C, CF3, CF3M
3	弹簧 Spring	ASTM A520, ASTM A519 ASTM A182-F304, F316, F321, F304L, F316L
4	压板 Plate	ASTM A216-WCB, ASTM A350-F2 ASTM A351-CF8, CF8M, CF8C, CF3, CF3M
5	挡圈 Lock ring	ASTM A520, ASTM A519 ASTM A182-F304, F316, F321, F304L, F316L

尺寸及重量 Size & weight

Class150~900

型号 Model	H23AR-CC10, CS30										H33AR-CC10, CS30									
Class	150										300									
Size	mm 15 20 25 32 40 50 65 80 100 125 150	15 20 25 32 40 50 65 80 100 125 150	in 1/2 3/4 1 1 1/4 1 1/2 2 2 1/2 3 4 5 6	1/2 3/4 1 1 1/4 1 1/2 2 2 1/2 3 4 5 6																
L(mm)	16 19 22 28 31.5 40 46 50 60 90 106	25 31.5 35.5 40 45 56 63 71 80 110 125	47 57 66 75 85 103 122 135 173 196 222	53 65 72 81 95 110 129 148 180 215 250																
H(mm)	0.2 0.3 0.45 0.6 0.8 1.2 2.3 3.0 7.0 12 15	0.23 0.36 0.52 0.75 1.1 1.95 2.9 5.5 9.0 15 20																		
重量 Weight (Kg)																				
型号 Model	H53AJ-CC10, CS30										H73AJ-CC10, CS30									
Class	600										900									
Size	mm 15 20 25 32 40 50 65 80 100 125 150	15 20 25 32 40 50 65 80 100 125 150	in 1/2 3/4 1 1 1/4 1 1/2 2 2 1/2 3 4 5 6	1/2 3/4 1 1 1/4 1 1/2 2 2 1/2 3 4 5 6																
L(mm)	25 31.5 35.5 40 45 56 63 71 80 110 125	25 31.5 35.5 40 45 56 63 71 80 110 125	53 65 72 81 95 110 129 148 192 240 265	63 69 78 88 98 142 164 167 205 247 288																
H(mm)																				
重量 Weight (Kg)	0.25 0.38 0.55 0.8 1.2 2.0 2.0 6.0 10 17 22	0.3 0.4 0.6 1.0 1.5 2.5 4.0 8.0 13 20 25																		

Forged steel check valve

锻钢止回阀

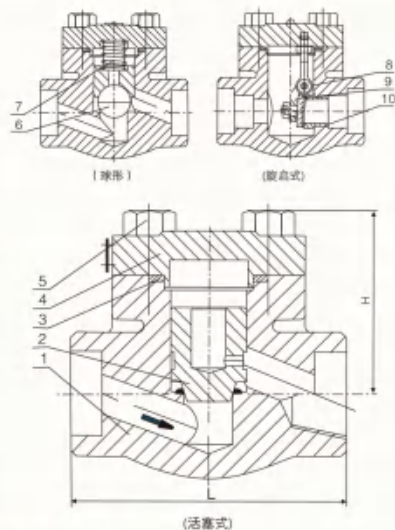


技术规范 Technical specification

结构形式 Structural Formation	BC-SWING, BC-PISTON-LFT
设计标准 Design Standard	ASME B16.34, BS 5352
螺纹端 Thread Ends	ASME B1.20.1
承插焊端 Socket Welded Ends	ASME B16.11
试验和检验 Test & Inspection	API 598

主要零件材质 Form of major parts materials

序号 No.	零件名称 Part Name	材质 Material
1	阀体 Body	ASTM A105 ASTM A350-LF2 ASTM A182-F11, F22, F5, F9 ASTM A182-F304, F316, F321, F304L, F316L
2	阀瓣 Disc	ASTM A105 ASTM A350-LF2 ASTM A182-F11, F22, F5, F9 ASTM A182-F304, F316, F321, F304L, F316L
3	垫片 Gasket	柔性石墨 + 不锈钢 Graphite & stainless steel
4	阀盖 Bonnet	ASTM A105 ASTM A350-LF2 ASTM A182-F11, F22, F5, F9 ASTM A182-F304, F316, F321, F304L, F316L
5	螺栓 Bolt	ASTM A193-B7, A320-B8, A193-88M A193-L7
6	球 Ball	ASTM A105 ASTM A350-LF2 ASTM A182-F11, F22, F5, F9 ASTM A182-F304, F316, F321, F304L, F316L
7	弹簧 Spring	ANSI 9260, AISI 6150 ASTM A182-F304, F316, F321, F304L, F316L
8	销轴 Pin	ASTM A182-F6a, ASTM A182-F22 ASTM A182-F304, F316, F321, F304L, F316L
9	摇杆 Arm	ASTM A105 ASTM A350-LF2 ASTM A182-F11, F22, F5, F9 ASTM A182-F304, F316, F321, F304L, F316L
10	阀座 Seat	ASTM A105 ASTM A182-F11, F22, F5, F9 ASTM A182-F304, F316, F321, F304L, F316L



尺寸及重量 Size & weight

Class 1500

型号 Model	H81S(T)FS-C10, H81S(T)FS-A20, H81S(T)FS-S30(旋启式)						
Class	1500						
Size	口径 Reduced bore mm(in)	15(1/2)	20(3/4)	25(1)	32(1 1/4)	40(1 1/2)	50(2)
	全径 Full bore mm(in)	10(3/8)	15(1/2)	20(3/4)	25(1)	32(1 1/4)	40(1 1/2)
L (mm)	111	111	120	140	140	160	220
H (mm)	79	79	96	105	120	140	160
重量 Weight(Kg)	3.3	3.6	4.3	6.0	8.7	12.5	16.0
型号 Model	H82S(T)FS-C10, H82S(T)FS-A20, H82S(T)FS-S30(活塞式、球形)						
Class	2500						
Size	口径 Reduced bore mm(in)	15(1/2)	20(3/4)	25(1)	32(1 1/4)	40(1 1/2)	50(2)
	全径 Full bore mm(in)	10(3/8)	15(1/2)	20(3/4)	25(1)	32(1 1/4)	40(1 1/2)
L (mm)	111	111	130	150	172	220	130
H (mm)	79	79	96	105	120	140	160
重量 Weight(Kg)	3.0	3.5	4.7	7.0	10.5	14.5	16.5

Forged steel check valve

锻钢止回阀

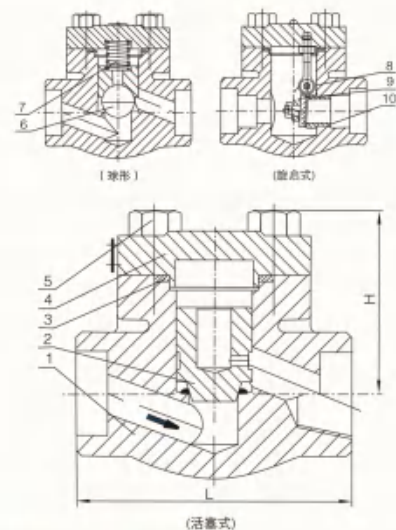


技术规范 Technical specification

结构形式 Structural Formation	BC-SWING, BC-PISTON-LFT
设计标准 Design Standard	ASME B16.34, BS 5352
螺纹端 Thread Ends	ASME B1.20.1
承插焊端 Socket Welded Ends	ASME B16.11
试验和检验 Test & Inspection	API 598

主要零件材质 Form of major parts materials

序号 No.	零件名称 Part Name	材质 Material
1	阀体 Body	ASTM A105 ASTM A350-LF2 ASTM A182-F11, F22, F5, F9 ASTM A182-F304, F316, F321, F304L, F316L
2	阀瓣 Disc	ASTM A105 ASTM A350-LF2 ASTM A182-F11, F22, F5, F9 ASTM A182-F304, F316, F321, F304L, F316L
3	垫片 Gasket	柔性石墨 + 不锈钢 Graphite & stainless steel
4	阀盖 Bonnet	ASTM A105 ASTM A350-LF2 ASTM A182-F11, F22, F5, F9 ASTM A182-F304, F316, F321, F304L, F316L
5	螺栓 Bolt	ASTM A193-B7, A320-B8, A193-88M A193-L7
6	球 Ball	ASTM A105 ASTM A350-LF2 ASTM A182-F11, F22, F5, F9 ASTM A182-F304, F316, F321, F304L, F316L
7	弹簧 Spring	ANSI 9260, AISI 6150 ASTM A350-LF2 ASTM A182-F304, F316, F321, F304L, F316L
8	销轴 Pin	ASTM A182-F6a, ASTM A182-F22 ASTM A182-F304, F316, F321, F304L, F316L
9	摇杆 Arm	ASTM A105 ASTM A350-LF2 ASTM A182-F11, F22, F5, F9 ASTM A182-F304, F316, F321, F304L, F316L
10	阀座 Seat	ASTM A105 ASTM A350-LF2 ASTM A182-F11, F22, F5, F9 ASTM A182-F304, F316, F321, F304L, F316L



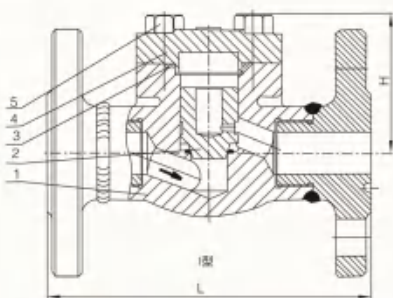
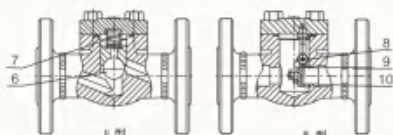
尺寸及重量 SIZE & WEIGHT

Class 800

型号 Model	H61S(T)-C10, H61S(T)-A20, H61S(T)-S30(旋启式)						
Class	800						
Size	口径 Reduced bore mm(in)	15(1/2)	20(3/4)	25(1)	32(1 1/4)	40(1 1/2)	50(2)
	全径 Full bore mm(in)	10(3/8)	15(1/2)	20(3/4)	25(1)	32(1 1/4)	40(1 1/2)
L (mm)	80	92	111	120	120	140	170
H (mm)	61	61	78	85	103	119	132
重量 Weight(Kg)	1.0	1.1	1.8	3.2	4.5	7.3	9.8
型号 Model	H62S(T)-C10, H62S(T)-A20, H62S(T)-S30(活塞式、球形)						
Class	800						
Size	口径 Reduced bore mm(in)	15(1/2)	20(3/4)	25(1)	32(1 1/4)	40(1 1/2)	50(2)
	全径 Full bore mm(in)	10(3/8)	15(1/2)	20(3/4)	25(1)	32(1 1/4)	40(1 1/2)
L (mm)	80	92	111	120	152	172	200
H (mm)	61	61	78	85	103	119	132
重量 Weight(Kg)	1.2	1.4	2.5	3.9	5.5	8.9	12.5

Forged steel check valve

锻钢止回阀



技术规范 Technical specification

结构形式 Structural Formation	BC-SWING, BC-PISTON-LIFT
设计标准 Design Standard	ASME B16.34, BS 5352
结构长度 Structural Length	ASME B16.10
连接法兰 Flanged Ends	ASME B16.5
试验和检验 Test & Inspection	API 598

主要零件材质 Form of major parts materials

序号 No.	零件名称 Part Name	材质 Material
1	阀体 Body	ASTM A105 ASTM A350-LF2 ASTM A182-F11, F22, F5, F9 ASTM A182-F304, F316, F321, F304L, F316L
2	阀瓣 Disc	ASTM A105 ASTM A350-LF2 ASTM A182-F11, F22, F5, F9 ASTM A182-F304, F316, F321, F304L, F316L
3	垫片 Gasket	柔性石墨+不锈钢 Graphite & stainless steel
4	阀盖 Bonnet	ASTM A105 ASTM A350-LF2 ASTM A182-F11, F22, F5, F9 ASTM A182-F304, F316, F321, F304L, F316L
5	螺栓 Bolt	ASTM A193-B7, A320-B8, A193-B8M A193-L7
6	球 Ball	ASTM A105 ASTM A350-LF2 ASTM A182-F11, F22, F5, F9 ASTM A182-F304, F316, F321, F304L, F316L
7	弹簧 Spring	AS19260, AS16150 ASTM A182-F304, F316, F321, F304L, F316L
8	销轴 Pin	ASTM A182-F6a, ASTM A182-F22 ASTM A182-F304, F316, F321, F304L, F316L
9	摇杆 Arm	ASTM A105 ASTM A182-F11, F22, F5, F9 ASTM A182-F304, F316, F321, F304L, F316L
10	阀座 Seat	ASTM A105 ASTM A350-LF2 ASTM A182-F11, F22, F5, F9 ASTM A182-F304, F316, F321, F304L, F316L

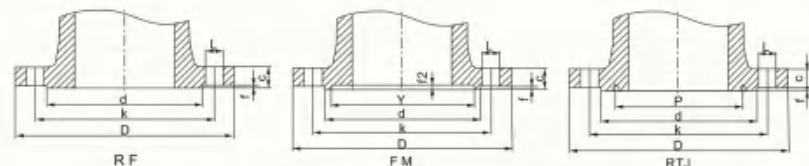
尺寸及重量 SIZE & WEIGHT

Class 150, 300, 600

型号 Model	H21(2)R(J) -C10, H21(2)R(J)-A20, H21(2)R(J)-S30					
Class	150					
Size mm(in)	15(1/2)	20(3/4)	25(1)	32(1 1/4)	40(1 1/2)	50(2)
L (mm)	RF	108	117.5	127	140	203
	RTJ	119	130	140	153	216
H (mm)	60	60	76	85	103	118
重量 Weight (I, II, III) (Kg)	2.5(2.5)	3.3(3.4)	4.8(4.4)	7.0(8.2)	7.5(8.9)	11.0(12.5)
型号 Model	H31(2)R(J) -C10, H31(2)R(J)-A20, H31(2)R(J)-S30					
Class	300					
Size mm(in)	15(1/2)	20(3/4)	25(1)	32(1 1/4)	40(1 1/2)	50(2)
L (mm)	RF	152.5	178	203	216	228.5
	RTJ	163.5	191	216	229	241
H (mm)	60	60	76	85	103	118
重量 Weight (I, II, III) (Kg)	2.5(2.7)	3.5(3.5)	5.0(4.8)	7.5(8.8)	7.9(9.8)	11.6(13.5)
型号 Model	H51(2)R(J) -C10, H51(2)R(J)-A20, H51(2)R(J)-S30					
Class	600					
Size mm(in)	15(1/2)	20(3/4)	25(1)	32(1 1/4)	40(1 1/2)	50(2)
L (mm)	RF	165	191	216	229	241
	RTJ	163.5	190.5	216	229	241
H (mm)	60	60	76	85	103	118
重量 Weight (I, II, III) (Kg)	2.8(3.0)	4.2(4.1)	5.2(5.8)	7.7(9.5)	9.3(10.0)	13.2(15.5)

Integral steel pipe flange

整体钢制管法兰



PN1.6, 2.5MPa RF JB/T 79.1

PN1.6MPa RF							PN2.5MPa RF							
DN	D	K	L	螺栓(Bolt)-Th	d	f	DN	D	K	L	螺栓(Bolt)-Th	d	f	C
50	165	125	18	4-M16	100	3	65	185	145	18	8-M16	118	3	22
65	185	145	18	4-M16	120	3	80	200	160	18	8-M16	132	3	22
80	200	160	18	8-M16	135	3	100	230	190	23	8-M20	156	3	24
100	220	180	18	8-M16	155	3	125	270	220	26	8-M24	184	3	28
125	250	210	18	8-M16	185	3	150	285	240	23	8-M20	211	3	30
150	285	240	23	8-M20	210	3	200	360	310	26	12-M24	274	3	34
200	340	295	23	12-M20	265	3	250	425	370	30	12-M27	330	3	36
250	405	355	26	12-M24	320	3	300	485	430	30	16-M27	389	4	40
300	460	410	26	12-M24	375	4	350	555	490	34	16-M30	448	4	44
350	520	470	26	16-M24	435	4	400	620	550	36	16-M33	503	4	48
400	580	525	30	16-M27	485	4	450	670	600	36	20-M33	548	4	50
450	640	585	30	20-M27	545	4	500	715	650	30	20-M30	608	4	44

PN4.0, 6.3MPa FM JB/T 79.2

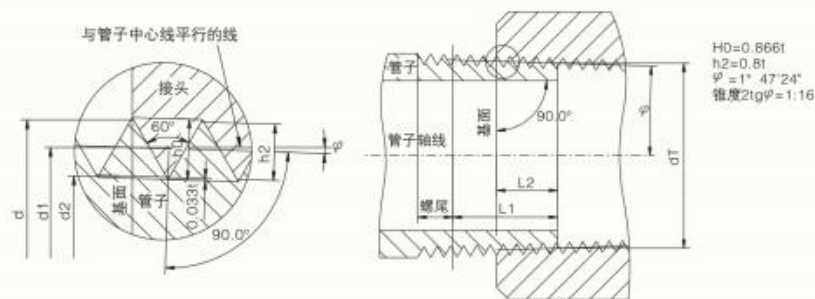
PN4.0MPa FM														PN6.3MPa FM													
DN	D	K	L	螺栓(Bolt)-Th	d	Y	f	f2	C	DN	D	K	L	螺栓(Bolt)-Th	d	Y	f	f2	C								
50	165	125	18	4-M16	100	88	3	4	20	50	180	135	23	4-M20	105	88	3	4	26								
65	185	145	18	8-M16	120	110	3	4	22	65	205	160	23	8-M20	130	110	3	4	28								
80	200	160	18	8-M16	125	121	3	4	22	80	215	170	23	8-M20	140	121	3	4	30								
100	235	190	23	8-M20	160	150	3	4.5	24	100	250	200	26	8-M24	168	150	3	4.5	32								
125	270	220	26	8-M24	188	176	3	4	28	125	295	240	30	8-M27	202	176	3	4.5	36								
150	300	250	26	8-M24	218	204	3	4	30	150	345	280	34	8-M30	240	204	3	4.5	38								
200	375	320	30	12-M27	282	260	3	4	38	200	405	345	36	12-M33	300	260	3	4.5	44								
250	450	385	34	12-M30	345	313	3	4	42	250	470	400	36	12-M33	352	313	3	4.5	48								
300	515	450	34	16-M30	408	364	4	4	46	300	530	460	36	16-M33	412	364	4	4.5	54								
350	580	510	36	16-M33	465	422	4	5	52	350	600	525	41	16-M36	475	422	4	5	60								
400	660	585	41	16-M36	535	474	4	5	58	400	670	585	42	16-M39	525	474	4	5	66								
450	685	610	41	20-M36	560	524	4	5	60	450	-	-	-	-	-	-	-	-	-								
500	755	670	42	20-M39	612	576	4	5	62	500	800	705	48	20-M45	640	576	4	5	70								

PN10.0, 16.0MPa RTJ JB/T 79.4

PN10.0MPa RTJ										PN16.0MPa RTJ									
DN	D	K	L	螺栓(Bolt)-Th	d	P	f	f	C	DN	D	K	L	螺栓(Bolt)-Th	d	P	f	f	C
50	195	145	26	4-M24	112	85	8	8	28	50	215	165	25	8-M22	132	95	8	8	36
65	220	170	26	8-M24	138	110	8	8	32	65	245	190	30	8-M27	152	110	8	8	44
80	230	180	26	8-M24	148	115	8	8	34	80	260	205	30	8-M27	168	130	8	8	46
100	265	210	30	8-M27	172	145	8	8	38	100	300	240	34	8-M30	200	160	8	8	48
125	315	250	34	8-M30	210	175	8	8	42	125	355	285	41	8-M36	238	190	8	8	60
150	355	290	34	12-M30	250	205	8	8	46	150	390	318	41	12-M36	270	205	10	8	66
200	430	360	36	12-M33	312	265	8	8	54	200	480	400	48	12-M42	345	275	11	8	78
250	505	430	41	13-M36	382	320	8	8	60	250	580	485	54	12-M48	425	330	11	8	88
300	585	500	42	16-M39	442	375	8	8	70	300	665	570	54	16-M48	510	380	11	10	100

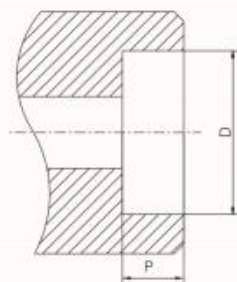
Tables

附表



锥管螺纹 National taper pipe thread ASME B1.20.1

公称直径 Nominal size	每英寸牙数 Threads Per Inch	螺距 Pitch of thread	螺纹长度 Thread length	基面上的螺纹直径 DIA at reference surface			管端螺纹内径 Boat DIA of the pipe thread	工作高度 Height		
in	mm	n	p	L1	L2	d	d1	d2	dT	h1
3/8	10	18	1.411	10.5	6.096	17.055	15.926	14.797	14.416	1.129
1/2	15	14	1.814	13.5	8.128	21.223	19.772	18.321	17.813	1.451
3/4	20	14	1.814	14	8.611	26.568	25.117	23.666	23.128	1.4851
1	25	11-1/2	2.209	17.5	10.160	33.228	31.461	29.694	29.059	1.767
1 1/4	32	11-1/2	2.209	18	10.668	41.985	40.218	38.451	37.784	1.767
1 1/2	40	11-1/2	2.209	18.5	10.668	48.054	46.287	44.520	43.853	1.767
2	50	11-1/2	2.209	19	11.074	60.092	58.325	56.558	55.866	1.767

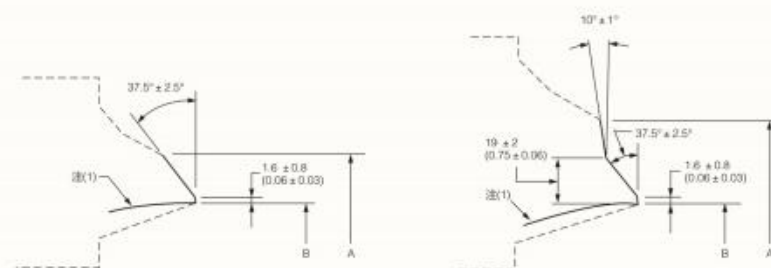


承插焊端 Socket welded ends ASME B16.11

公称直径 Nominal Size	in	3/8	1/2	3/4	1	1 1/4	1 1/2	2
mm	10	15	20	25	32	40	50	
D	mm	17.53	21.72	27.05	33.78	42.54	48.64	61.11
Pmin	mm	9.6	9.6	12.7	12.7	12.7	12.7	15.8

Butt-welding ends

对接焊端



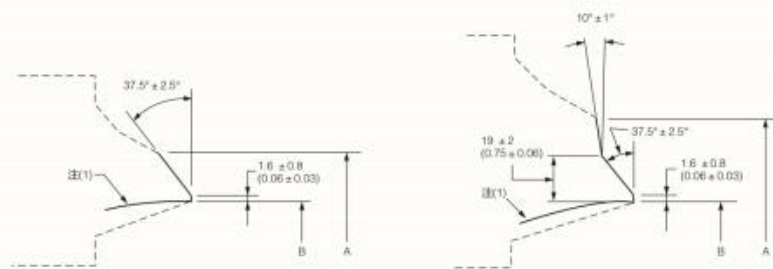
DN65-250

管子公称规格 DN	管壁厚度 系列号 [注(1)]	焊接端部外径 锻造或 加工组件 [注(1)]A	管端 内径 [注(2)]A	B	C[注(3)]	I
65	40	73.0	75	62.5	662.93	5.16
	80	73.0	75	99	59.69	7.01
	160	73.0	75	54	55.28	9.35
	305	73.0	75	46	47.43	14.02
80	40	88.9	91	78	78.25	5.49
	80	88.9	91	73.5	74.53	7.62
	160	88.9	91	66.5	68.38	11.13
	305	88.9	91	58.5	61.19	15.24
90	40	101.6	105	90	90.52	5.74
	80	101.6	105	85.5	86.42	8.08
	40	114.3	117	102	102.73	6.02
	80	114.3	117	97	98.28	8.56
100	120	114.3	117	92	93.78	11.13
	160	114.3	117	87.5	89.65	13.49
	305	114.3	117	80	83.30	17.12
	40	141.3	144	128	128.80	6.55
125	80	141.3	144	122	123.58	9.3
	120	141.3	144	116	118.04	12.70
	160	141.3	144	109.5	112.47	15.88
	305	141.3	144	103	106.92	19.05
150	40	168.3	172	154	154.82	7.11
	80	168.3	172	146.5	148.06	10.97
	120	168.3	172	140	142.29	14.27
	160	168.3	172	132	135.31	18.26
200	305	168.3	172	124.5	128.85	21.95
	40	219.1	223	203	203.75	8.18
	60	219.1	223	196.5	200.02	10.31
	80	219.1	223	193.5	195.84	12.70
250	100	219.1	223	189	191.65	15.09
	120	219.1	223	182.5	186.11	18.26
	140	219.1	223	178	181.98	20.62
	305	219.1	223	174.5	179.16	22.23
300	160	219.1	223	173	177.79	23.01
	40	273.0	278	254.5	255.74	9.27
	60	273.0	278	247.5	249.74	12.70
	80	273.0	278	243	245.55	15.09
350	100	273.0	278	236.5	240.01	18.26
	120	273.0	278	230	234.44	21.44
	140	273.0	278	222	227.51	25.40
	160	273.0	278	216	221.95	28.58

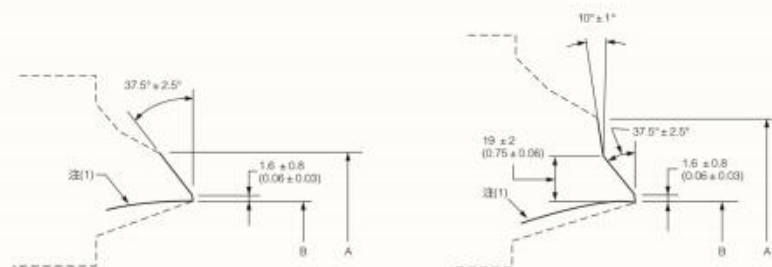
DN300-450

管子公称规格 DN	管壁厚度 系列号 [注(1)]	焊接端部外径 锻造或 加工组件 [注(1)]A	管端 内径 [注(2)]A	B	C[注(3)]	I
300	STD	323.8	329	305	306.08	9.53
	40	323.8	329	303	304.72	10.31
	XS	323.8	329	298.5	300.54	12.70
	60	323.8	329	295	297.79	14.27
350	80	323.8	329	289	292.17	17.46
	100	323.8	329	281	285.24	21.44
	120	323.8	329	273	278.31	25.40
	140	323.8	329	266.5	272.75	28.58
400	160	323.8	329	257	264.45	33.32
	STD	355.6	362	336.5	337.88	9.53
	40	355.6	362	333.5	335.08	11.13
	XS	355.6	362	330	332.34	12.70
450	60	355.6	362	325.5	328.15	15.09
	80	355.6	362	317.5	321.22	19.05
	100	355.6	362	308	312.86	23.83
	120	355.6	362	300	305.93	27.79
500	140	355.6	362	292	299.00	31.75
	160	355.6	362	284	292.07	35.71
	STD	406.4	413	387.5	388.68	9.53
	40	406.4	413	381	383.14	12.70
550	60	406.4	413	373	376.21	16.66
	80	406.4	413	363.5	367.84	21.44
	100	406.4	413	354	359.53	26.19
	120	406.4	413	344.5	351.18	30.96
600	140	406.4	413	333.5	341.43	36.53
	160	406.4	413	325.5	334.50	40.49
	STD	457.2	464	438	439.48	9.53
	40	457.2	464	432	433.94	12.70
650	XS	457.2	464	428.5	431.19	14.27
	60	457.2	464	419	422.82	19.05
	80	457.2	464	409.5	414.46	23.83
	100	457.2	464	398.5	404.78	29.36
700	120	457.2	464	387.5	395.03	34.93
	140	457.2	464	378	386.77	39.67
	160	457.2	464	366.5	376.99	45.24

Butt-welding ends 对接焊端



Butt-welding ends 对接焊端



DN500-800

管子公称规格 DN	管壁厚度 系列号 [注(1)]	焊接端部外径		B	C[注(3)]	t
		锻造或加工组件 [注(1)]A	铸钢阀门 [注(2)]A			
500	STD	506.0	516	489	490.28	9.53
	XS	506.0	516	482.5	484.74	12.70
	40	506.0	516	478	480.55	15.09
	60	506.0	516	467	470.88	20.62
	80	506.0	516	455.5	461.13	26.19
	100	506.0	516	443	450.02	32.54
	120	506.0	516	432	440.29	38.10
	140	506.0	516	419	429.17	44.45
	160	506.0	516	408	419.44	50.01
	180	506.0	516	408	419.44	50.01
550	STD	558.8	567	539	541.08	9.53
	XS	558.8	567	533	535.54	12.70
	40	558.8	567	514	518.86	22.23
	60	558.8	567	501	507.75	28.58
	80	558.8	567	488.5	496.63	34.93
	100	558.8	567	476	485.52	41.28
	120	558.8	567	463	474.41	47.63
	140	558.8	567	450.5	463.30	53.98
	160	558.8	567	450.5	463.30	53.98
	180	558.8	567	450.5	463.30	53.98
600	STD	609.6	619	590.5	591.88	9.53
	XS	609.6	619	584	586.34	12.70
	30	609.6	619	581	583.59	14.27
	40	609.6	619	574.5	577.97	17.48
	60	609.6	619	560.5	565.49	24.61
	80	609.6	619	547.5	554.38	30.96
	100	609.6	619	532	540.49	38.89
	120	609.6	619	517.5	528.03	46.02
	140	609.6	619	505	516.91	52.37
	160	609.6	619	490.5	504.37	59.54
650	10	660.4	670	645.5	645.50	7.92
	20	660.4	670	635	637.14	12.70
	10	711.2	721	695.5	696.30	7.92
	20	711.2	721	686	687.94	12.70
700	30	711.2	721	679.5	682.37	15.08
	10	762.0	772	746	747.10	7.92
	20	762.0	772	736.5	738.74	12.70
	30	762.0	772	730	733.17	15.88
750	10	812.8	825	797	797.90	7.92
	20	812.8	825	787.5	789.54	12.70
	30	812.8	825	781	783.97	15.88
	40	812.8	825	778	781.17	17.48

DN850-900

管子公称规格 DN	管壁厚度 系列号 [注(1)]	焊接端部外径		B	C[注(3)]	t
		锻造或加工组件 [注(1)]A	铸钢阀门 [注(2)]A			
850	10	863.6	876	848	848.70	7.92
	20	863.6	876	838	840.34	12.70
	30	863.6	876	832	834.77	15.88
	40	863.6	876	828.5	831.97	17.48
900	10	914.4	927	898.5	899.50	7.92
	20	914.4	927	889	891.14	12.70
	30	914.4	927	882.5	885.57	15.88
	40	914.4	927	876.5	880.02	19.05

注: (1) 字母代号为:
(a) STD=标准壁厚
(b) XS=加厚
(c) XXS=特加厚
(2) 所列直径为非要求尺寸, 此处列出为使用者提供方便。
(3) DN50及更小规格连续垫环不考虑内部机加工。

DN65-250

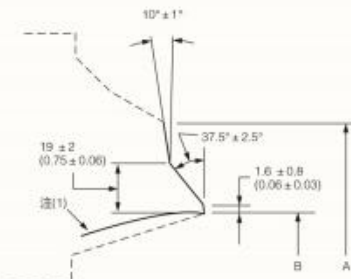
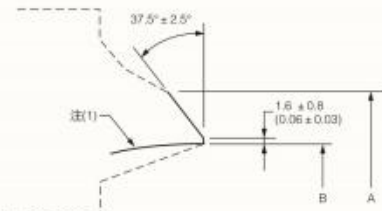
Pipe nominal specification (DN)	Series of pipe schedule thickness [Note(1)]	Welded-end out diameters		B	C[Note(3)]	t
		Forged or manufactured components [Note(1)]A	Casting steel valve [Note(2)]A			
65	40	73.0	75	62.5	662.93	5.16
	80	73.0	75	59	59.69	7.01
	160	73.0	75	54	55.28	9.35
	XXS	73.0	75	45	47.43	14.02
	40	88.9	91	78	78.25	5.49
80	80	88.9	91	73.5	74.53	7.62
	160	88.9	91	66.5	68.38	11.13
	XXS	88.9	91	58.5	61.19	15.24
	40	101.6	105	90	90.52	5.74
	80	101.6	105	85.5	86.42	8.08
100	40	114.3	117	102	102.73	6.02
	80	114.3	117	97	98.28	8.56
	120	114.3	117	92	93.78	11.13
	160	114.3	117	87.5	89.65	13.49
	XXS	114.3	117	80	83.30	17.12
125	40	141.3	144	128	128.80	6.55
	80	141.3	144	122	123.58	9.3
	120	141.3	144	116	118.04	12.70
	160	141.3	144	109.5	112.47	15.88
	XXS	141.3	144	103	106.92	19.05
150	40	168.3	172	154	154.82	7.11
	80	168.3	172	146.5	148.06	10.97
	120	168.3	172	140	142.29	14.27
	160	168.3	172	132	135.31	18.26
	XXS	168.3	172	124.5	128.85	21.95
200	40	219.1	223	203	203.75	8.18
	60	219.1	223	198.5	200.02	10.31
	80	219.1	223	193.5	195.84	12.70
	100	219.1	223	189	191.65	15.09
	120	219.1	223	182.5	186.11	18.26
250	140	219.1	223	178	181.98	20.62
	XXS	219.1	223	174.5	179.16	22.23
	160	219.1	223	173	177.79	23.01
	40	273.0	278	254.5	255.74	9.27
	60	273.0	278	247.5	249.74	12.70
300	80	273.0	278	243	245.55	15.09
	100	273.0	278	236.5	240.01	18.26
	120	273.0	278	230	234.44	21.44
	140	273.0	278	222	227.51	25.40
	160	273.0	278	216	221.95	28.58

DN300-450

Pipe nominal specification (DN)	Series of pipe schedule thickness [Note(1)]	Welded-end out diameters		B	C[Note(3)]	t
		Forged or manufactured components [Note(1)]A	Casting steel valve [Note(2)]A			
300	STD	323.8	329	305	306.08	9.53
	40	323.8	329	303	304.72	10.31
	XS	323.8	329	298.5	300.54	12.70
	60	323.8	329	295	297.79	14.27
	80	323.8	329	289	292.17	17.48
	100	323.8	329	281	285.24	21.44
	120	323.8	329	273	278.31	25.40
	140	323.8	329	266.5	272.75	28.58
	160	323.8	329	257	264.45	33.32
	180	323.8	329	257	264.45	33.32
350	STD	355.6	362	336.5	337.88	9.53
	40	355.6	362	333.5	335.08	11.13
	XS	355.6	362	330	332.34	12.70
	60	355.6	362	325.5	328.15	15.09
	80	355.6	362	317.5	321.22	19.05
	100	355.6	362	308	312.86	23.83
	120	355.6	362	300	305.93	27.79
	140	355.6	362	292	299.00	31.75
	160	355.6	362	284	292.07	35.71
	180	355.6	362	284	292.07	35.71
400	STD	406.4	413	387.5	388.68	9.53
	40	406.4	413	381	383.14	12.70
	60	406.4	413	373	376.21	16.66
	80	406.4	413	363.5	367.84	21.44
	100	406.4	413	354	359.53	26.19
	120	406.4	413	344.5	351.18	30.96
	140	406.4	413	333.5	341.43	36.53
	160	406.4	413	325.5	334.50	40.49
	STD	457.2	464	438	439.48	9.53
	40	457.2	464	432	433.94	12.70
450	XS	457.2	464	428.5	431.19	14.27
	60	457.2	464	419	422.82	19.05
	80	457.2	464	409.5	414.46	23.83
	100	457.2	464	398.5	404.78	29.36
	120	457.2	464	387.5	395.03	34.93
	140	457.2	464	378	386.77	39.67
	160	457.2	464	366.5	376.99	45.24

Butt-welding ends

对接焊端



DN500-800							
Pipe nominal specification (DN)	Series of pipe schedule thickness [Note(1)]	Welded-end out diameters		B	C[Note(3)]	t	
		Forged or manufactured components [Note(1)]A	Casting steel valve [Note(2)]A				
500	STD	508.0	516	489	490.28	9.53	
	XS	508.0	516	482.5	484.74	12.70	
	40	508.0	516	478	480.55	15.09	
	60	508.0	516	467	470.88	20.62	
	80	508.0	516	455.5	461.13	26.19	
	100	508.0	516	443	450.02	32.54	
	120	508.0	516	432	440.29	38.10	
	140	508.0	516	419	429.17	44.45	
	160	508.0	516	408	419.44	50.01	
550	STD	558.8	567	539	541.08	9.53	
	XS	558.8	567	533	535.54	12.70	
	60	558.8	567	514	518.86	22.23	
	80	558.8	567	501	507.75	28.58	
	100	558.8	567	488.5	496.63	34.93	
	120	558.8	567	476	485.52	41.28	
	140	558.8	567	463	474.41	47.63	
	160	558.8	567	450.5	463.30	53.98	
	600	STD	609.6	619	590.5	591.88	9.53
XS		609.6	619	584	586.34	12.70	
30		609.6	619	581	583.59	14.27	
40		609.6	619	574.5	577.97	17.48	
60		609.6	619	560.5	565.49	24.61	
80		609.6	619	547.5	554.38	30.96	
100		609.6	619	532	540.49	38.89	
120		609.6	619	517.5	528.03	46.02	
140		609.6	619	505	516.91	52.37	
160		609.6	619	490.5	504.37	59.54	
650		10	660.4	670	645.5	645.90	7.92
		20	660.4	670	635	637.14	12.70
	10	711.2	721	695.5	696.30	7.92	
700	20	711.2	721	686	687.94	12.70	
	30	711.2	721	679.5	682.37	15.88	
	10	762.0	772	746	747.10	7.92	
750	20	762.0	772	736.5	738.74	12.70	
	30	762.0	772	730	733.17	15.88	
	10	812.8	825	797	797.90	7.92	
800	20	812.8	825	787.5	789.54	12.70	
	30	812.8	825	781	783.97	15.88	
	40	812.8	825	778	781.17	17.48	

DN850-900						
Pipe nominal specification (DN)	Series of pipe schedule thickness [Note(1)]	Welded-end out diameters		B	C[Note(3)]	t
		Forged or manufactured components [Note(1)]A	Casting steel valve [Note(2)]A			
850	10	863.6	876	848	848.70	7.92
	20	863.6	876	838	840.34	12.70
	30	863.6	876	832	834.77	15.88
	40	863.6	876	828.5	831.97	17.48
900	10	914.4	927	898.5	899.50	7.92
	20	914.4	927	889	891.14	12.70
	30	914.4	927	882.5	885.57	15.88
	40	914.4	927	876.5	880.02	19.05

Note:(1) Characters stand for:

(a)STD=Standard schedule thickness

(b)XS=Thickened

(c)XXS=Super thickened

(2)W the diameters are not required size, just be convenient for users.

(3)Gasket rings for DN50 and below size are not considered to manufacture.